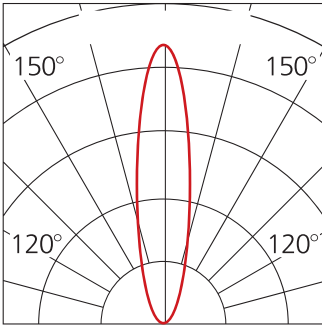
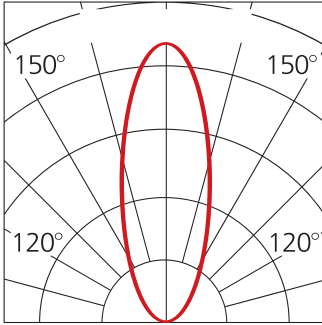


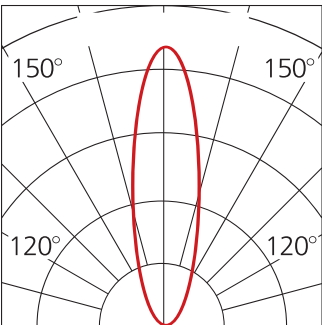
# BEAM ANGLE



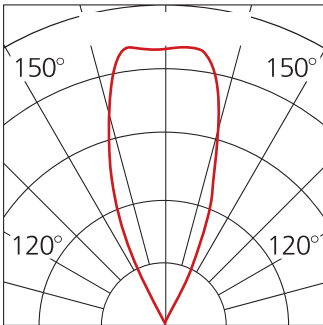
10°



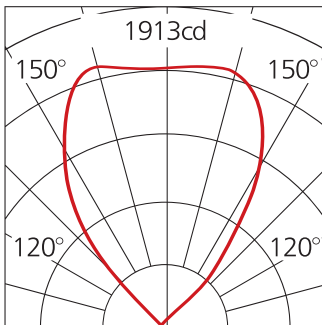
15°



24°



50°



70°

BEAM ANGLE

