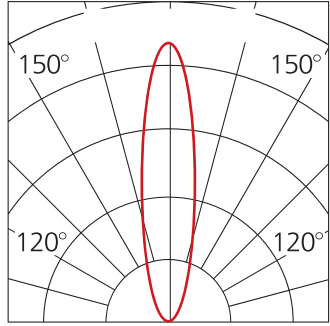
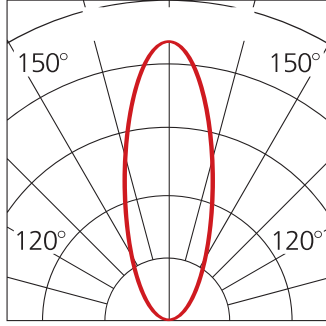


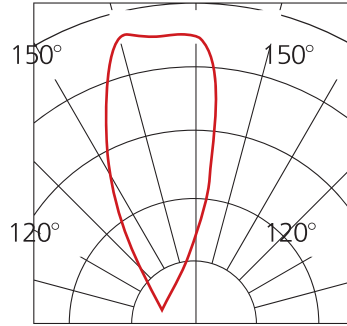
# BEAM ANGLE COB LED



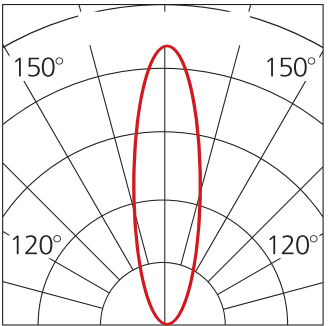
15°



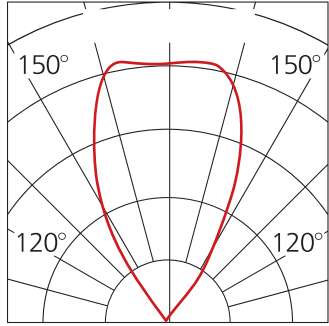
30°



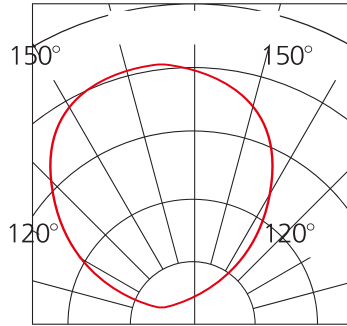
36°



24°

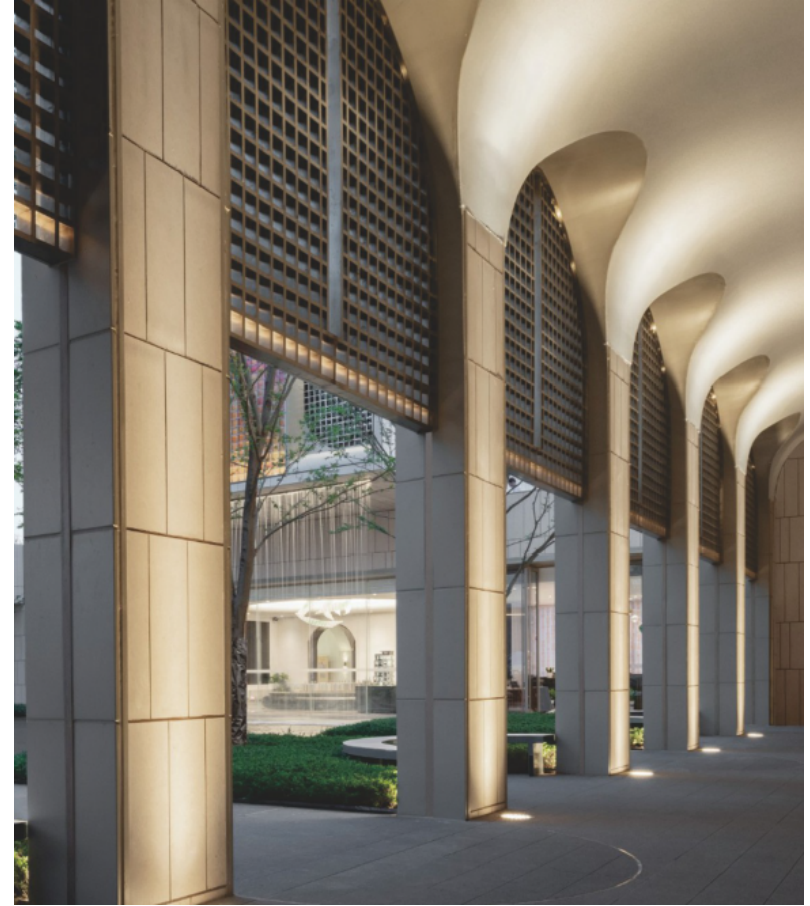


60°



130°

Filter



	Directional luminaire		Uplights		Lens wallwasher
	Narrow spot		Narrow spot		Wallwash
	Spot		Spot		
	Flood		Flood		
	Oval flood		Oval flood		

Directional luminaires for accentuating objects, plants or building details.

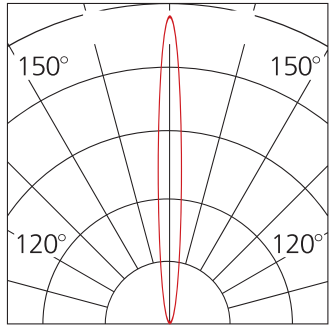
Uplights for precise grazing light on facades or objects.

Lens wallwashers for an exceptionally uniform brightness distribution on vertical surfaces.

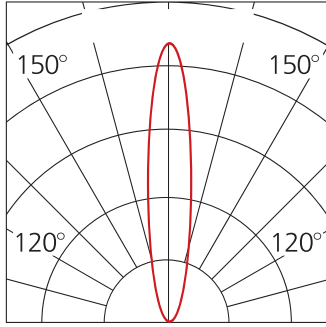
# BEAM ANGLE SMD LED



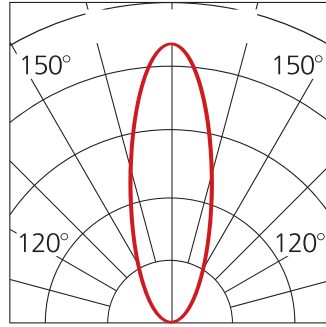
**DIMON**  
TECHNOLOGY



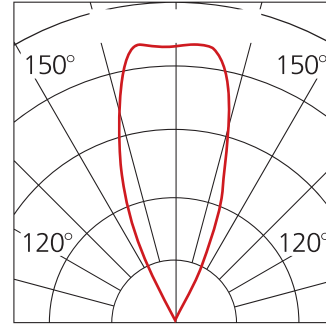
5°



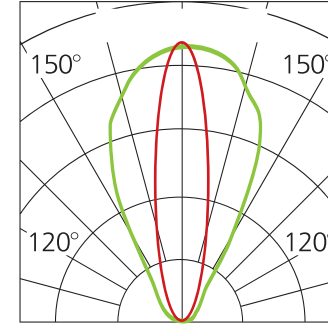
10°



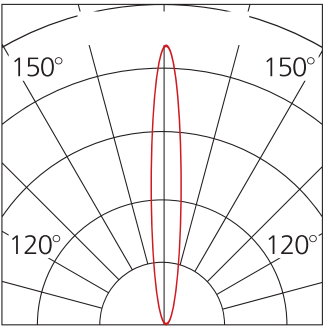
26°



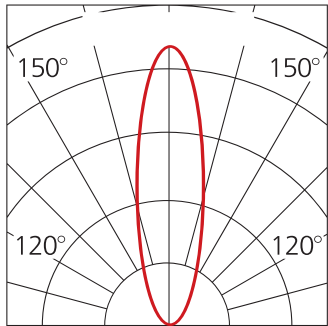
40°



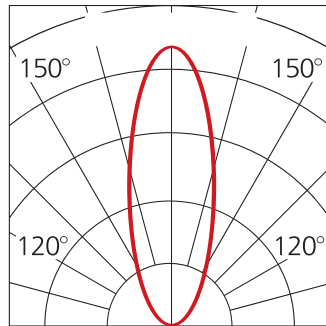
15° x 55°



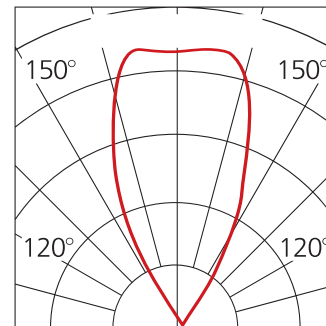
8°



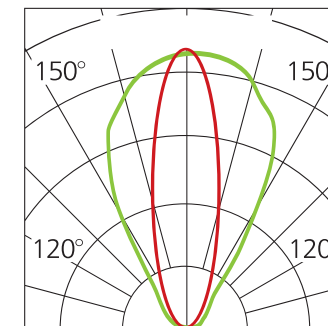
20°



30°



60°



20° x 60°

	Directional luminaire		Uplights		Lens wallwasher
	Narrow spot		Narrow spot		Wallwash
	Spot		Spot		
	Flood		Flood		
	Oval flood		Oval flood		

Directional luminaires for accentuating objects, plants or building details.

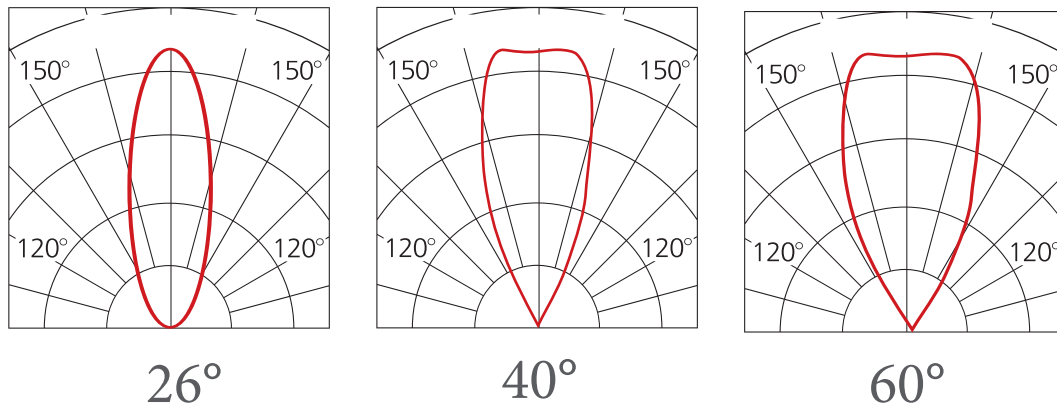
Uplights for precise grazing light on facades or objects.

Lens wallwashers for an exceptionally uniform brightness distribution on vertical surfaces.



# BEAM ANGLE SMD LED

## -Tunable White and RGBW (4in1)



	Directional luminaire		Uplights		Lens wallwasher
	Narrow spot		Narrow spot		Wallwash
	Spot		Spot		
	Flood		Flood		
	Oval flood		Oval flood		
<p>Directional luminaires for accentuating objects, plants or building details.</p>		<p>Uplights for precise grazing light on facades or objects.</p>		<p>Lens wallwashers for an exceptionally uniform brightness distribution on vertical surfaces.</p>	

