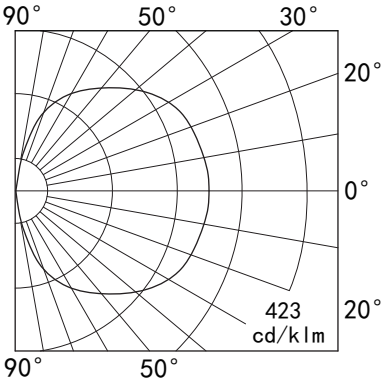
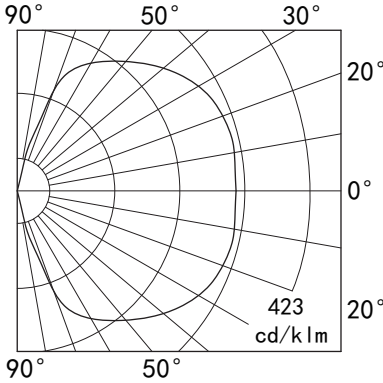


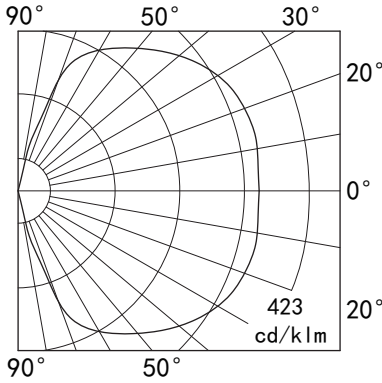
BEAM ANGLE



4W



6W



8W