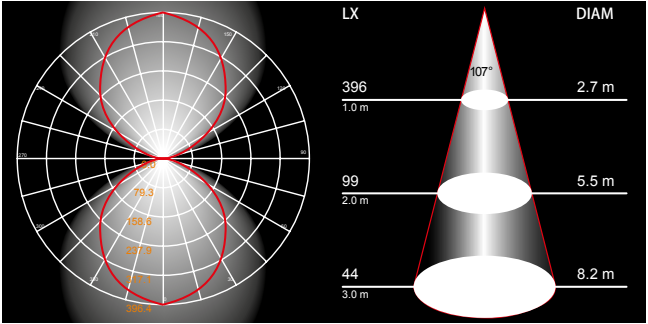
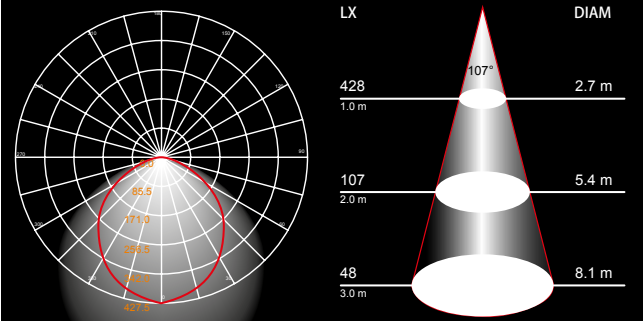


BEAM ANGLE



Up and Down Light



Down Light