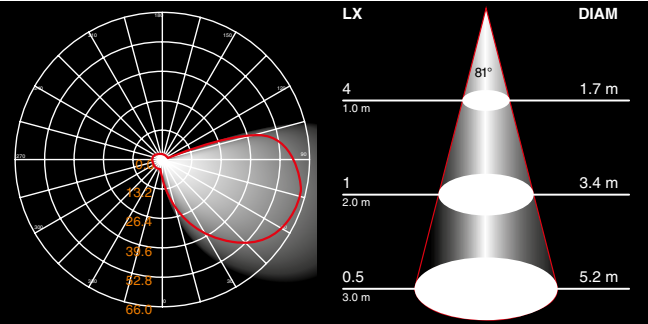
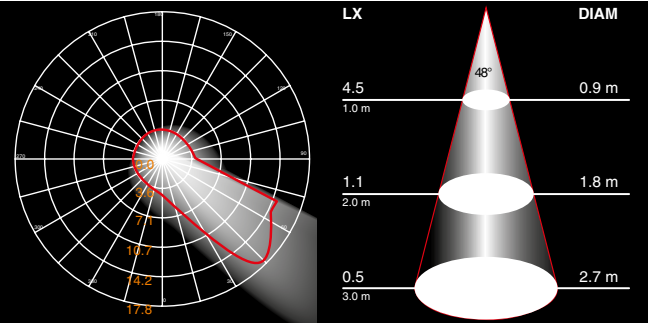


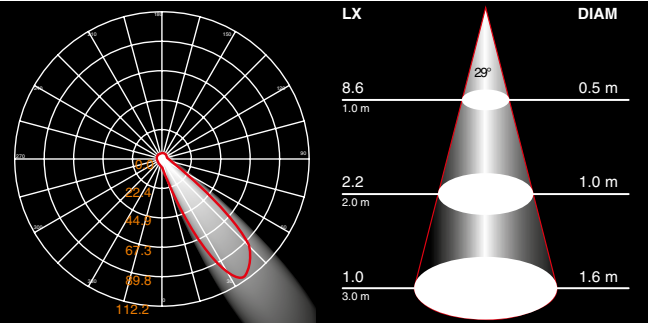
BEAM ANGLE



Cover Type: A



Cover Type: B



Cover Type: C