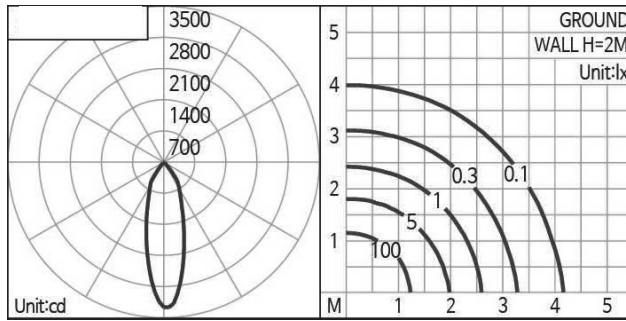


Beam Angle

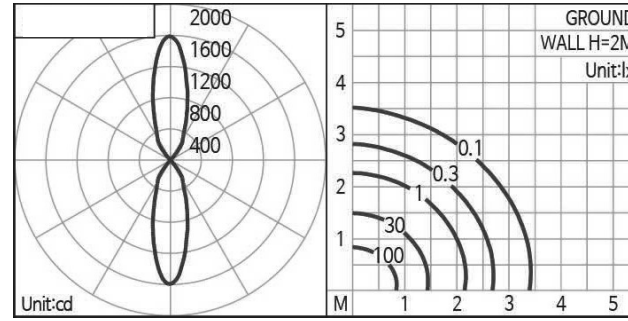
Power Consumption: 15W

25°



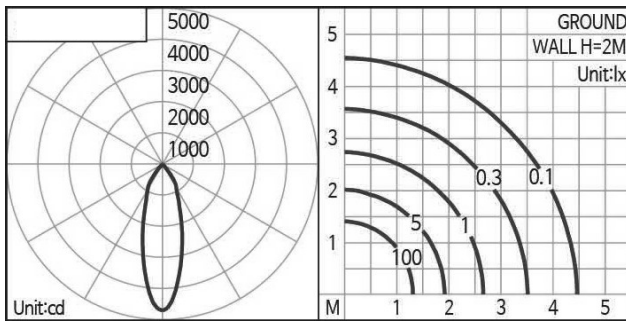
Power Consumption: 14W(7Wx2)

25°



Power Consumption: 20W

25°



Power Consumption: 30W(15Wx2)

25°

