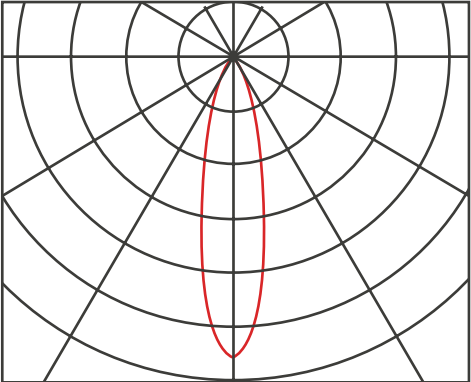
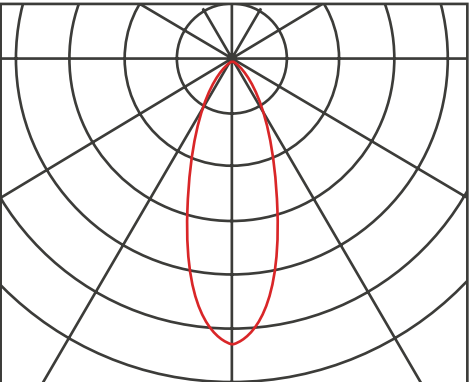


BEAM ANGLE

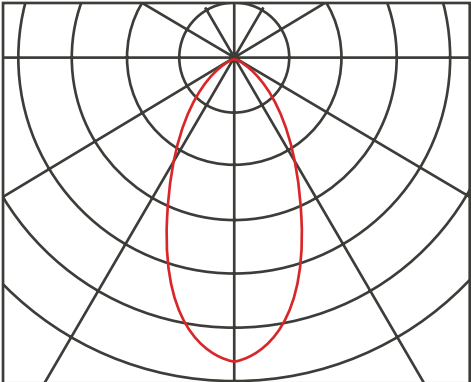
24°



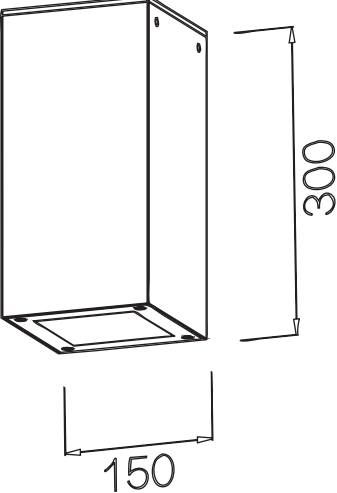
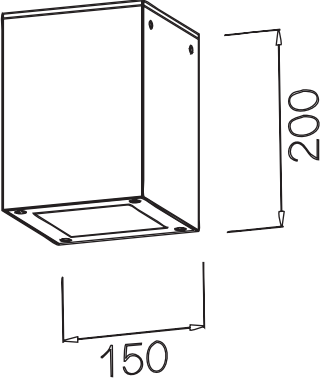
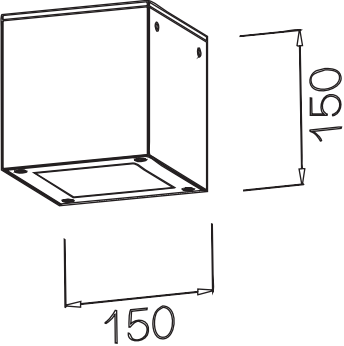
36°



60°



Technical Drawing



Unit: mm