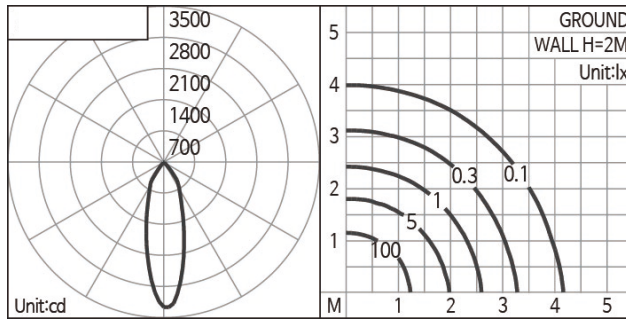


# Beam Angle

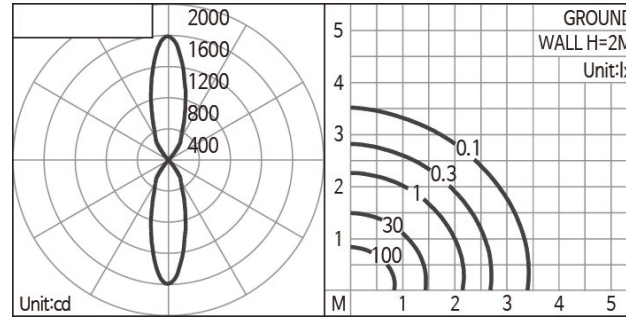
**Power Consumption: 15W**

25°



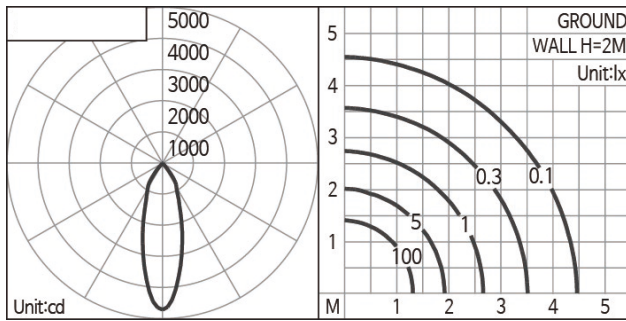
**Power Consumption: 14W(7Wx2)**

25°



**Power Consumption: 20W**

25°



**Power Consumption: 30W(15Wx2)**

25°

