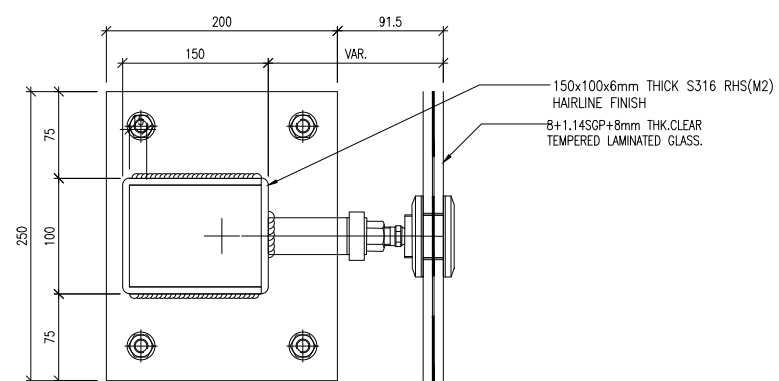


# CHLOE@ SKY118

Drawing Status :
Ref NO.:
Client
Contractor:
Supplier:
<p><b>DIMON</b> Technology</p> <p>DIMON Technology Ltd. Tel: 00852-3916 5876 Fax: 00852-21203398 Http://www.dimontechnology.com E-mail:gary@dimontechnology.com</p>
Project:
Job Title:
Drawing Name:
Drawing NO.: QPBE20034-PL06
Drawing Scale: AS SHOW
Drawing Date: 2020/06/30
Drawing: KP
Collate: Joyi
Auditing: Gray Hui
Drawing Version: 1



1  
DE04 DETAIL

**CHLOE@ SKY118**

Drawing Status :
Ref NO.:
Client
Contractor:
Supplier:
<p><b>DIMON</b> Technology</p> <p><small>DIMON Technology Ltd. Tel: 00852-3916 5876 Fax: 00852-21203398 Http://www.dimontechnology.com E-mail:gary@dimontechnology.com</small></p>
Project:
Job Title:
Drawing Name:
Drawing NO.: QPBE20034-DE04
Drawing Scale: AS SHOW
Drawing Date: 2020/06/30
Drawing: KP
Collate: Joyi
Auditing: Gray Hui
Drawing Version: 1