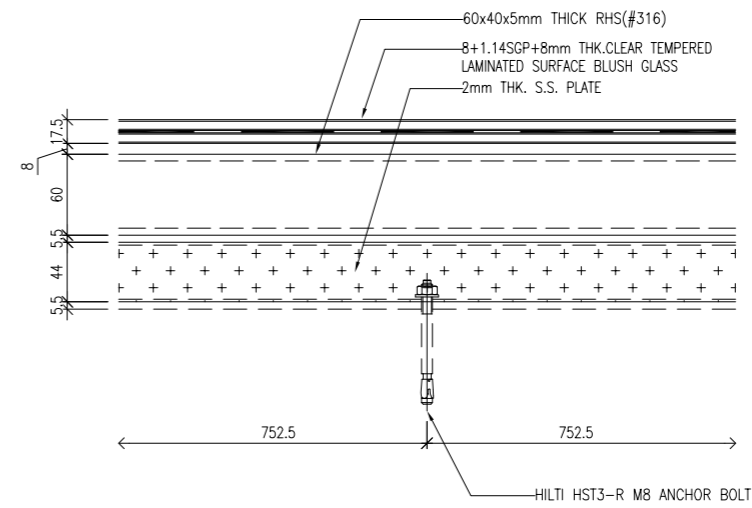
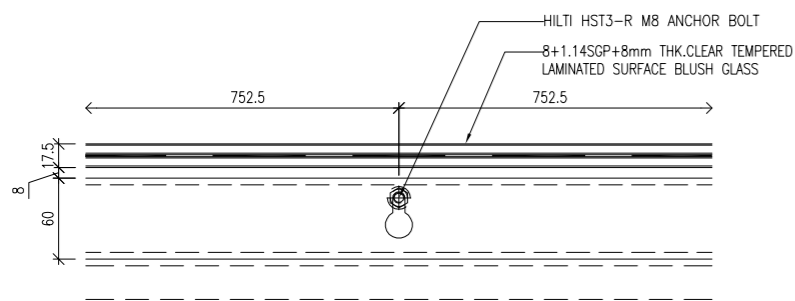


1  
-  
DETAIL  
DE01



2  
-  
SECTION



1  
-  
SECTION

# CHLOE@SKY-STAIR18

Drawing Status :

Ref NO.:

Client

Contractor:

Supplier:

**DIMON**  
Technology

DIMON Technology Ltd.  
Tel: 00852-3916 5876  
Fax: 00852-21203398  
Http://www.dimontechnology.com  
E-mail:gary@dimontechnology.com

Project:

Job Title:

Drawing Name:

Drawing NO.:

Drawing Scale: AS SHOW

Drawing Date: 2020/06/30

Drawing: KP

Collate: Joyi

Auditing: Gray Hui

Drawing Version: 1