

GENERAL NOTES

1. GENERAL

- 2.1 DRAWINGS ARE NOT TO BE SCALED.
- 2.2 ALL DIMENSIONS ARE IN MILLIMETERS UNLESS OTHERWISE NOTED.
- 2.3 ALL LEVELS ARE IN METERS ABOVE PRINCIPAL DATUM(M.P.D.).

2. DESIGN STANDARDS

- 2.1 HONG KONG BUILDING CONSTRUCTION REGULATIONS CHAPTER 123, 2012.
- 2.2 CODE OF PRACTICE FOR STRUCTURAL USE OF STEEL, Macau 2001.
- 2.3 CODE OF PRACTICE ON WIND EFFECTS, Macau 2008.

3. DESIGN LOADING

- 3.1 WIND LOAD ACCORDING TO CODE OF PRACTICE ON WIND EFFECTS Macau 2008:
 BASIC WIND PRESSURE: 3.1kPa (WIND SPEED 72m/s)
 PRESSURE COEFFICIENTS: 2.0
 DESIGN WIND PRESSURE: 2 x 3.1 = 6.2 kPa
- 3.2 DEAD LOAD:
 STEEL 78.5kN/m³

4. ALLOWABLE DEFLECTION

- 4.1 FRAMING SIMPLY SUPPORT LENGTH: LENGTH/250.
- 4.2 FOR CANTILEVERED FRAMING MEMBER: LENGTH/125..
- 4.3 'SPAN' AS NOTED ABOVE IS THE SHORTER DIMENSION OF THE ELEMENT.

5. STRUCTURAL STEELWORK

- 5.1 UNLESS OTHERWISE SPECIFIED, ALL STRUCTURAL STEEL MEMBERS SHALL BE CLASS 1 AND ALL STRUCTURAL HOLLOW SECTIONS SHALL COMPLY WITH GB/T 706-2008 AND GB/T 3274-2007.
MEMBERS
 HOLLOW SECTIONS : GRADE Q345B OR EQUIVALENT
 PLATES FOR STRUCTURAL ELEMENTS : GRADE Q345B OR EQUIVALENT
- 5.2 ALL STEELWORK SHALL BE HOT DIP GALVANIZED COMPLYING WITH BS EN ISO 1461:2009. OF COATING THICKNESS 80 MICRON MIN.

6. STAINLESS STEEL

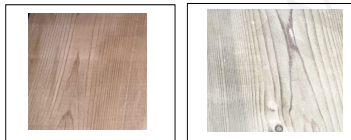
- 6.1 UNLESS OTHERWISE SPECIFIED ALL STAINLESS APPLICATIONS OF HOLLOW SECTION SHALL BE GRADE 316 WITH ASTM A511 AND PLATE WITH ASTM A240

STAINLESS STEEL GRADE	S316L
0.2% PROOF STRESS	220 MPA
ULTIMATE TENSILE STRENGTH,MIN	520 MPA
MODULUS OF ELASTICITY	200000 MPA
DESIGN STRENGTH	220 MPA
DESIGN STRESS OF FILLET WELD	220 MPA

7. PINE WOOD

- 7.1 FINNISH ANTISEPTIC PINE WOOD IS USED FOR DECORATIVE WOOD, AND ITS MAIN PROPERTIES ARE AS FOLLOWS.

COMPRESSIVE STRENGTH	50 MPA	7.0 MPA
TENSILE STRESS	95 MPA	91 MPA
MODULUS OF ELASTICITY	10.9 MPA	
SHEAR STRESS	9.1 MPA	
DENSITY	540 kg/m ³	



9. BOLT & SCREW

- 9.1 ALL STAINLESS STEEL BOLTS AND RETAINING SCREWS SHALL BE GRADE A4-70 STAINLESS STEEL TO BS EN ISO 3506-1&2 WITH COMPATIBLE STAINLESS STEEL WASHERS, NYLON OR OTHER APPROVED PLASTICS WASHER IS TO BE PROVIDED BETWEEN THE SURFACES OF ANY DIFFERENT METAL SUCH AS ALUMINIUM ALLOY, STAINLESS STEEL AND GALVANISED STEEL.
- 9.2 UNLESS OTHERWISE SPECIFIED IN THE DRAWINGS, ALL FASTENERS SHALL BE STAINLESS STEEL
- 9.3 AT SLOTTED HOLE CONNECTIONS EITHER SELF LOCKING NUTS SHOULD BE USED OR THE BOLTS NUTS SHOULD BE COATED WITH EPOCY RESIN ADHESIVE IMMEDIATELY PRIOR TO TIGHTENING.
- 9.4 UNLESS OTHERWISE SPECIFIED ALL STAINLESS STEEL BOLT/SCREWS SHALL BE GRADE A4-70 BS EN ISO 3506.

MATERIAL GRADE	A4-70
0.2% PROOF STRESS	450 MPA
UNTIMATE TENSILE STRESS	700 MPA
TENSILE STRESS	373 MPA
SHEAR STRESS	280 MPA

- 9.5 ALL ORDINARY BOLTS TO BE COMPLIED WITH BS 4190 / BS 3692.

MATERIAL GRADE	GRADE 8.8
DESIGN BEARING STRENGTH	1000 MPA
UNTIMATE TENSILE STRESS	800 MPA
TENSILE STRESS	450 MPA
SHEAR STRESS	375 MPA

10. PAINTING SYSTEM

- 10.1 ALL STEEL WORK SHALL BE HOT DIP GALVANIZED IN ACCORDANCE WITH BS EN ISO 1461:2009.THE MINIMUM COATING SHALL BE 85um.
- 10.2 PAINT SYSTEM TO STEELWORK SHALL BE APPLIED IN THE FOWLOWING
 - PRIMER: INTERSSEAL 670HS DFT 150um
 - FINISH COAT: INTERTHANE 870 DFT 60um RAL 9006

11. LEGEND:

- FILLET WELD ON THE ARROW SIDE
- ALL ROUND WELD
- 16 WELD DIMENSION
- FULL PENETRATION BUTT WELD ALL ROUND
- GROOVE WELD:
- +14.70 FINISH FLOOR LEVEL ON PLAN
- (+6.00) FINISH GROUND LEVEL
- F.F.L. FINISH FLOOR LEVEL (ON SECTION)
- S.F.L. STRUCTURAL FLOOR LEVEL (ON SECTION)

8. WELDING

- 8.1 ALL WELDS SHALL BE 6mm FILLET WELD ALL ROUND UNLESS OTHERWISE STATED.
- 8.2 WELDING SHALL CONFORM TO BS EN1011-1:1998.
- 8.3 WELD DESIGN STRENGTH (E43) = 220N/mm².
- 8.4 WELDING CONSUMABLES SHALL TO BS EN ISO 2560:2005.
- 8.5 ALL WELDING SHALL BE DONE BY THE QUALIFIED WELDERS TO BE COMPLY WITH BS 287:

Drawing Status :

Ref NO.:

Client

Management:

Supplier:

DIMON
Technology

DIMON Technology Ltd.
 Tel: 00852-3916 5876
 Fax: 00852-21203398
 Http://www.dimontechnology.com
 E-mail:gary@dimontechnology.com

Project:

Job Title:
 Covered Walkway -F29

Drawing Name:
 GENERAL NOTES

Drawing NO.: CW-002

Drawing Scale: AS SHOW

Drawing Date: 2020/6/13

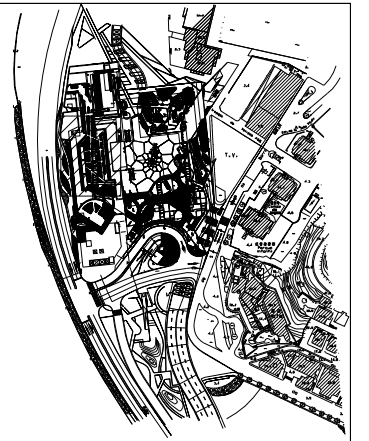
Drawing: Cai

Collate: Joyi

Auditing: Gray Hui

Drawing Version: V7

NUMBER	MEMBER SIDE	COLOR
C01	200x100x8mm THK. GMS. RHS.	RAL9006
B01	200x100x8mm THK. GMS. RHS.	RAL9006
B02	150x50x6mm THK. GMS. RHS.	RAL9006



KEY PLAN

Drawing Status :

Ref NO.:

Client
 澳門特別行政區政府
 GOVERNO DA RAEM
 運輸基建辦公室
 G.I.T. - Gabinete para as Infra-estruturas de Transportes

Management:

Supplier:

DIMON
 Technology

DIMON Technology Ltd.
 Tel: 00852-3916 5876
 Fax: 00852-21203398
 Http://www.dimontechnology.com
 E-mail: gary@dimontechnology.com

Project:
 C340B - 輕軌媽閣站主體建造工程
 C340B - MAIN WORKS FOR
 BARRA STATION, MACAO LRT

Job Title:
 Covered Walkway -F29

Drawing Name:
 COVERED WALKWAY PLAN

Drawing NO.: CW-102

Drawing Scale: AS SHOW

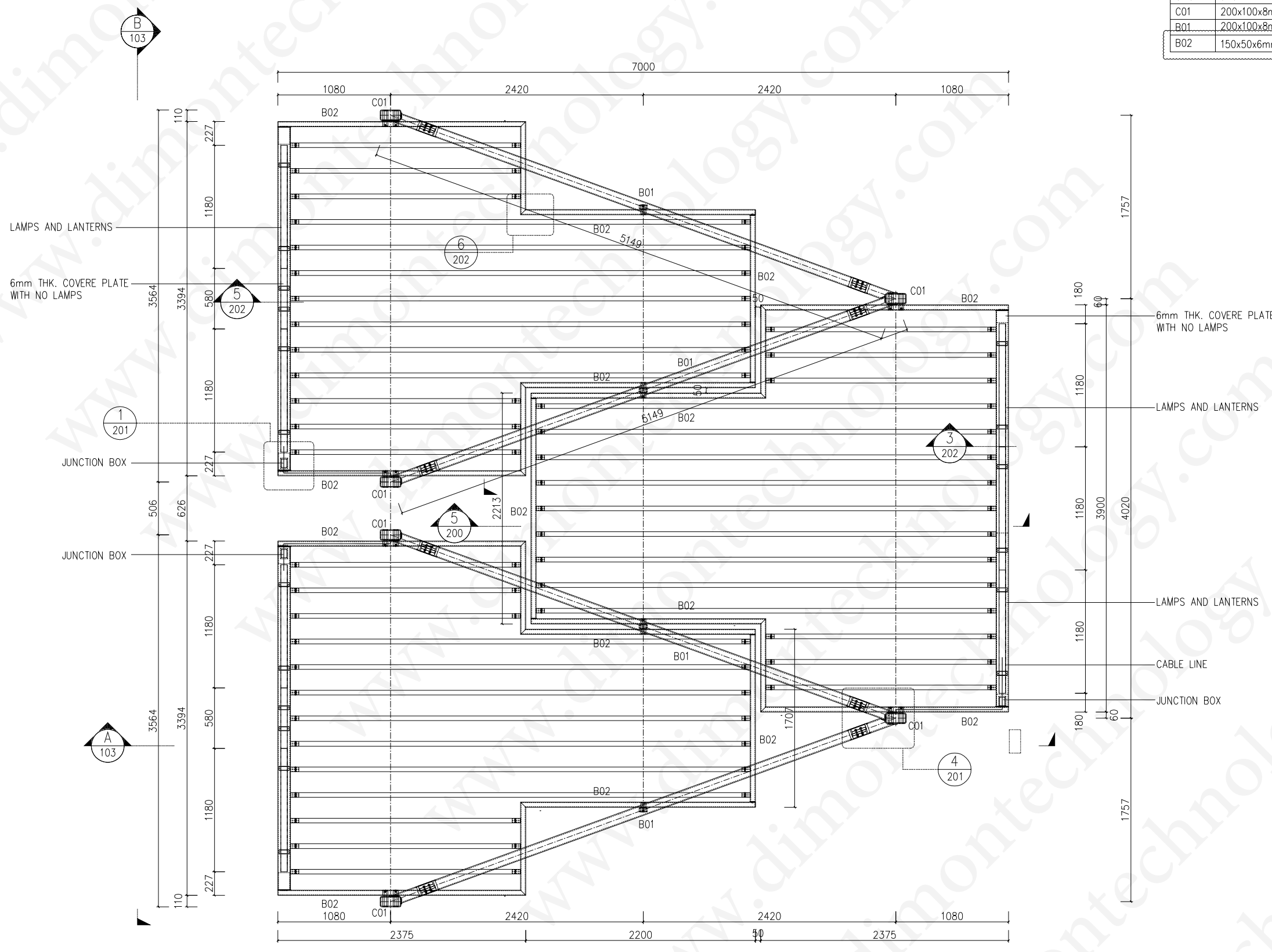
Drawing Date: 2020/6/24

Drawing: Cai

Collate: Joyi

Auditing: Gray Hui

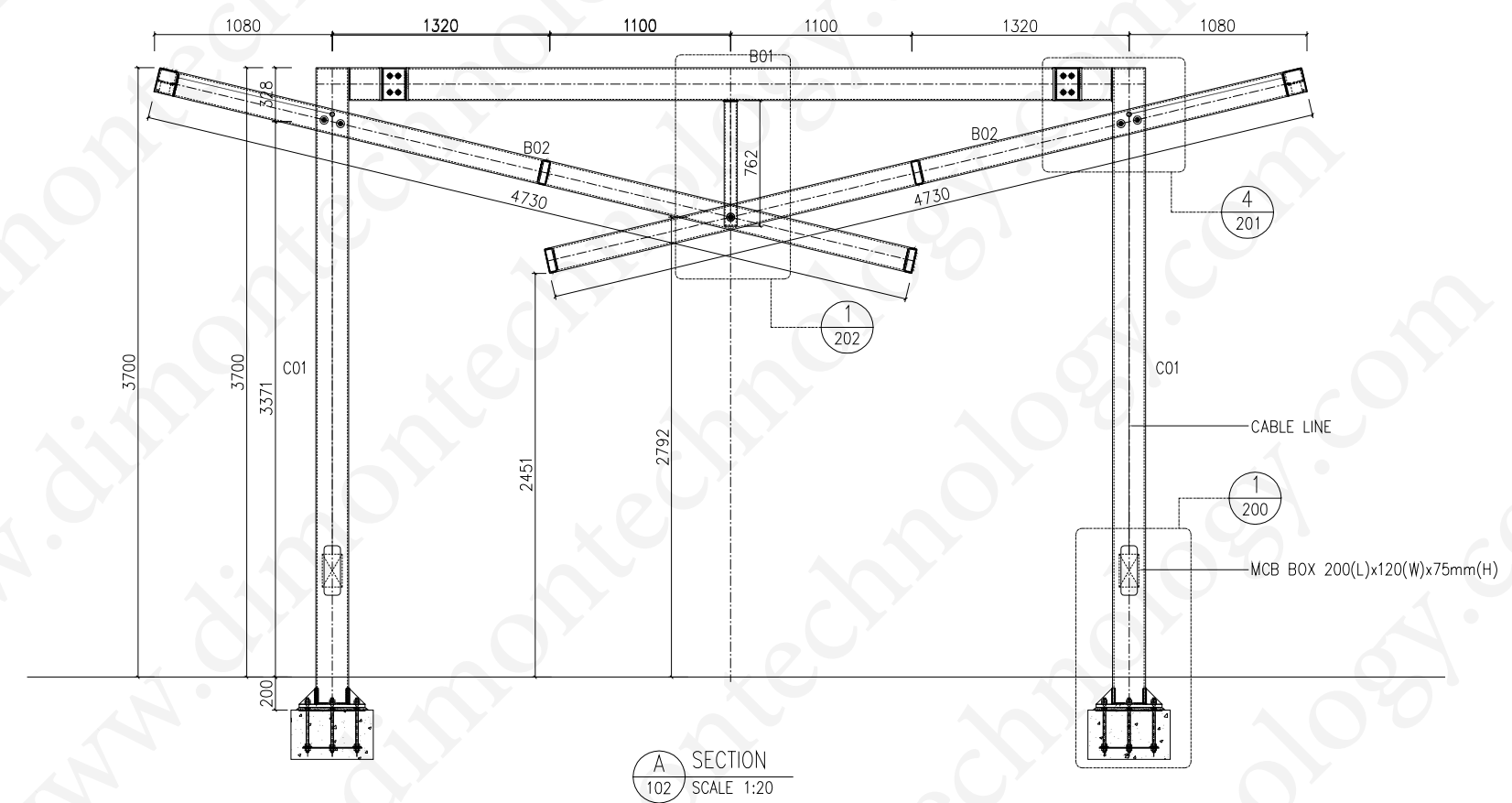
Drawing Version: 1



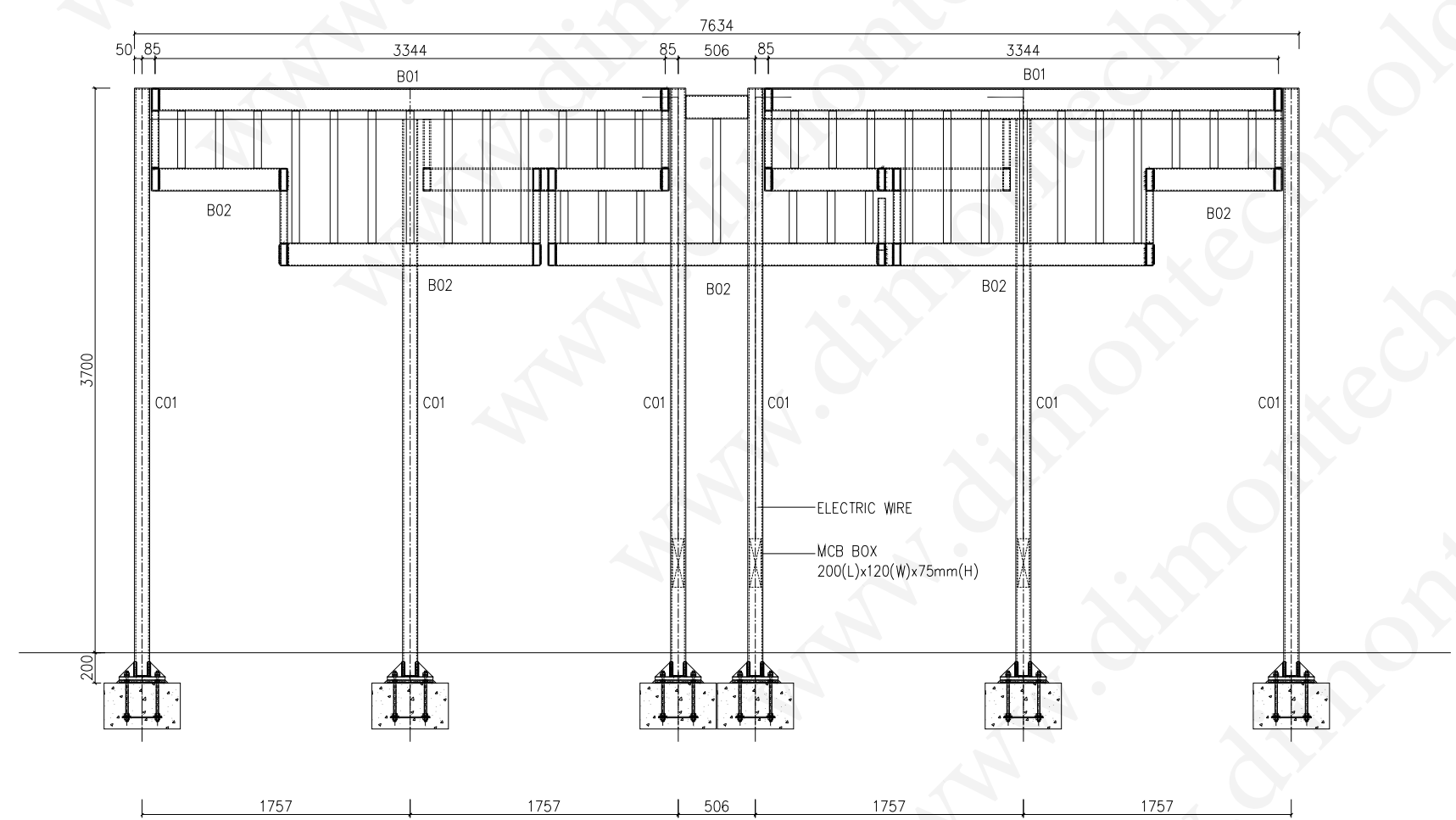
1 PLAN OF COVERED WALKWAY
 SCALE 1:20



NUMBER	MEMBER SIDE	COLOR
C01	200x100x8mm THK. GMS. RHS.	RAL9006
B01	200x100x8mm THK. GMS. RHS.	RAL9006
B02	150x50x6mm THK. S.S. RHS.	



A SECTION
102 SCALE 1:20



B ELEVATION
102 SCALE 1:20



KEY PLAN

Drawing Status :

Ref NO.:

Client

Management:

Supplier:

DIMON
Technology

DIMON Technology Ltd.
Tel: 00852-3916 5876
Fax: 00852-21203398
Http://www.dimontechnology.com
E-mail:gary@dimontechnology.com

Project:

Job Title:

Drawing Name:

Drawing NO.: CW-103

Drawing Scale: AS SHOW

Drawing Date: 2020/6/13

Drawing: Cai

Collate: Joyi

Auditing: Gray Hui

Drawing Version: V7

