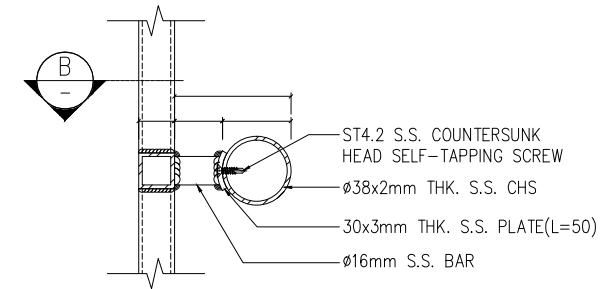
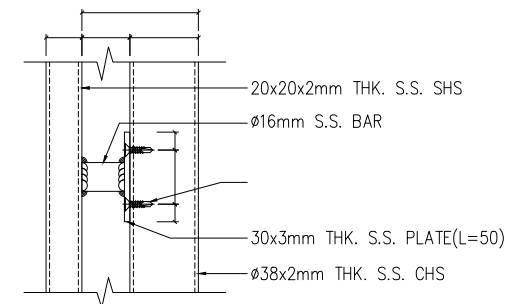


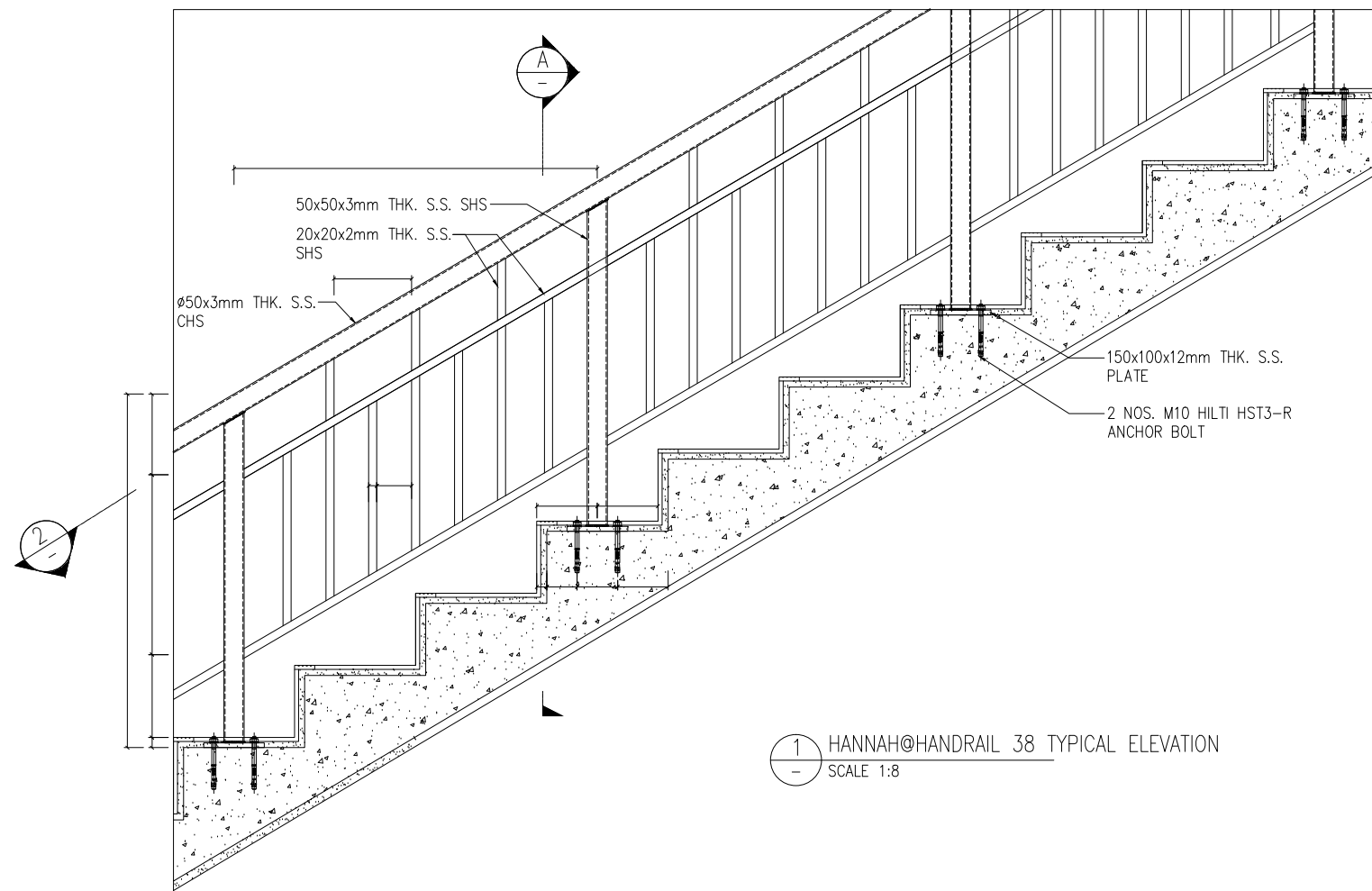
2 HANNAH@HANDRAIL\_38 TYPICAL PLAN  
SCALE 1:8



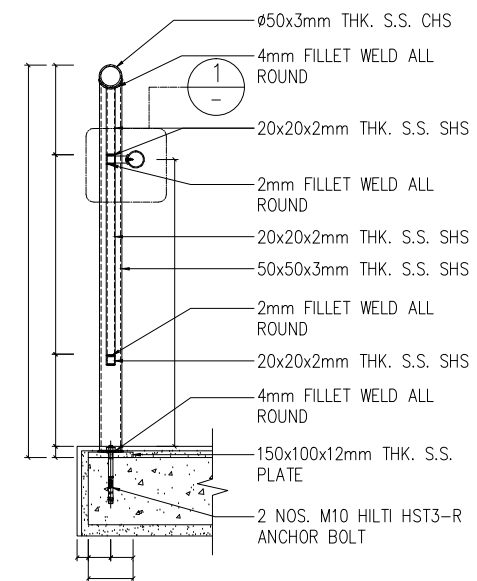
1 DETAIL  
SCALE 1:2



B SECTION  
SCALE 1:2



1 HANNAH@HANDRAIL\_38 TYPICAL ELEVATION  
SCALE 1:8



A SECTION  
SCALE 1:8

Drawing Status :

Ref NO.:

Client

Management :

Supplier :

**DIMON**  
Technology

DIMON Technology Ltd.

Tel: 00852-3916 5876

Fax: 00852-21203398

Http://www.dimontechnology.com

E-mail:gary@dimontechnology.com

Project:

Job Title:  
HANNAH@HANDRAIL 38

Drawing Name:  
RAILING  
ELEVATION , PLAN AND DETAILS

Drawing NO.: RL-003

Drawing Scale: AS SHOW

Drawing Date: 2021/01/31

Drawing: Cai

Collate: Joyi

Auditing: Gray Hui

Drawing Version: 1