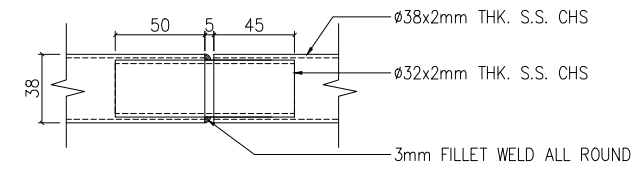
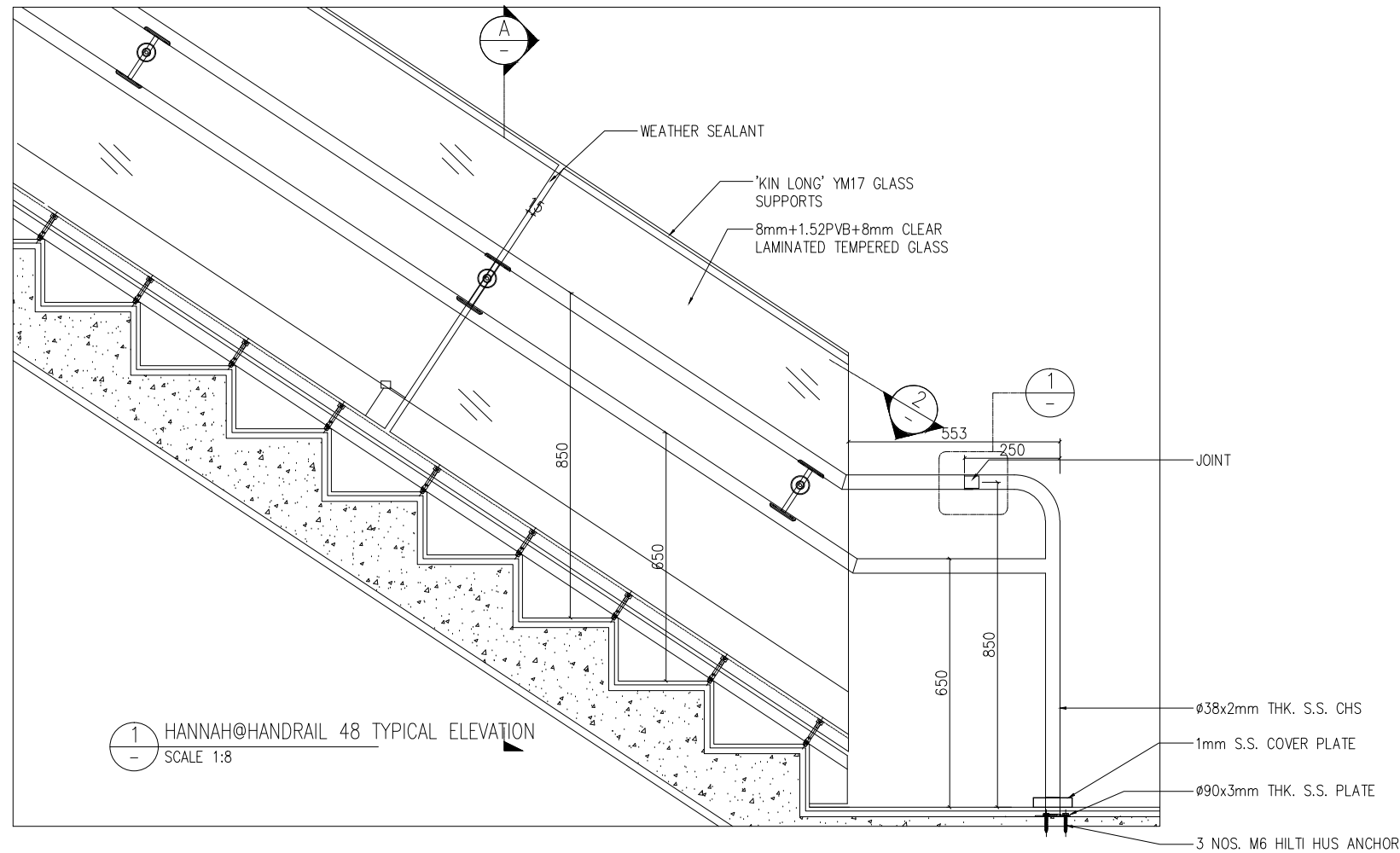


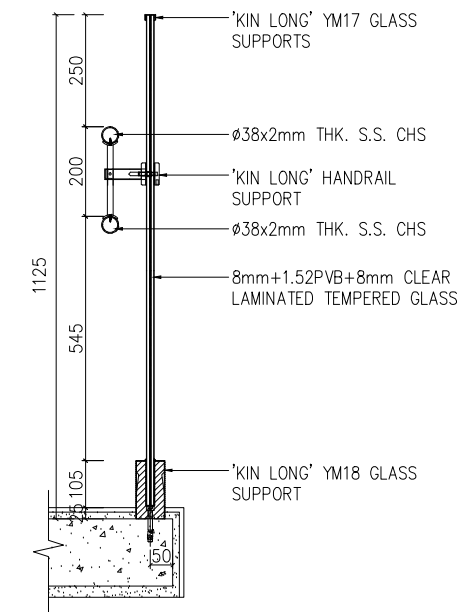
2 HANNAH@HANDRAIL 48 TYPICAL PLAN
SCALE 1:8



1 DETAIL
SCALE 1:2



1 HANNAH@HANDRAIL 48 TYPICAL ELEVATION
SCALE 1:8



A SECTION
SCALE 1:8

Drawing Status :

Ref NO.:

Client

Management :

Supplier :

DIMON
Technology

DIMON Technology Ltd.

Tel: 00852-3916 5876
Fax: 00852-21203398
Http://www.dimontechnology.com
E-mail:gary@dimontechnology.com

Project:

Job Title:
HANNAH@HANDRAIL 48

Drawing Name:
RAILING
ELEVATION, PLAN AND DETAILS

Drawing NO.: RL-004

Drawing Scale: AS SHOW

Drawing Date: 2021/01/31

Drawing: Cai

Collate: Joyi

Auditing: Gray Hui

Drawing Version: 1