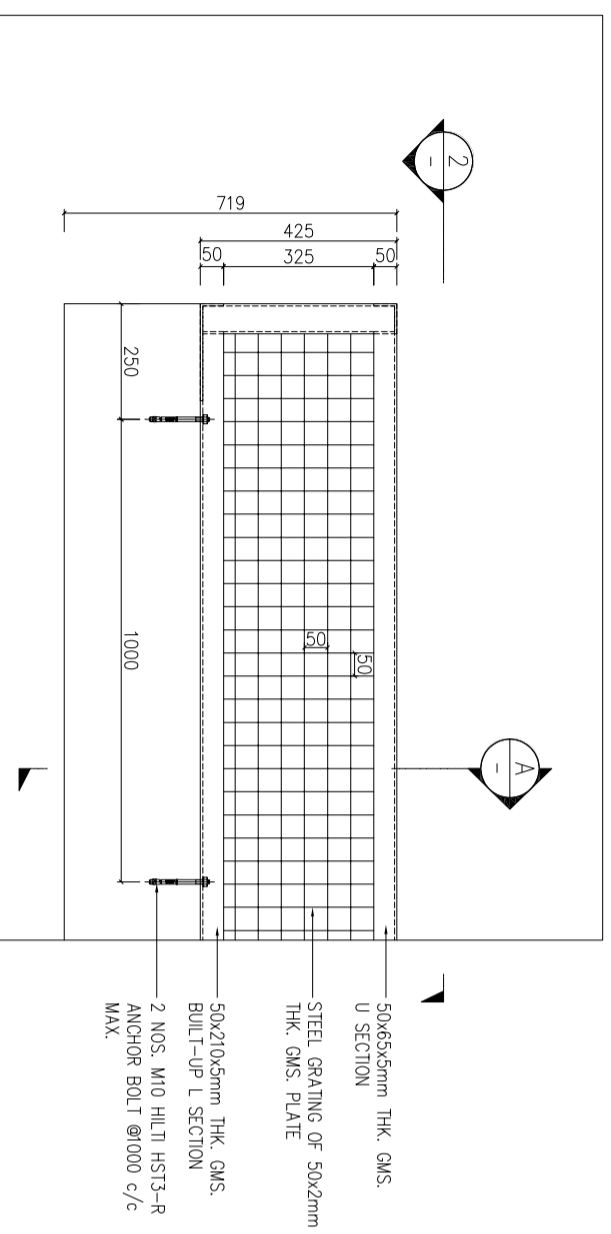
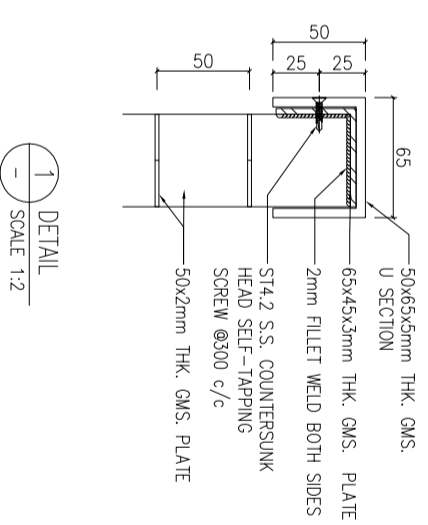


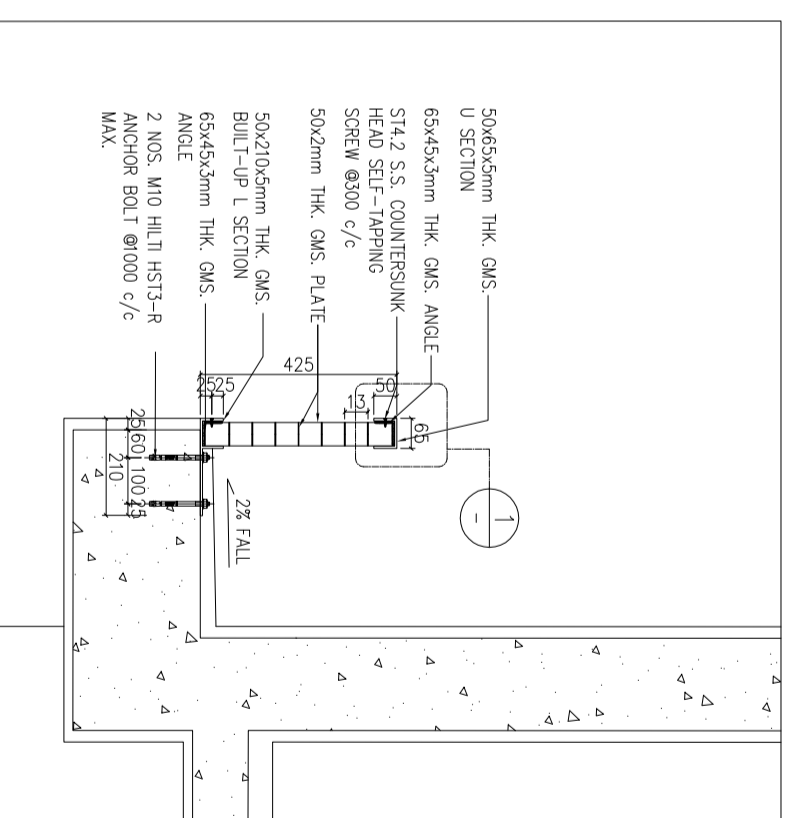
1 HANNAH@steel-grating-fence 88 TYPICAL PLAN
SCALE 1:8



2 HANNAH@steel-grating-fence 88 TYPICAL ELEVATION
SCALE 1:8



1 DETAIL
SCALE 1:2



A SECTION
SCALE 1:8

Supplier:	DIMON T e c h n o l o g y DIMON Technology Ltd. Tel: 00852-3916 5876 Fax: 00852-21203398 Http://www.dimonotechnology.com E-mail:gary@dimontechnology.com
Management:	
Project:	
Job Title:	HANNAH@steel-grating-fence 88
Drawing Name:	RAILING ELEVATION , PLAN AND DETAILS
Drawing NO.:	RL-008
Drawing Scale:	AS SHOW
Drawing Date:	2021/01/31
Drawing:	Cai
Collate:	Joyi
Auditing:	Gray Hui
Drawing Version:	1