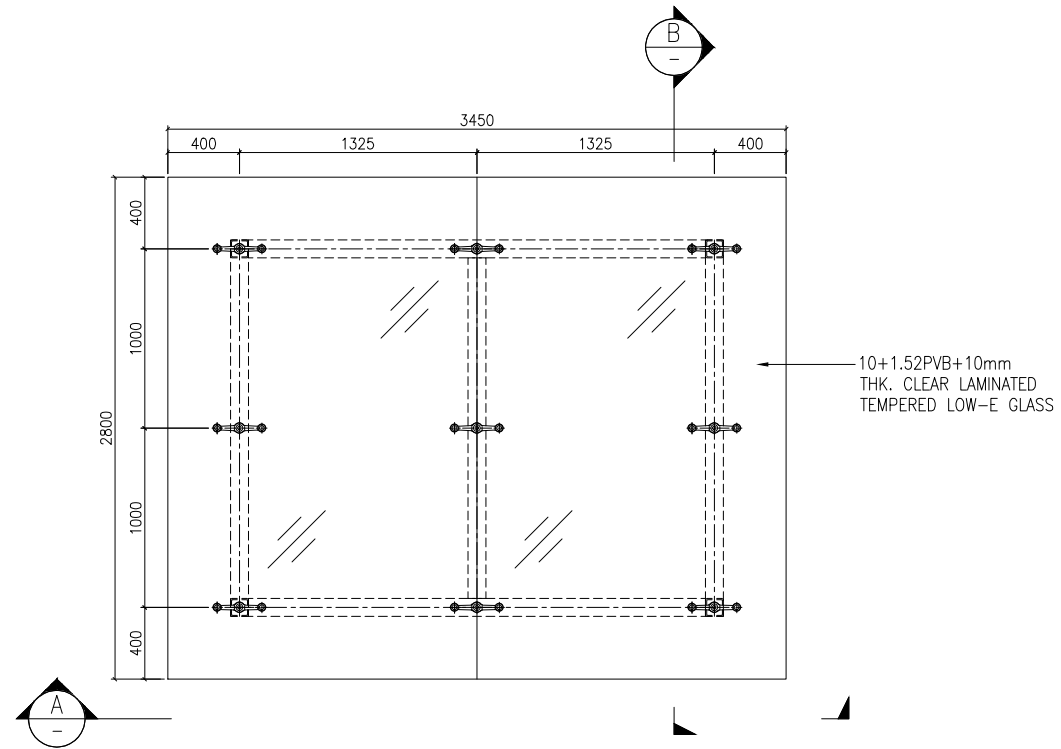
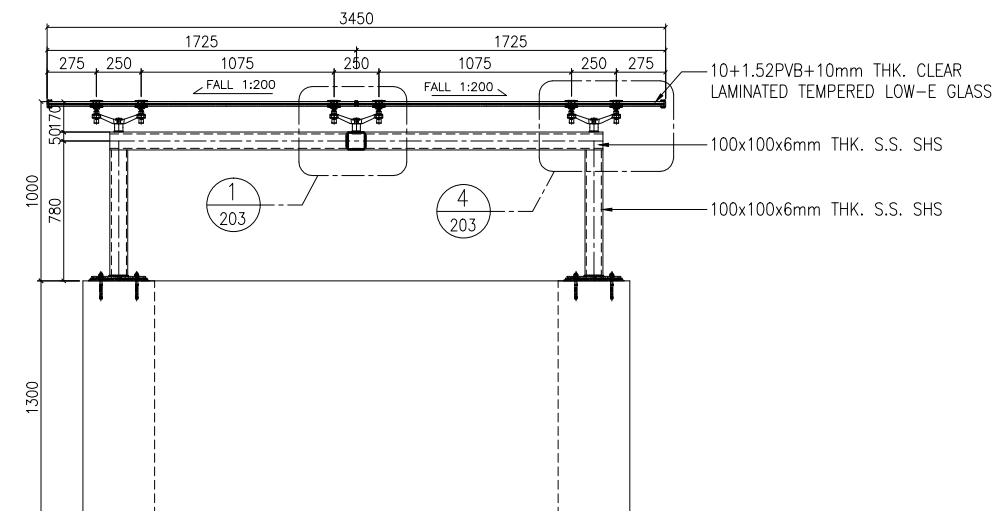


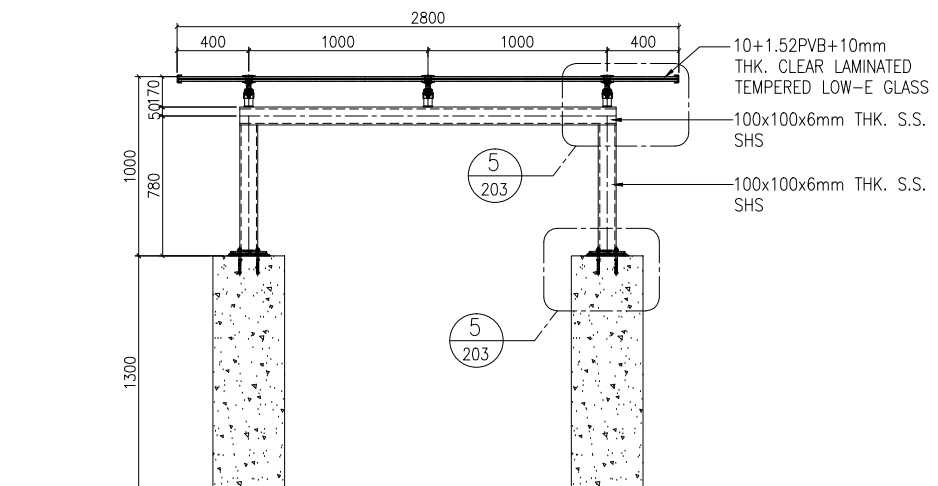
1 STEEL PLAN GLASS CANOPY 1
SCALE 1:20



2 GLASS PLAN GLASS CANOPY 1
SCALE 1:20



A GLASS CANOPY 1 ELEVATION
SCALE 1:20



B GLASS CANOPY 1 SECTION
SCALE 1:20

Drawing Status :

Ref NO.:

Client

Management :

Supplier :

DIMON
Technology

DIMON Technology Ltd.

Tel: 00852-3916 5876

Fax: 00852-21203398

Http://www.dimontechnology.com

E-mail: gary@dimontechnology.com

Project:

Job Title:

GLASS CANOPY-CHLOE@SKY38

Drawing Name:

PLAN, ELEVATION AND SECTION

Drawing NO.: GC-101

Drawing Scale: AS SHOW

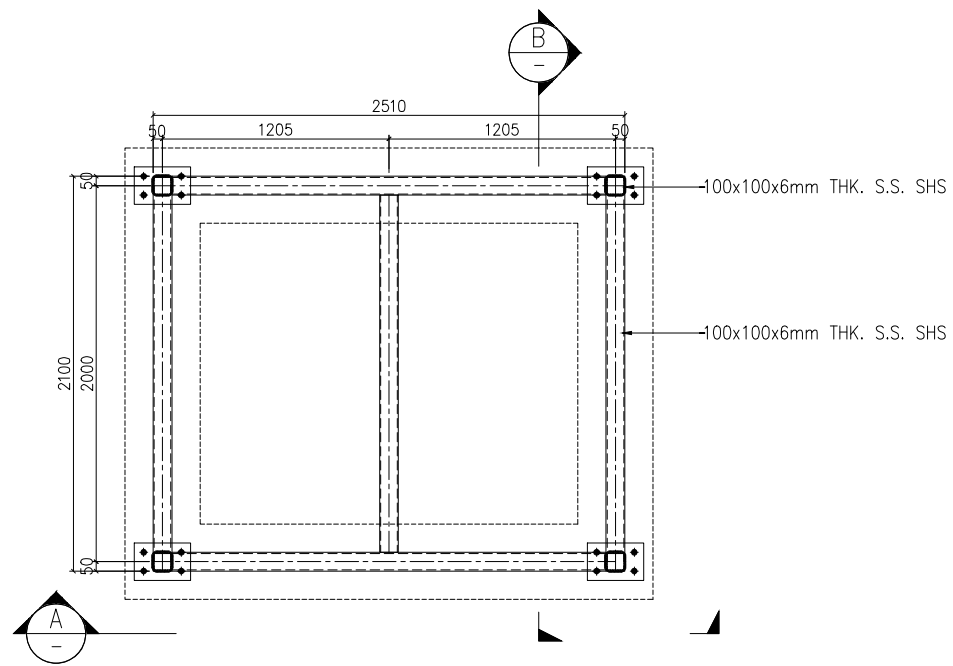
Drawing Date: 2020/10/10

Drawing: Cai

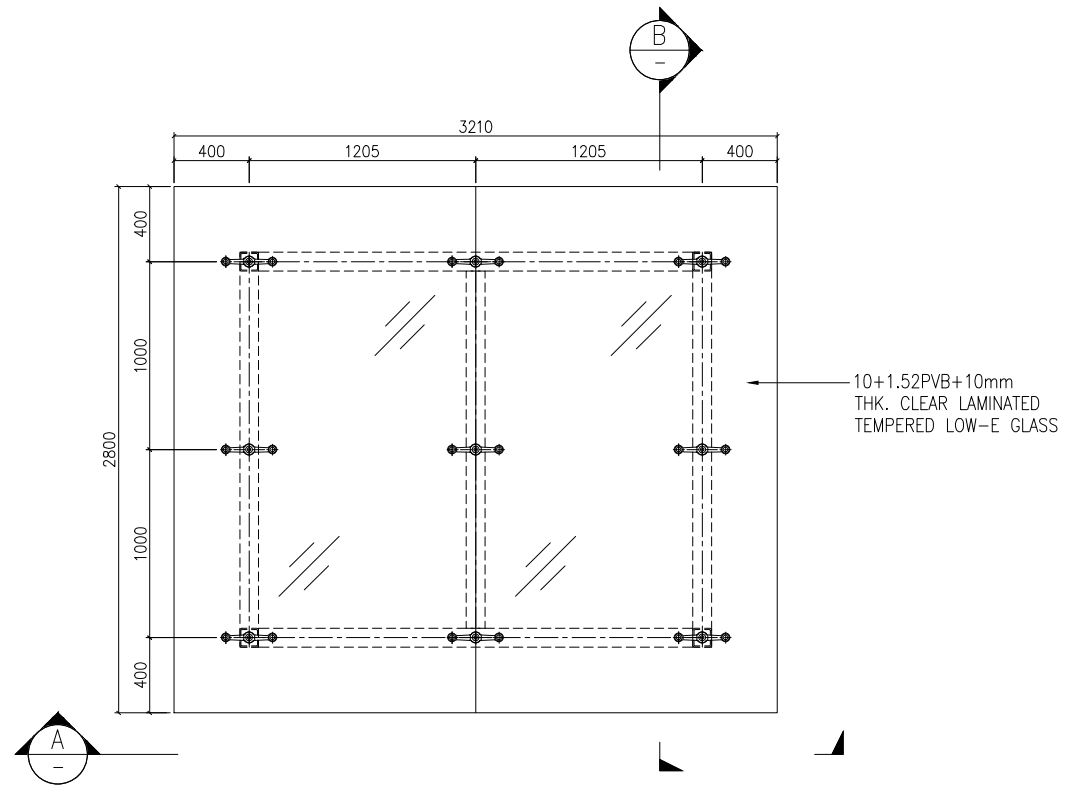
Collate: Joyi

Auditing: Gray Hui

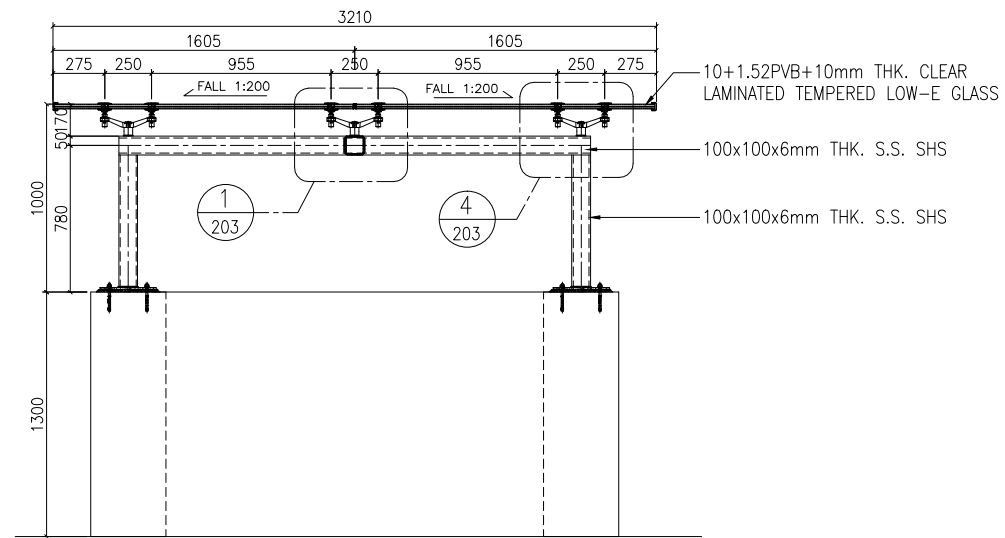
Drawing Version: 0



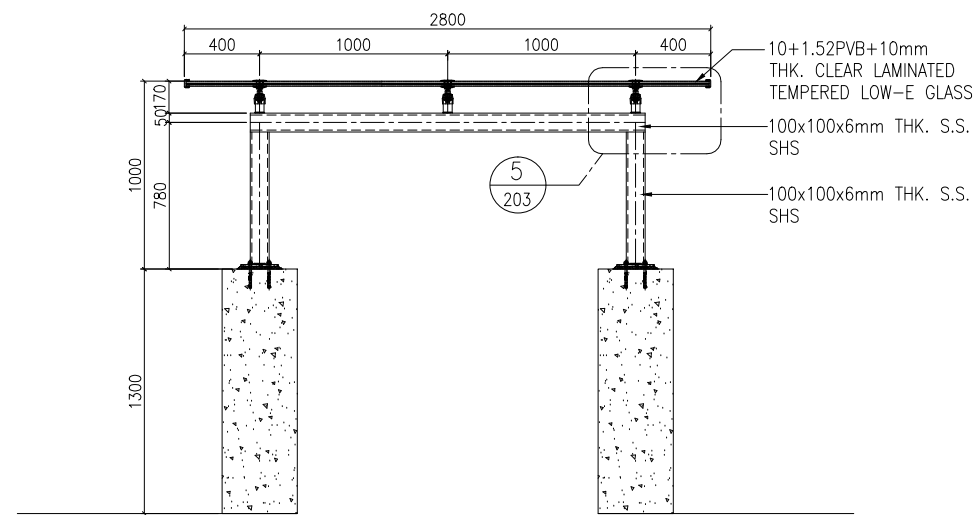
1 STEEL PLAN GLASS CANOPY
SCALE 1:20



2 GLASS PLAN GLASS CANOPY
SCALE 1:20



A GLASS CANOPY ELEVATION
SCALE 1:20



B GLASS CANOPY SECTION
SCALE 1:20

Drawing Status :

Ref NO.:

Client

Management:

Supplier:

DIMON
Technology

DIMON Technology Ltd.

Tel: 00852-3916 5876

Fax: 00852-21203398

Http://www.dimontechnology.com

E-mail:gary@dimontechnology.com

Project:

Job Title:

GLASS CANOPY-CHLOE@SKY38

Drawing Name:

PLAN, ELEVATION AND SECTION

Drawing NO.: GC-102

Drawing Scale: AS SHOW

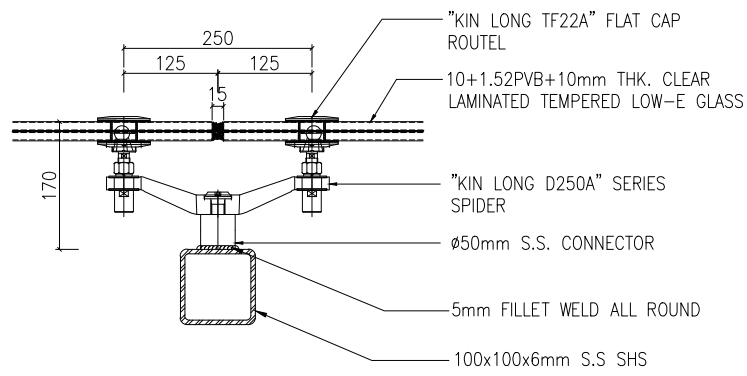
Drawing Date: 2020/10/10

Drawing: Cai

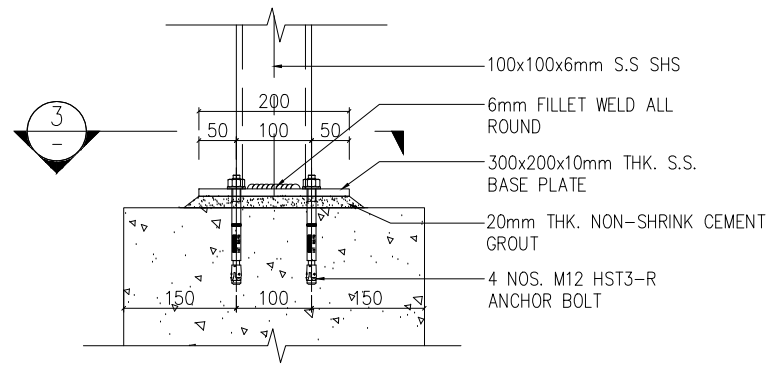
Collate: Joyi

Auditing: Gray Hui

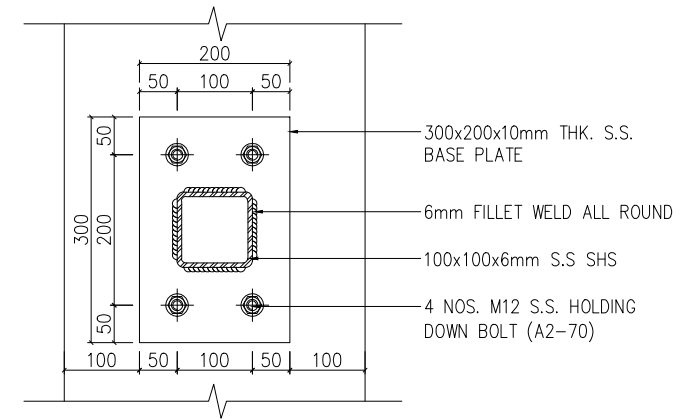
Drawing Version: 0



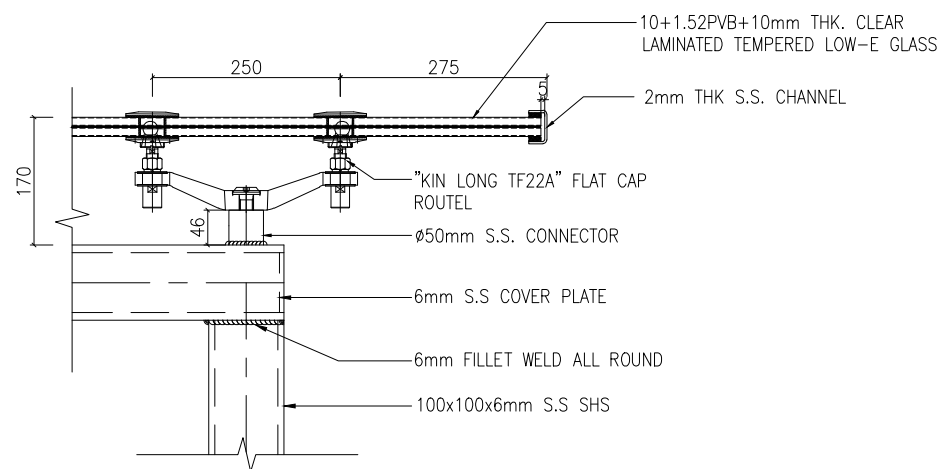
1
-
DETAIL
SCALE 1:5



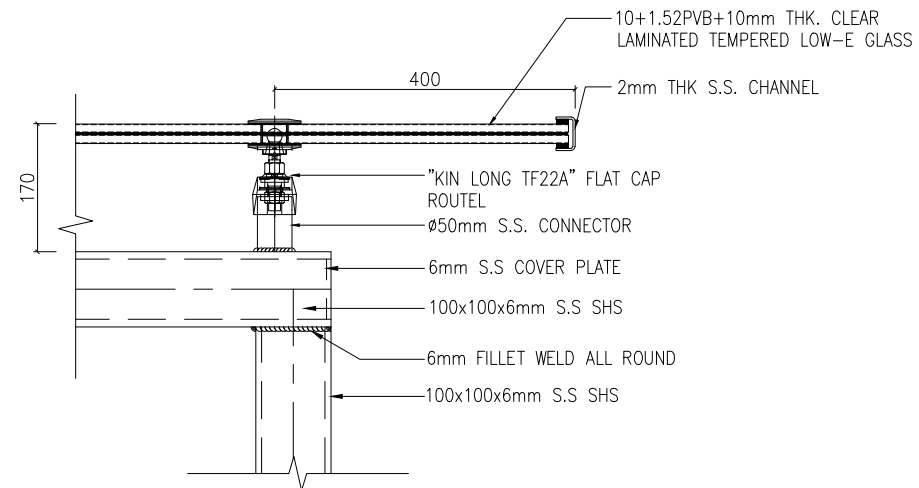
2
-
DETAIL
SCALE 1:5



3
-
DETAIL
SCALE 1:5



4
-
DETAIL
SCALE 1:5



5
-
DETAIL
SCALE 1:5

Drawing Status :

Ref NO.:

Client

Management:

Supplier:

DIMON
Technology

DIMON Technology Ltd.

Tel: 00852-3916 5876

Fax: 00852-21203398

Http://www.dimontechnology.com

E-mail: gary@dimontechnology.com

Project:

Job Title:

GLASS CANOPY-CHLOE@SKY38

Drawing Name:

GLASS CANOPY DETAIL

Drawing NO.: GC-203

Drawing Scale: AS SHOW

Drawing Date: 2020/10/10

Drawing: Cai

Collate: Joyi

Auditing: Gray Hui

Drawing Version: 0