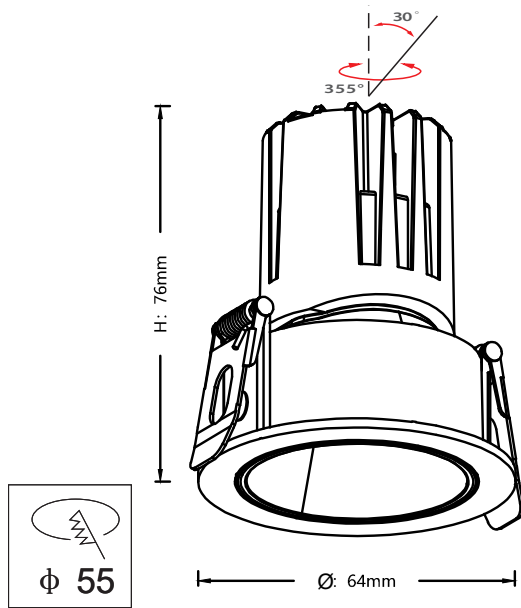
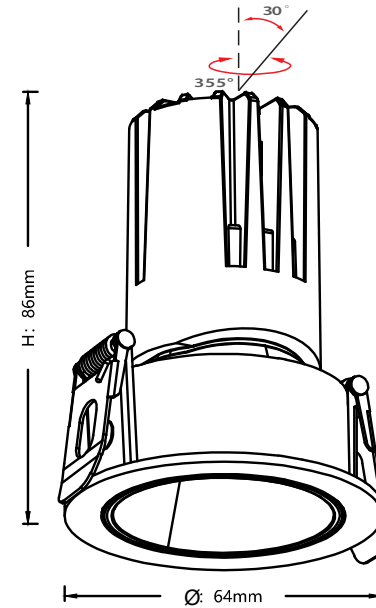


# Technical Drawing

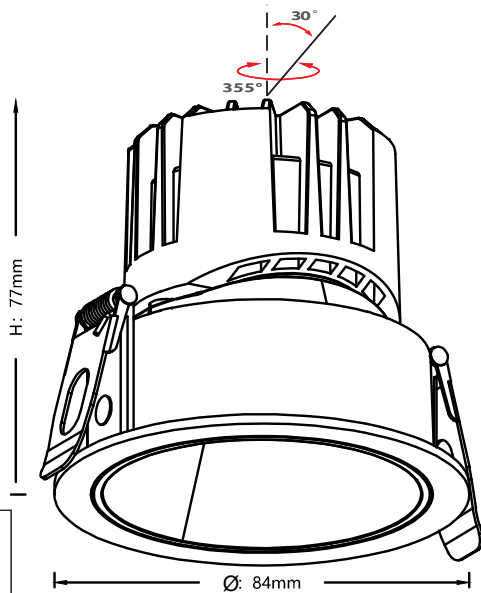
Unit: mm



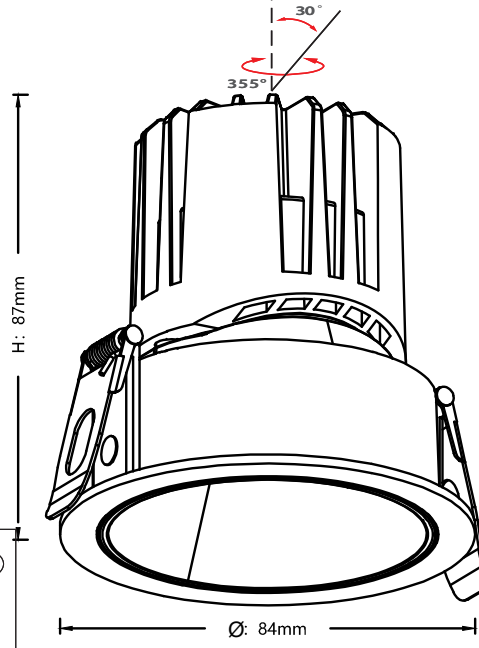
5-7W



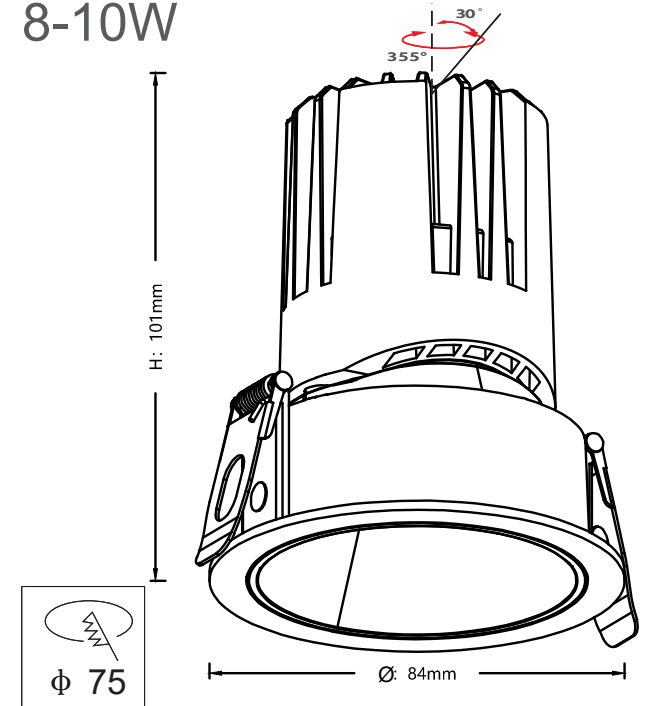
8-10W



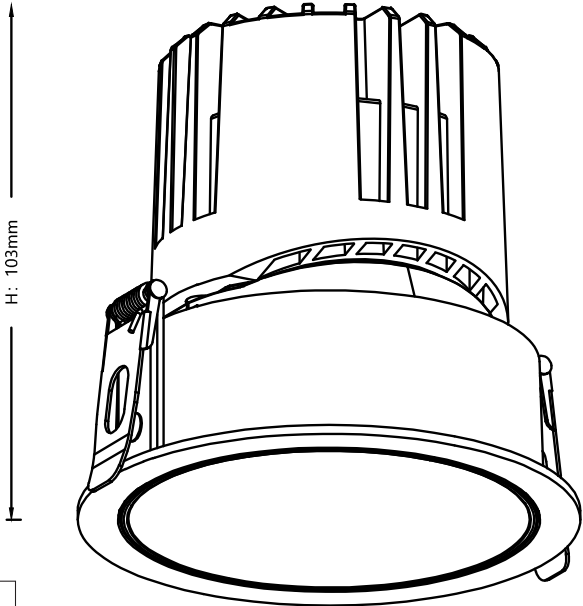
7-8W



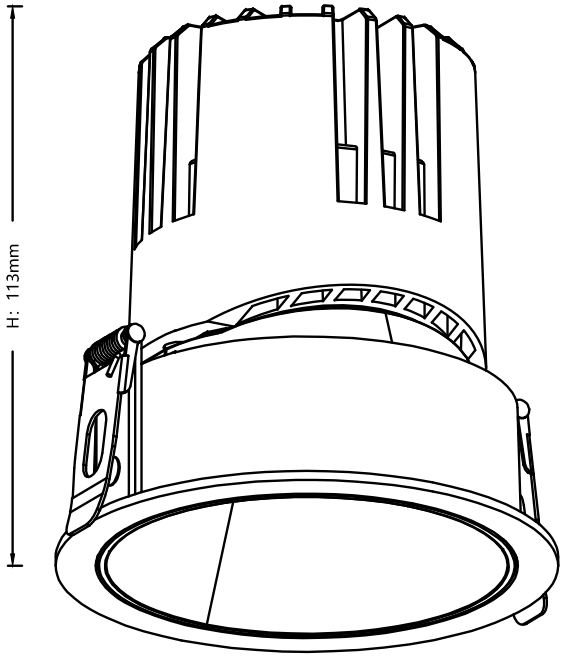
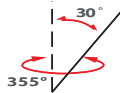
10-12W



15-20W



18-20W



22-30W

Unit: mm