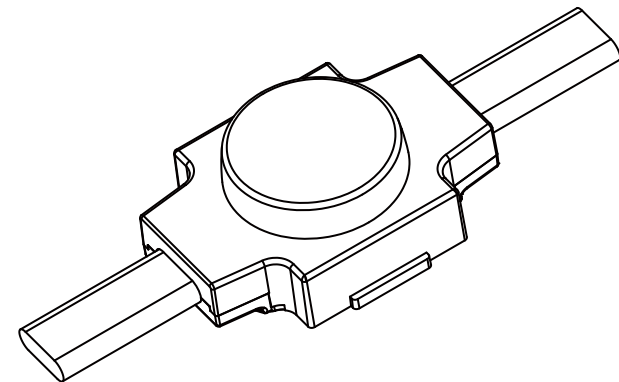
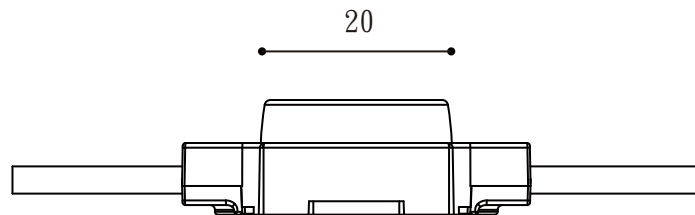
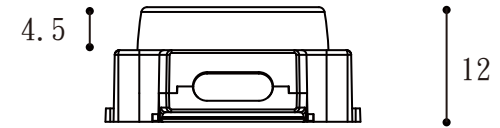
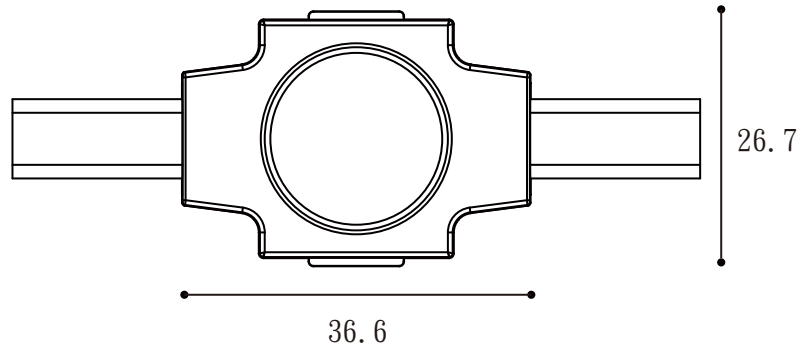


# Technical Drawing



Unit: mm