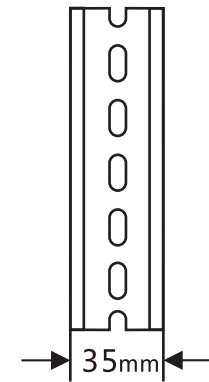
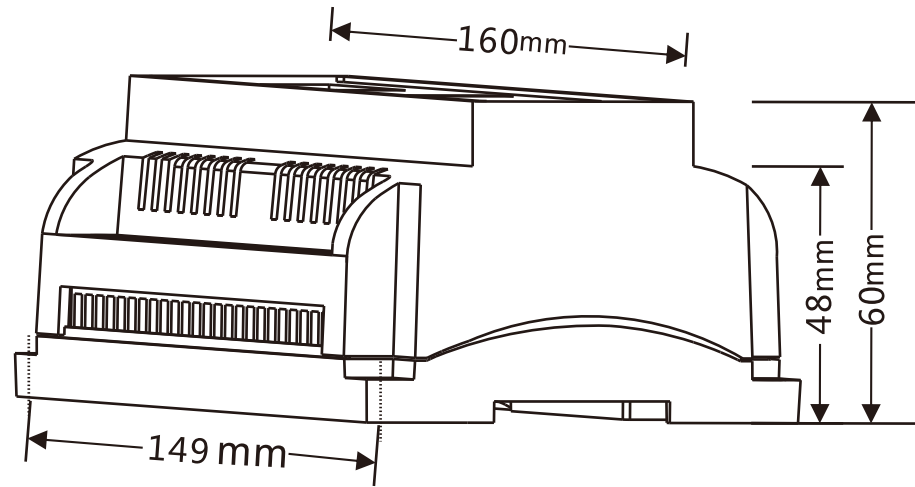
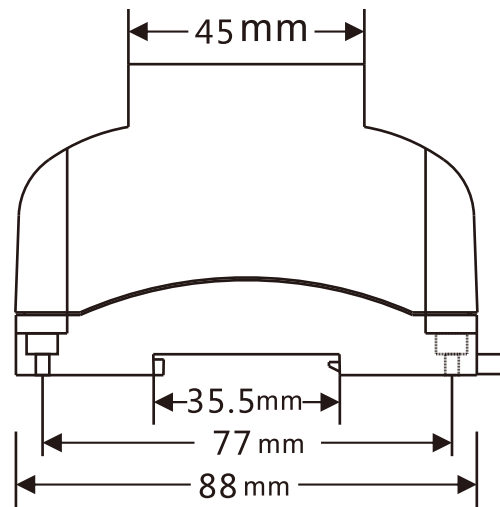


Technical Drawing
24 CH Constant Voltage DMX512 Decoder D24



DIN Rail

Unit: mm