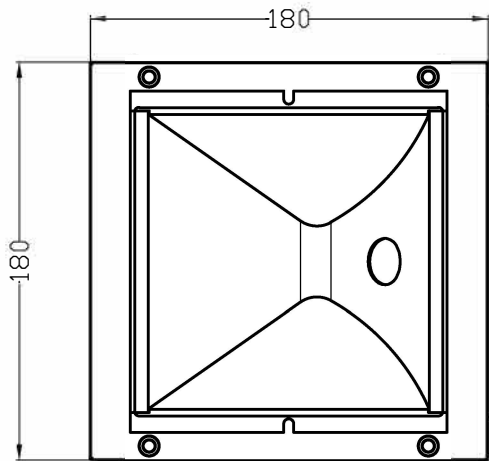
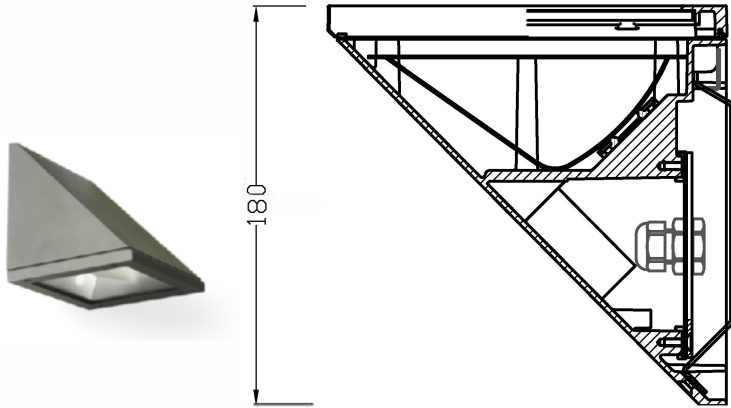
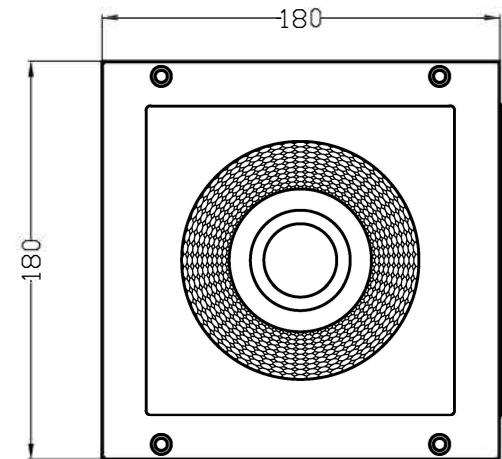
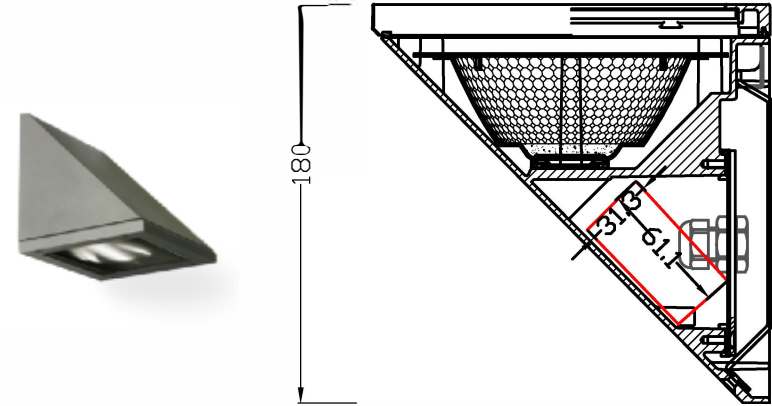


# Technical Drawing



Asymmetric Beam Angle



Symmetric Beam Angle

Unit: mm