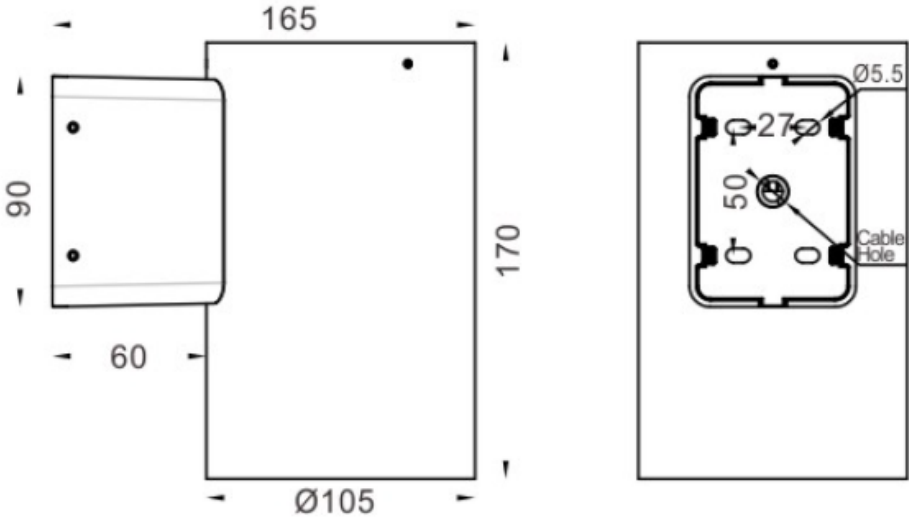
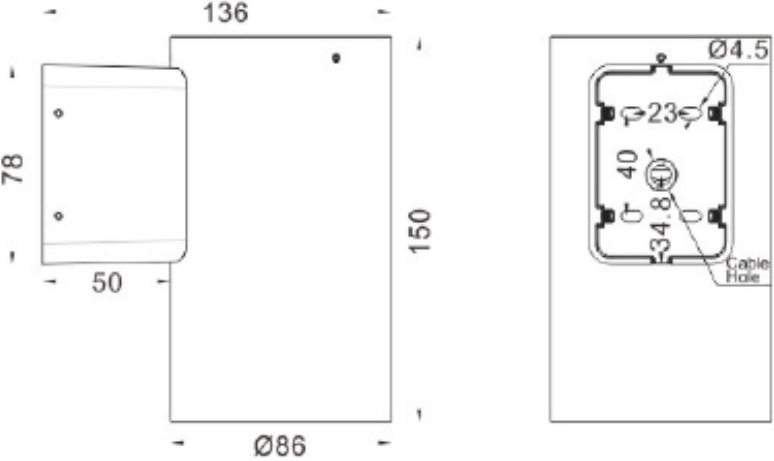
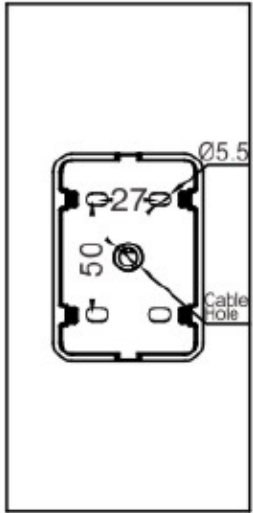
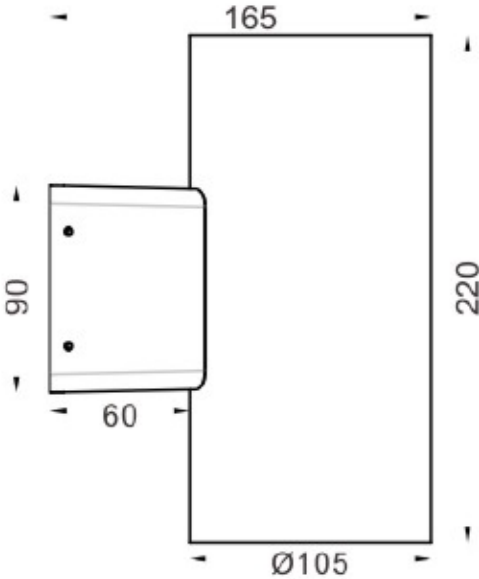
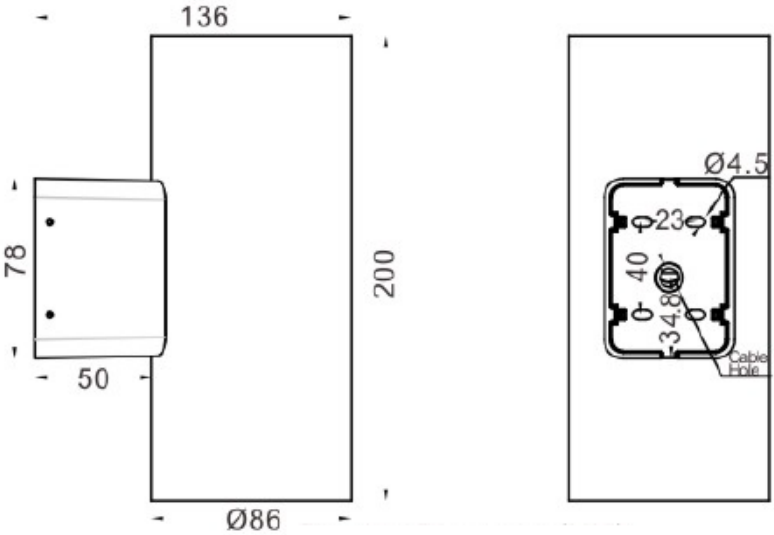


Technical Drawing  
(Up or Down Light)



Unit: mm

# Technical Drawing (Up and Down Light)



Unit: mm