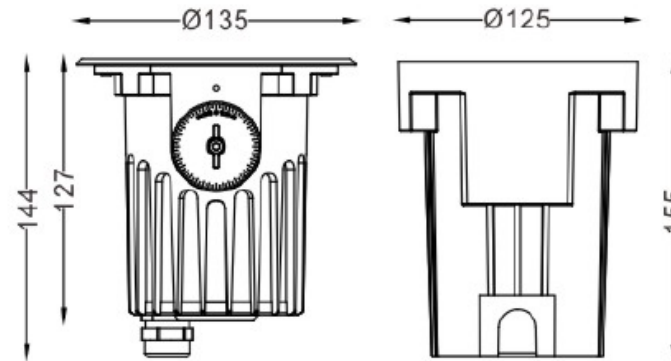


Technical Drawing-Depth Version  
BEAM DIRECTION ADJUSTABLE ON SIDE IN-GROUND LIGHT  
(Tilt- Angle+/- 25°)



**COB LED**  
Weight : 3.2 Kg

**SMD LED**



**Mounting Sleeve Material: ABS Plastic**  
**Length: 2000mm Cable**

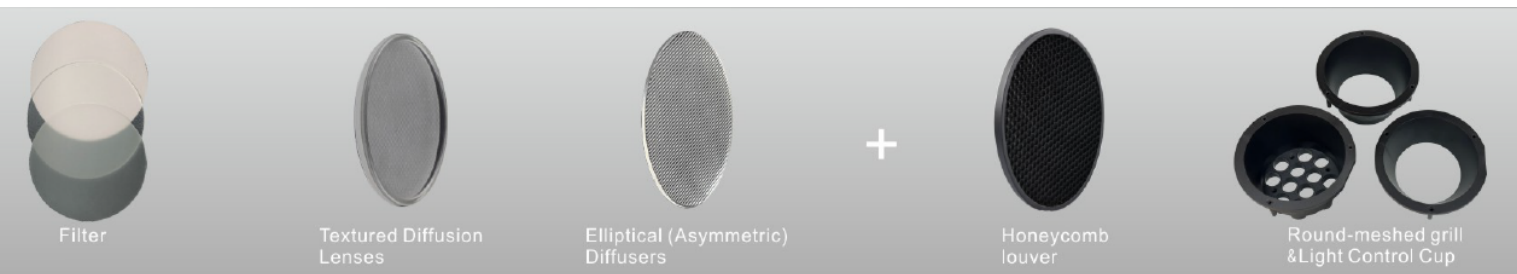
Unit: mm



**Optical Accessories**

**SS316 Square  
Frame Cover**

**IP68 Cable Plug**



**Transmittance rate:**  
**50%**

**50%**

**70%**

**40%**

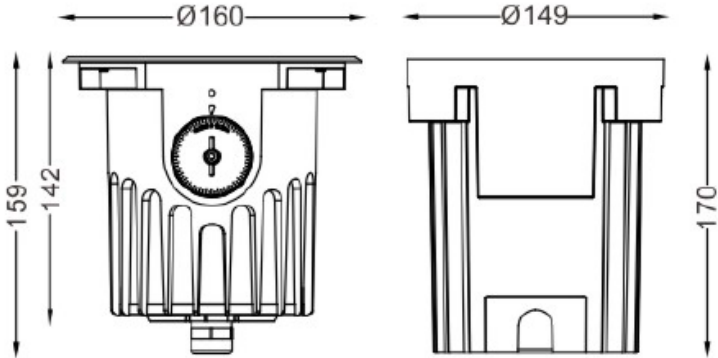
Technical Drawing-Depth Version  
BEAM DIRECTION ADJUSTABLE ON SIDE IN-GROUND LIGHT  
(Tilt- Angle+/- 25°)



**COB LED**  
Weight : 3.9 Kg



**SMD LED**

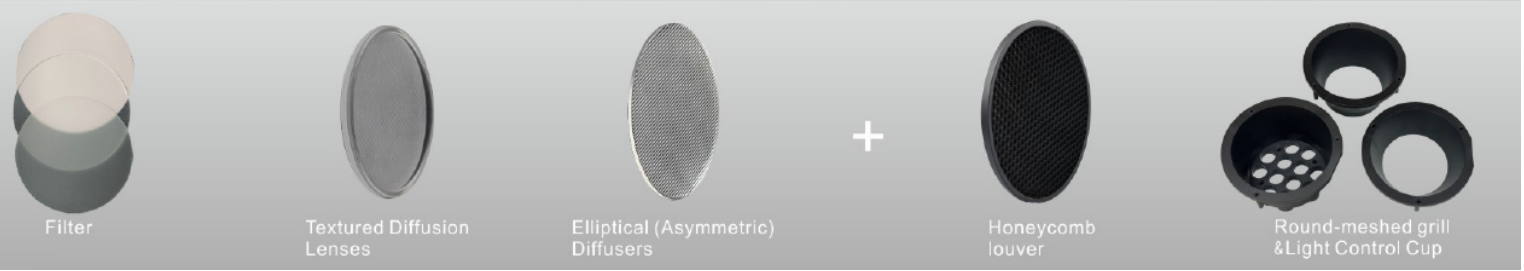


**Mounting Sleeve Material: ABS Plastic**  
**Length: 2000mm Cable**



Unit: mm

**Optical Accessories**



**Transmittance rate:**  
**50%**

**50%**

**70%**

**40%**

**SS316 Square Frame Cover**



**IP68 Cable Plug**



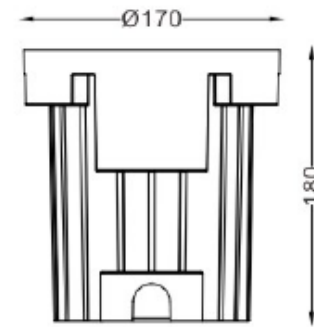
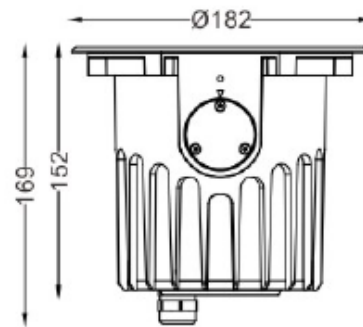
Technical Drawing-Depth Version  
BEAM DIRECTION ADJUSTABLE ON SIDE IN-GROUND LIGHT  
(Tilt- Angle+/- 25°)



**COB LED**  
Weight : 4.5 Kg



**SMD LED**

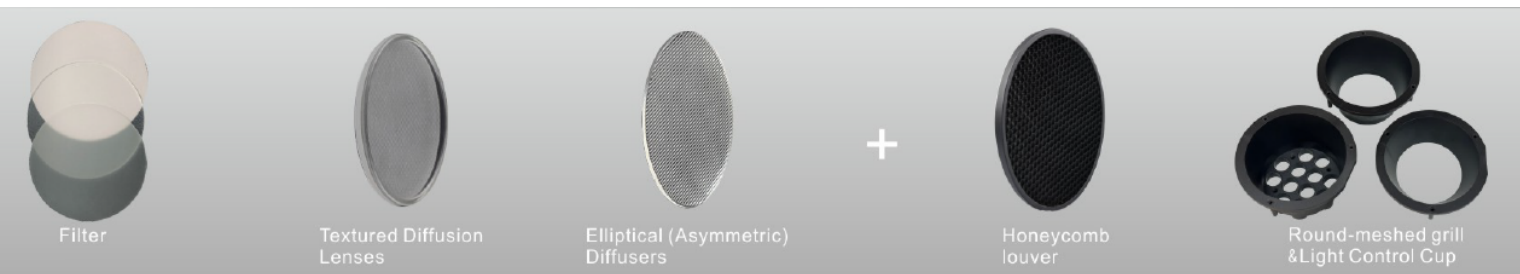


Unit: mm



**Mounting Sleeve Material: ABS Plastic**  
**Length: 2000mm Cable**

**Optical Accessories**



**SS316 Square Frame Cover**

**IP68 Cable Plug**



**Transmittance rate:**  
**50%**

**50%**

**70%**

**40%**

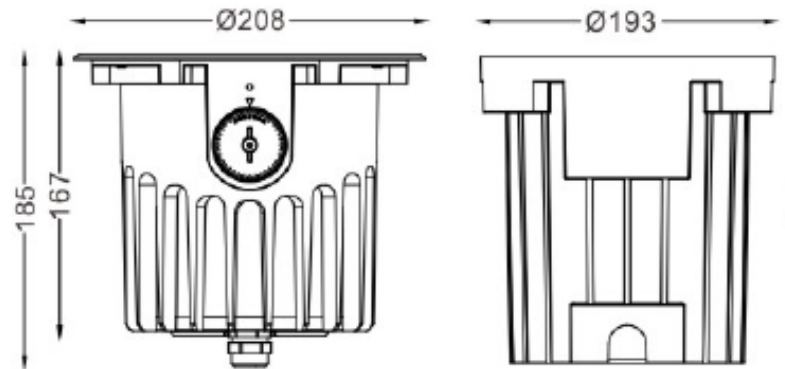
Technical Drawing-Depth Version  
BEAM DIRECTION ADJUSTABLE ON SIDE IN-GROUND LIGHT  
(Tilt- Angle+/- 25°)



**COB LED**  
Weight : 5.3 Kg



**SMD LED**

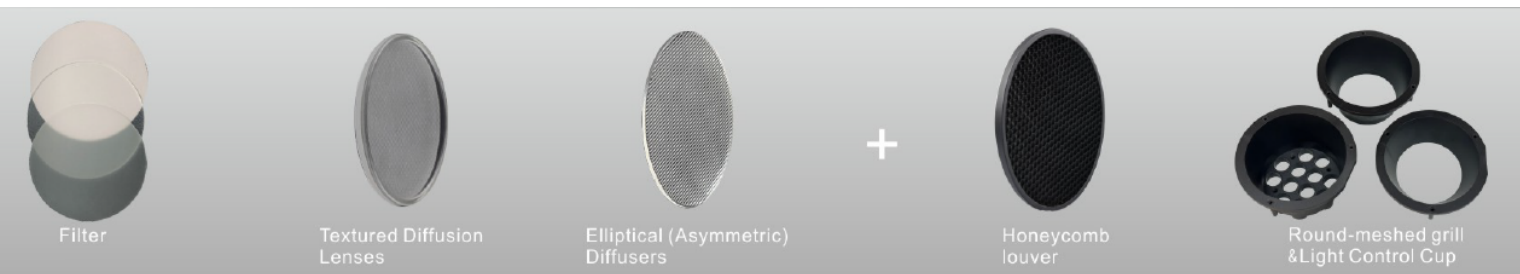


**Mounting Sleeve Material: ABS Plastic**  
**Length: 2000mm Cable**

Unit: mm



**Optical Accessories**



**Transmittance rate:**  
**50%**

**50%**

**70%**

**40%**

**SS316 Square Frame Cover**



**IP68 Cable Plug**



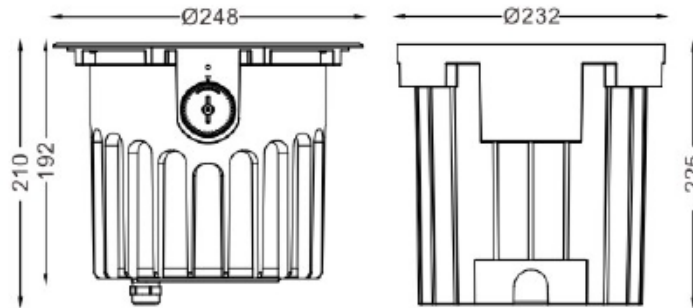
Technical Drawing-Depth Version  
BEAM DIRECTION ADJUSTABLE ON SIDE IN-GROUND LIGHT  
(Tilt- Angle+/- 25°)



**COB LED**  
Weight : 6.1 Kg



**SMD LED**

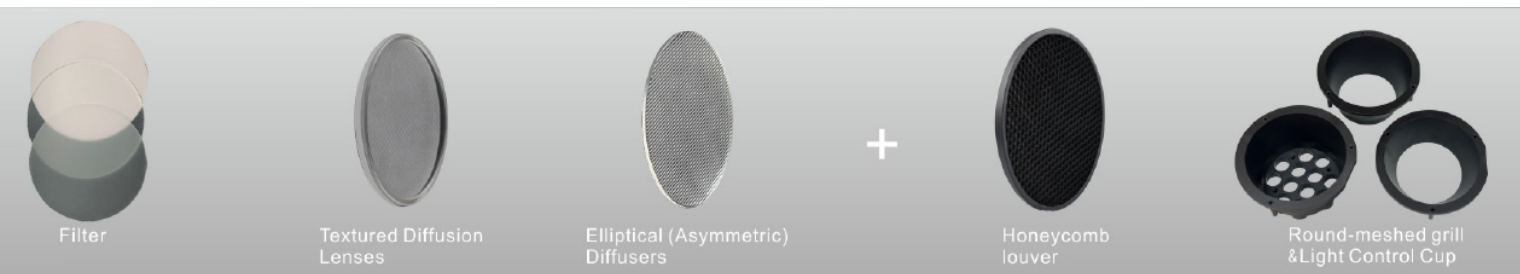


**Mounting Sleeve Material: ABS Plastic**  
**Length: 2000mm Cable**



Unit: mm

**Optical Accessories**



**Transmittance rate:**  
**50%**

**50%**

**70%**

**40%**

**SS316 Square Frame Cover**

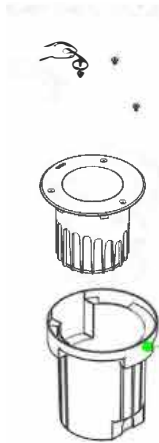


**IP68 Cable Plug**

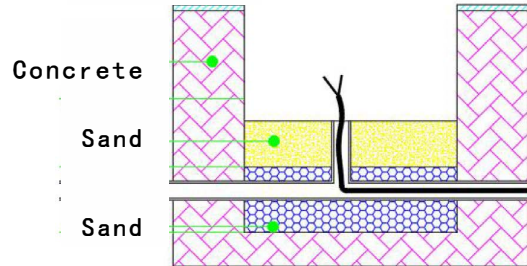


## INSTALLATION AND MAINTENANCE MANUAL

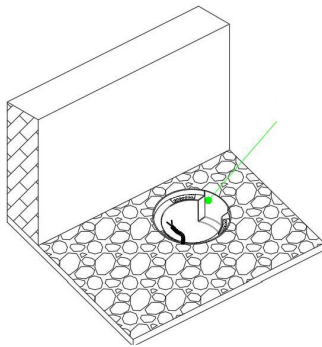
1



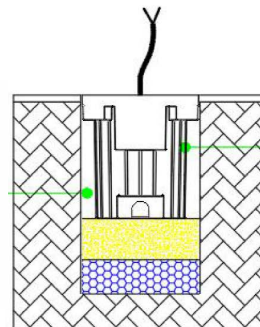
2



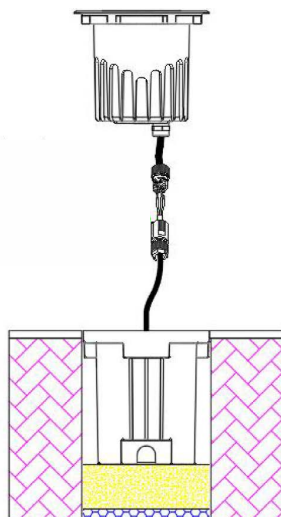
3



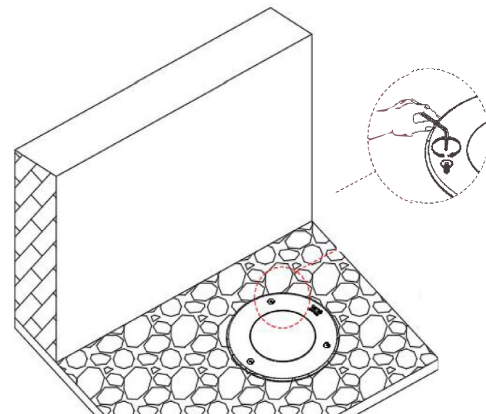
4



5

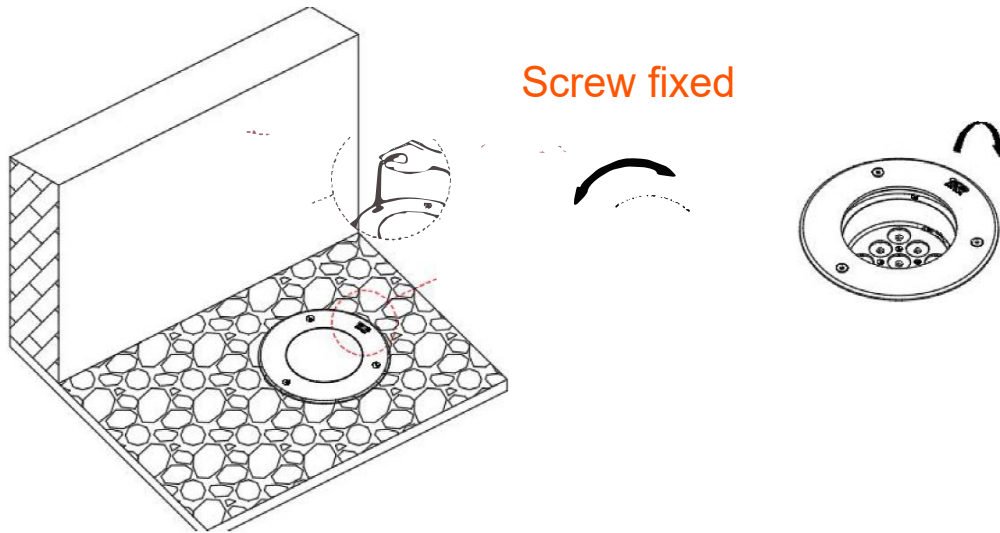


6

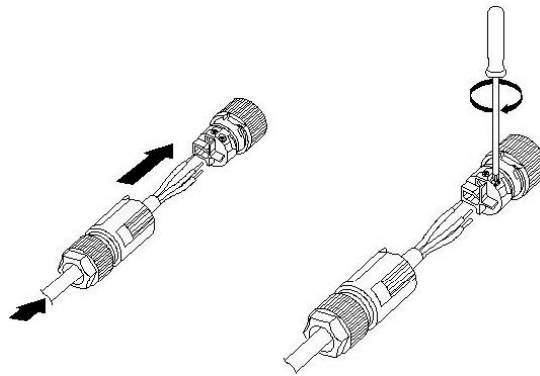


## INSTALLATION AND MAINTENANCE MANUAL

8



9



IP68 Plug connection

10

