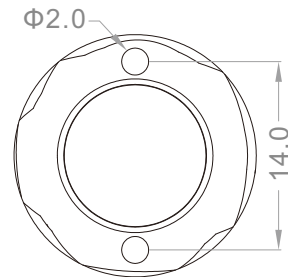
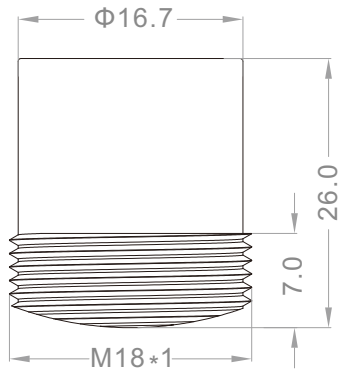
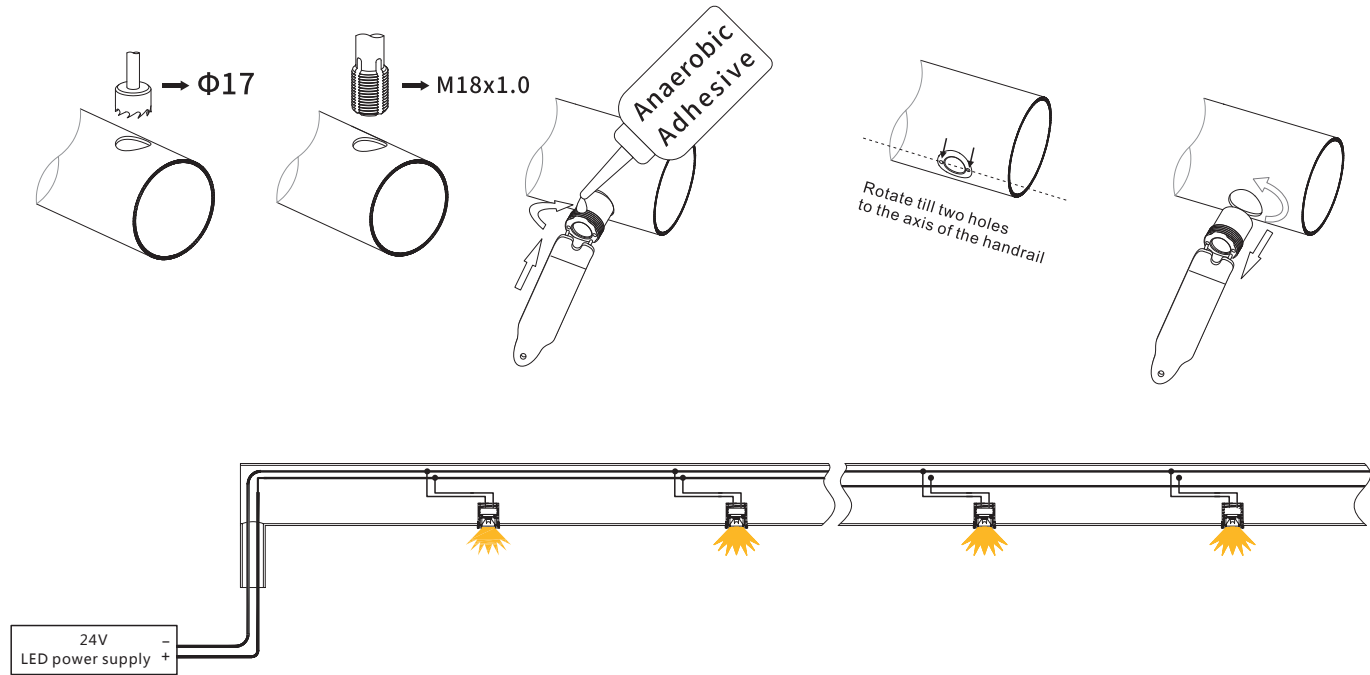


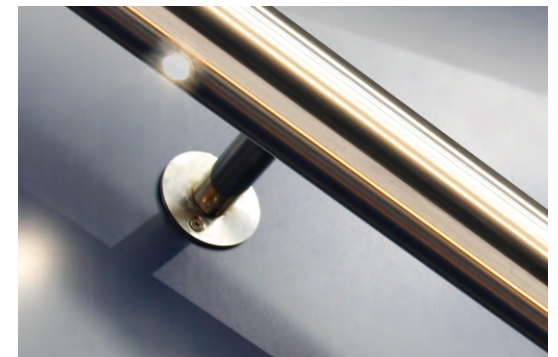
# Technical Drawing-M18



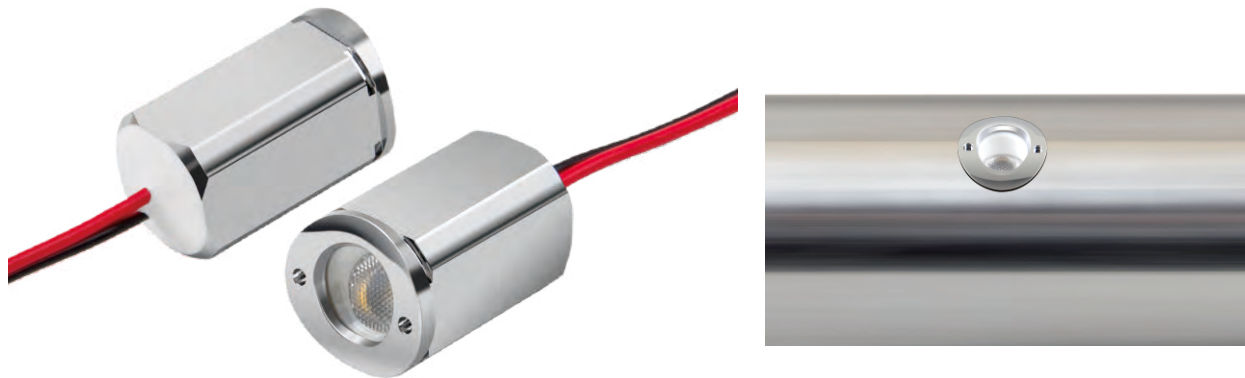
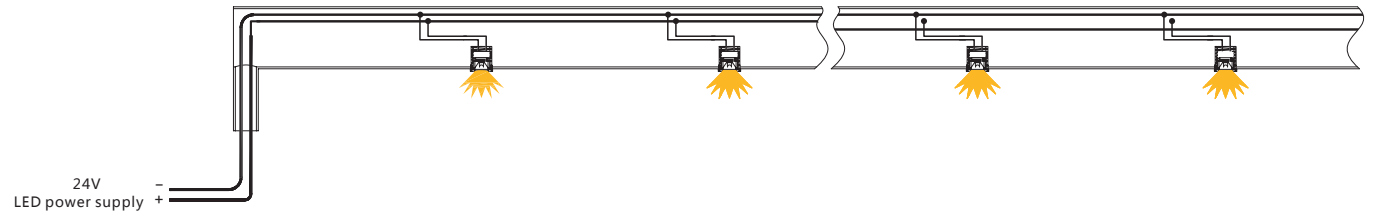
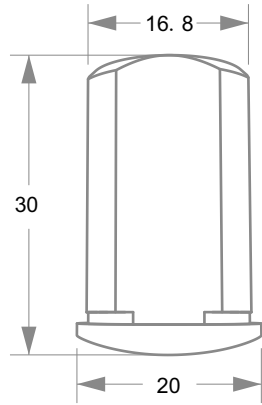
## Installation Method:



UNIT :mm



# Technical Drawing -M20



UNIT :mm

# Technical Drawing -M25

