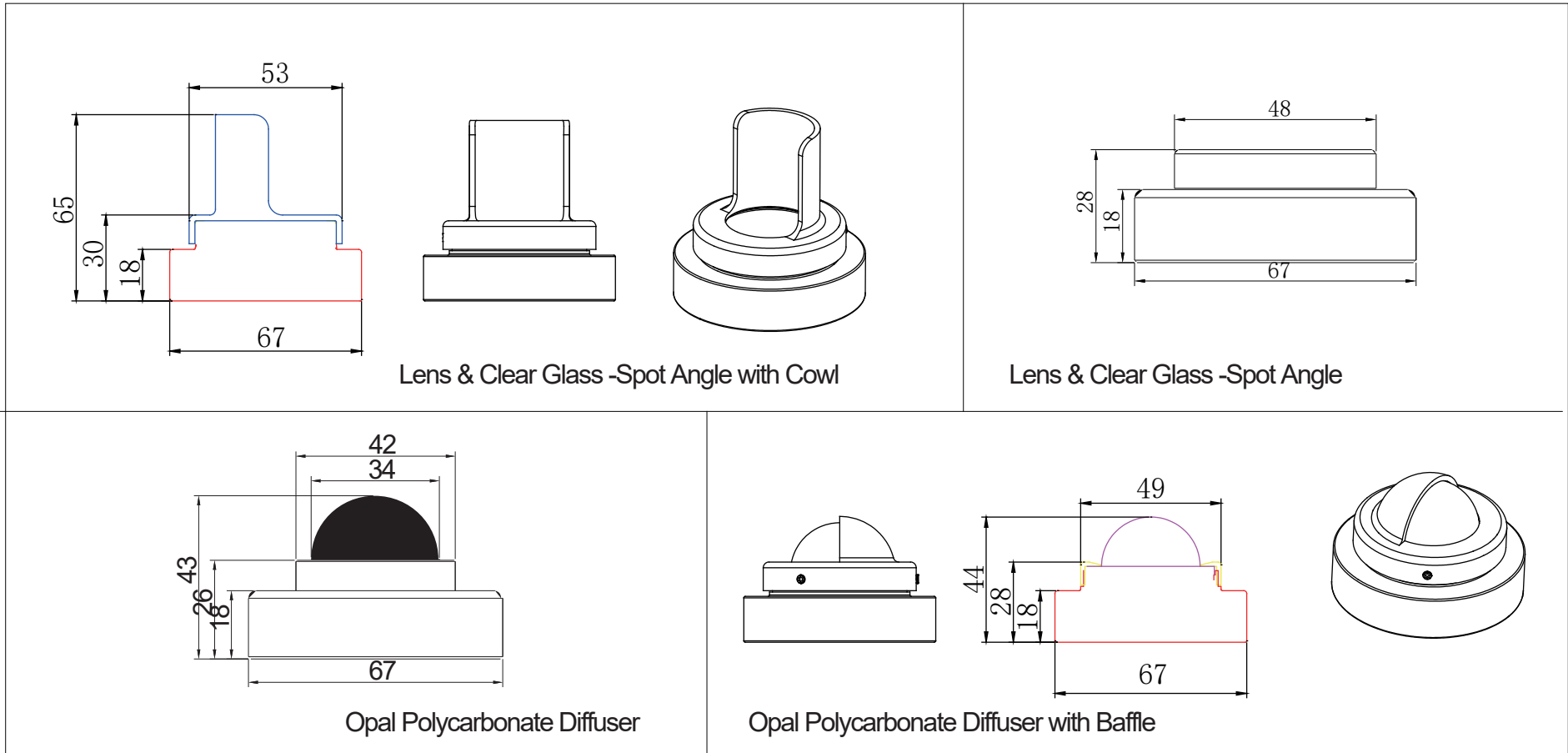


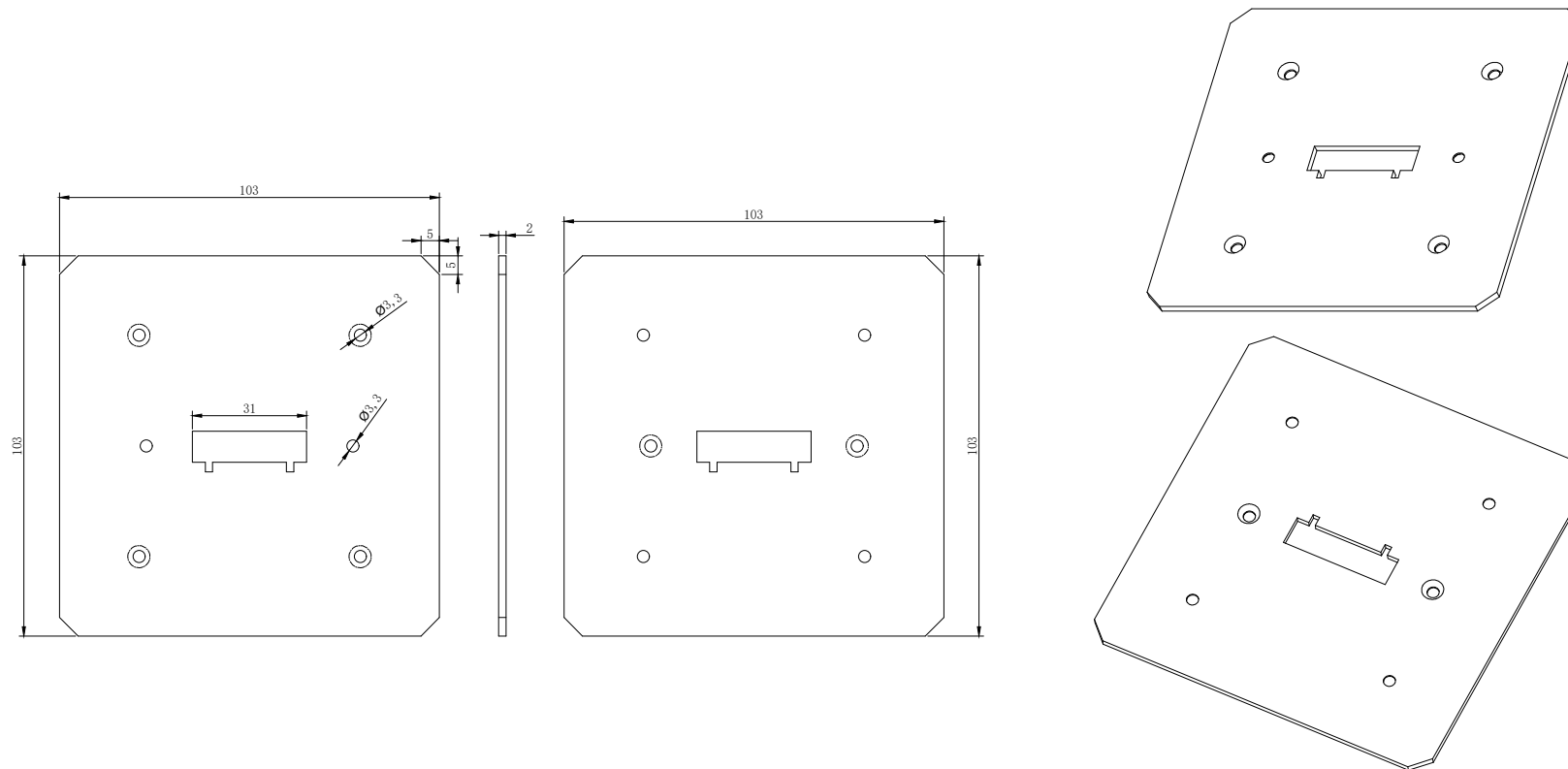
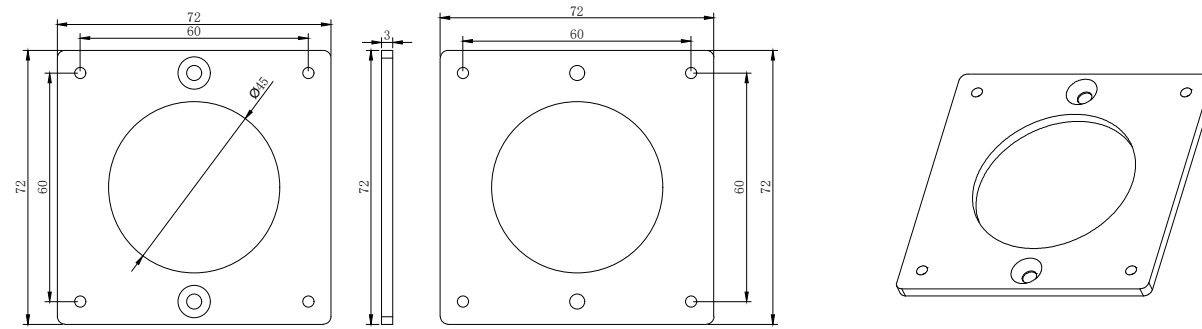
Technical Drawing



Unit: mm

Installation Plate for Junction box

P/N: PIYAD-JBP



DIMON
Technology

DIMON Technology Ltd.
Tel:00852-3916 5876
Fax:00852-21203398
Http://www.dimontechnology.com
E-mail:gary@dimontechnology.com

Job Title:
PIYAD Lighting Mounting Part

Drawing Name:
Technical Drawing

Drawing NO. : TD-001

Drawing Scale: AS SHOW

Drawing Date: 2022/07/12

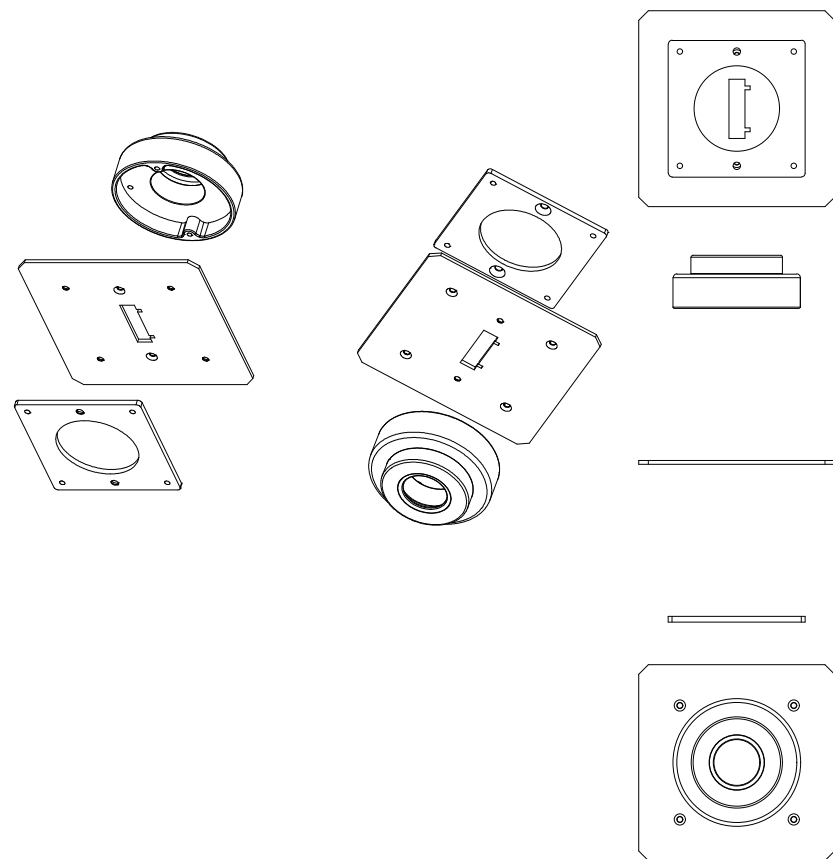
Drawing: Joyi

Collate: Alove

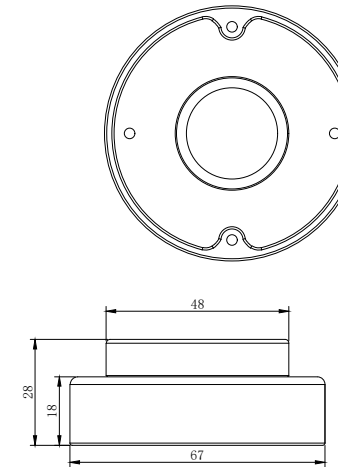
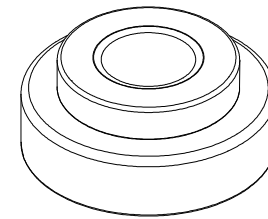
Auditing: Denny

Drawing Version: V1

1:2 @ A3

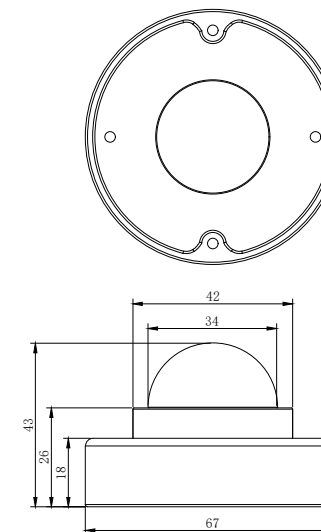
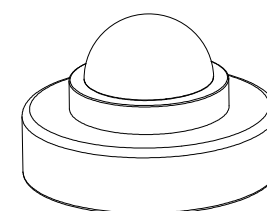


1:3 @ A3



Lens & Clear Glass -Spot Angle

1:2 @ A3



Opal Polycarbonate Diffuser

1:2 @ A3

DIMON
Technology

DIMON Technology Ltd.
Tel:00852-3916 5876
Fax:00852-21203398
Http://www.dimontechnology.com
E-mail:gary@dimontechnology.com

Job Title:

PIYAD Lighting

Drawing Name:

Technical Drawing

Drawing NO. : TD-002

Drawing Scale: AS SHOW

Drawing Date: 2022/07/12

Drawing: Joyi

Collate: Alove

Auditing: Denny

Drawing Version: V1