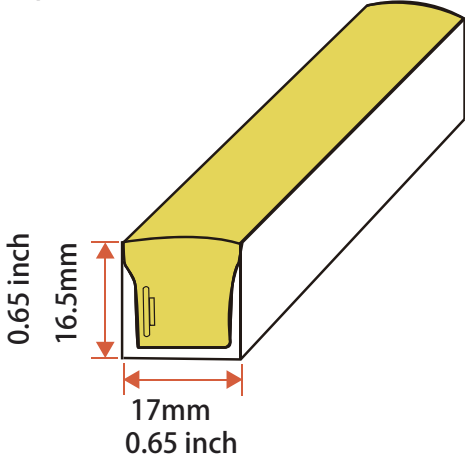
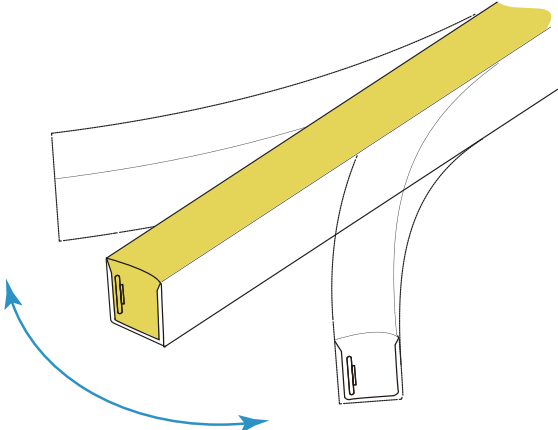


# Technical Drawing

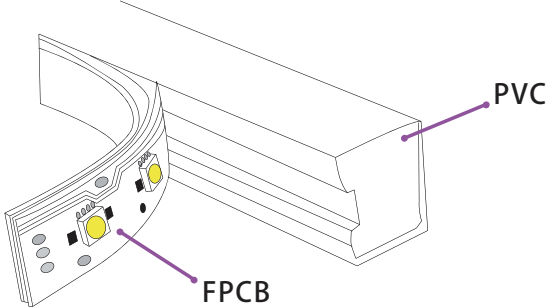
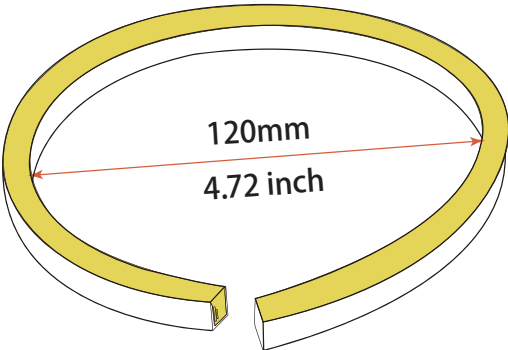
Light profile



Bending direction



Min. bending diameter



Unit: mm