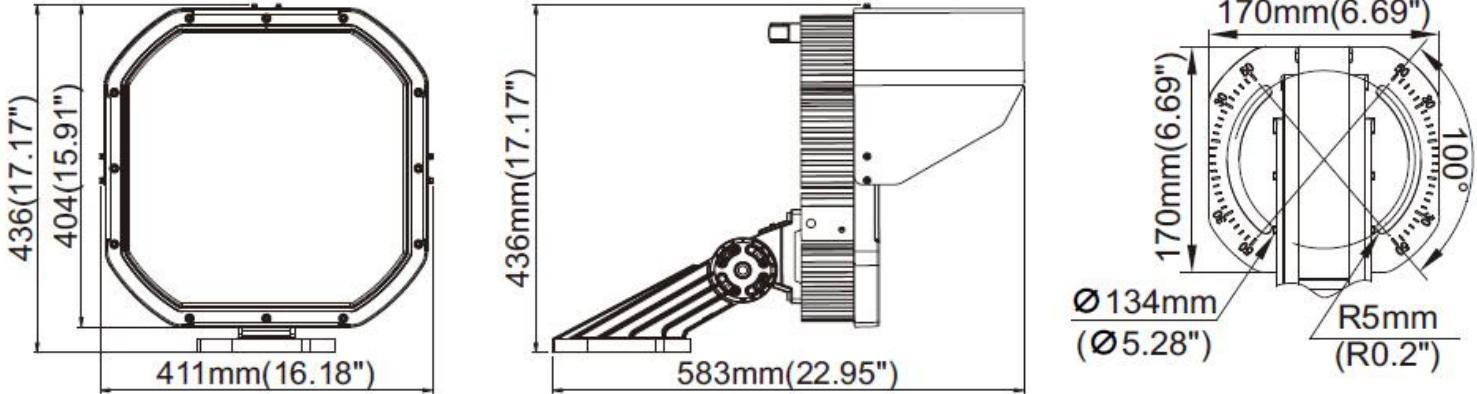


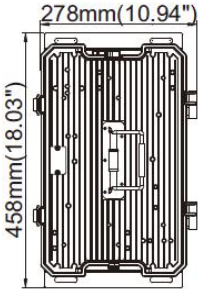
Technical Drawing



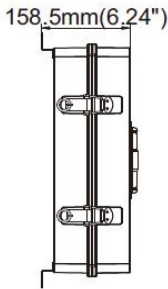
Fixture



Back up driver box



600W/1200W Driver box



Mounting Options



U bracket mount

Unit: mm

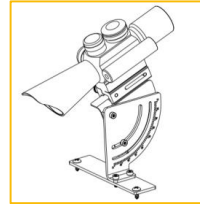
Accessories



Aiming device

Exact aiming to help easy install upon lighting simulation.

Code: AD-A00-01



Adjustable bracket for Aiming device

SPCC materials, installed in fixture body
20° beam angle adjustable.

Code: BC-A00-01



Visor

SPCC materials.

Code: BC-F18-01



U bracket

SPCC materials.

Code: BC-F18-04

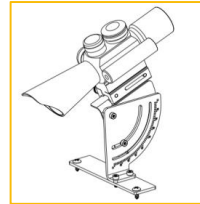
Accessories



Aiming device

Exact aiming to help easy install upon lighting simulation.

Code: AD-A00-01



Adjustable bracket for Aiming device

SPCC materials, installed in fixture body
20° beam angle adjustable.

Code: BC-A00-01



Visor

SPCC materials.

Code: BC-F18-01



U bracket

SPCC materials.

Code: BC-F18-04

