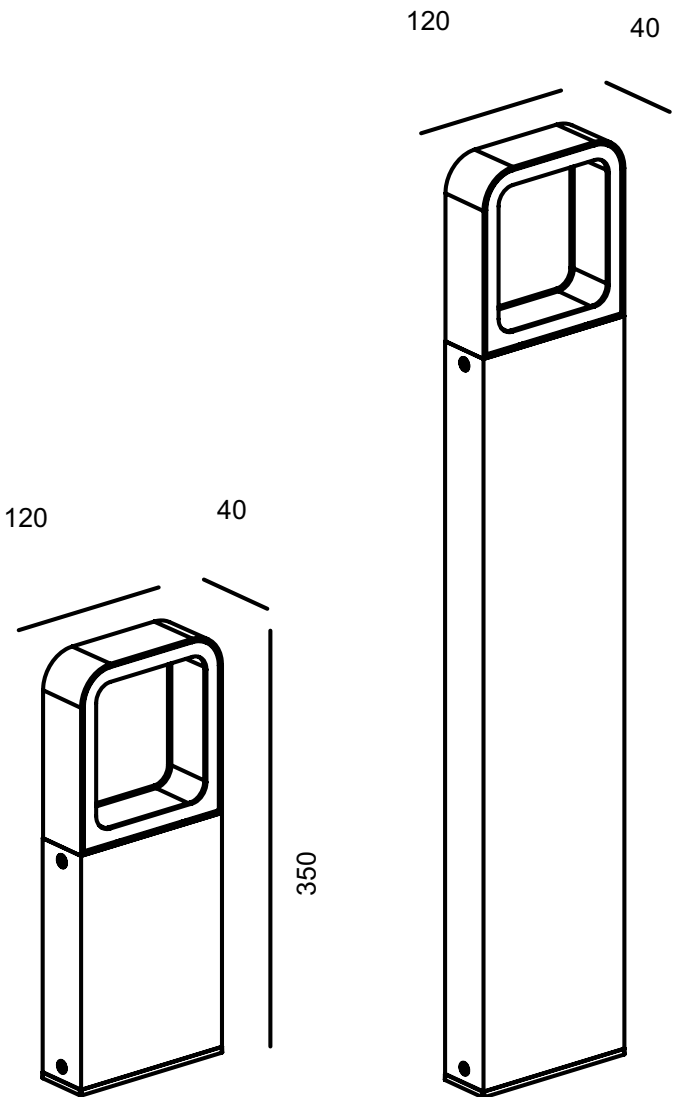
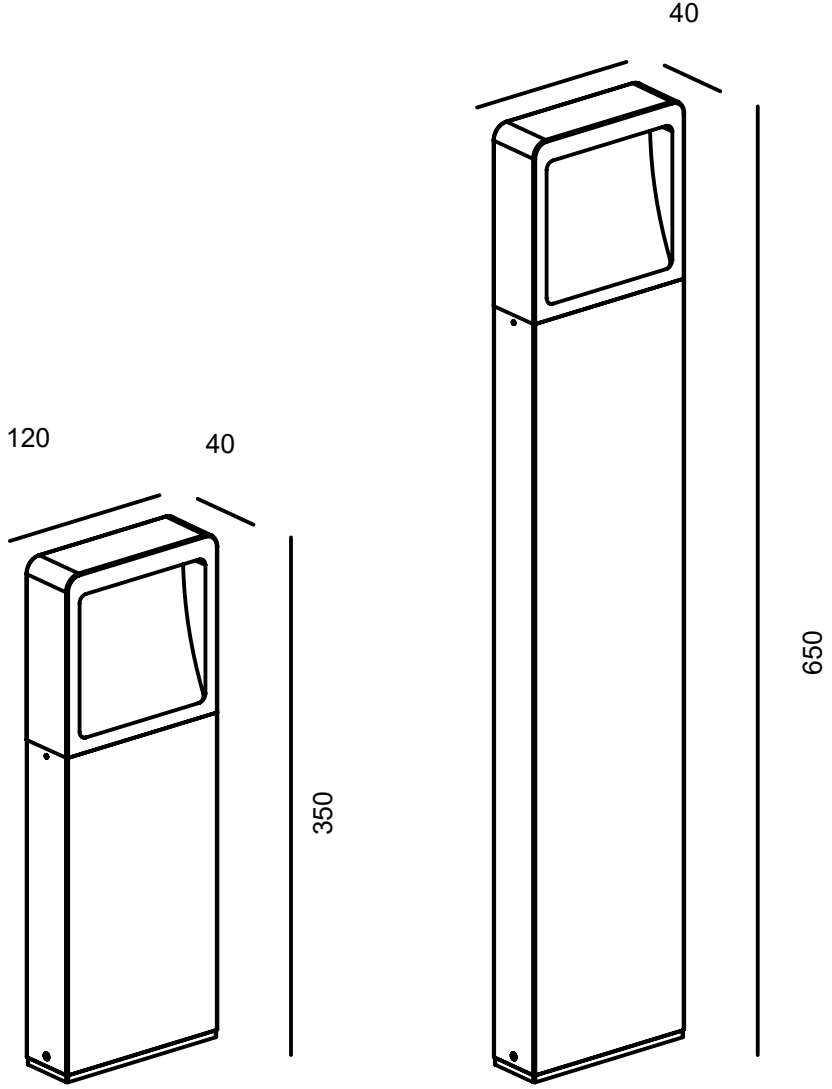


Technical Drawing



Double Side light distribution



Single Side light distribution

Unit: mm