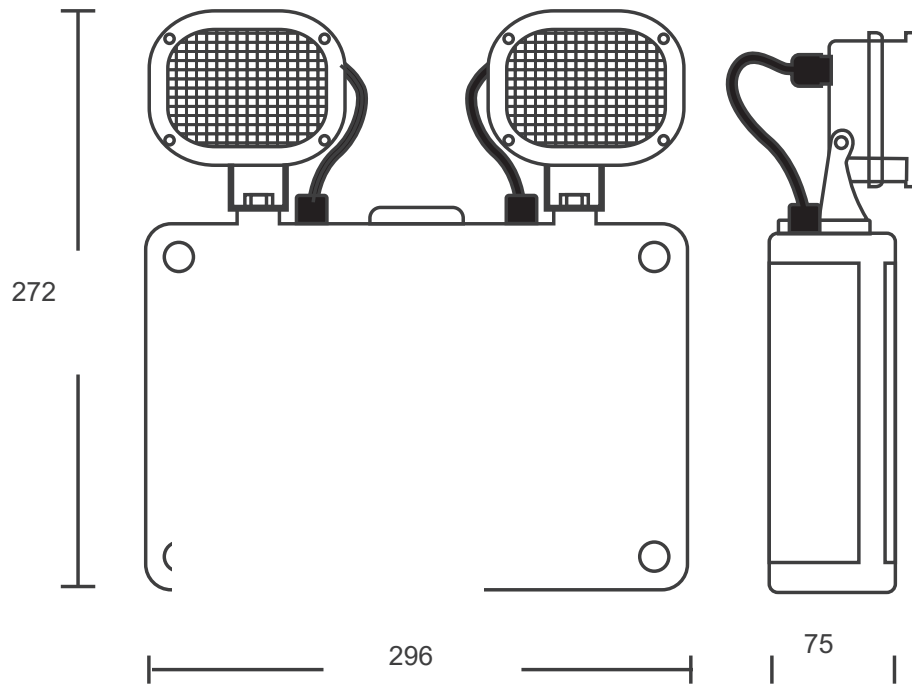
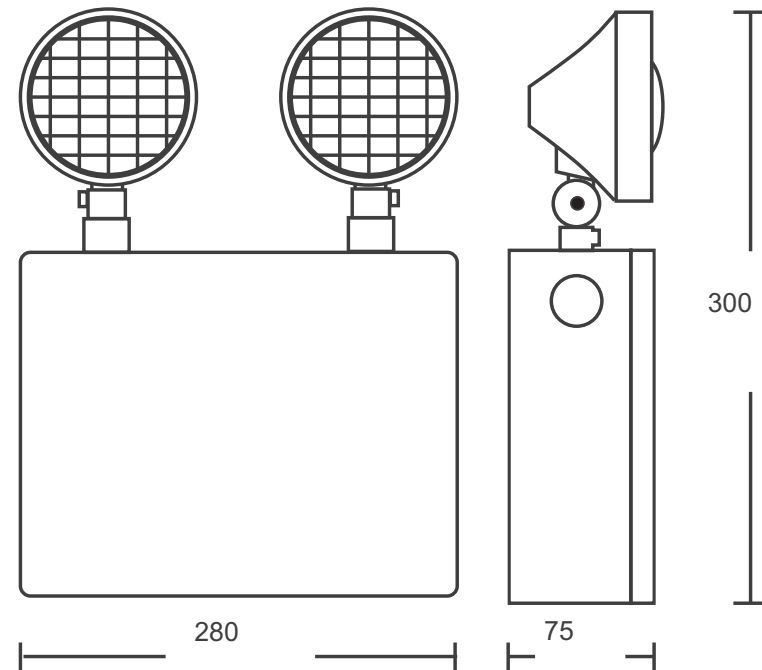


Technical Drawing



Spot Beam Angle



Wide Beam Angle

UNIT :mm