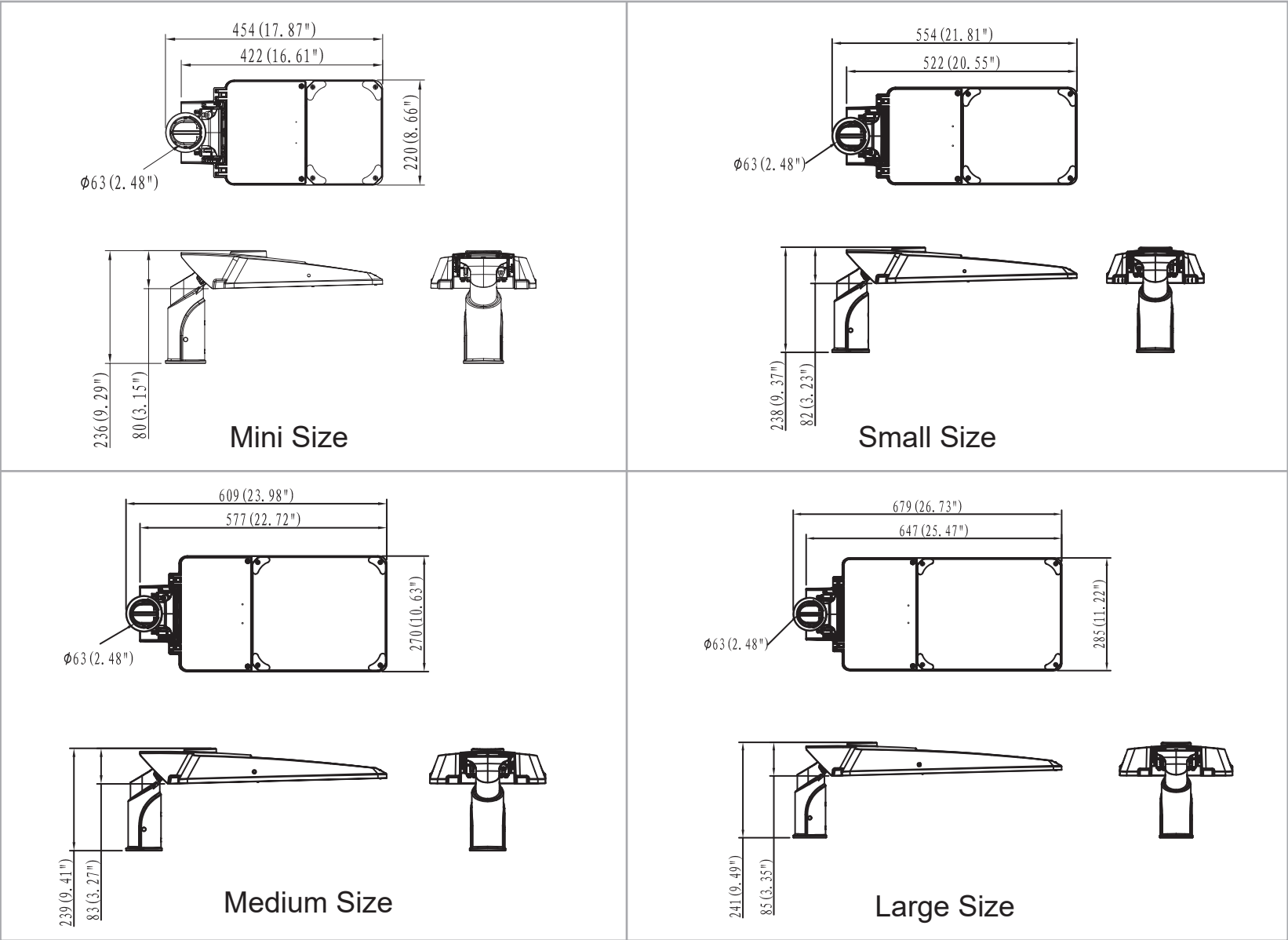


Technical Drawing

Post Top



Technical Drawing

Side Entry

