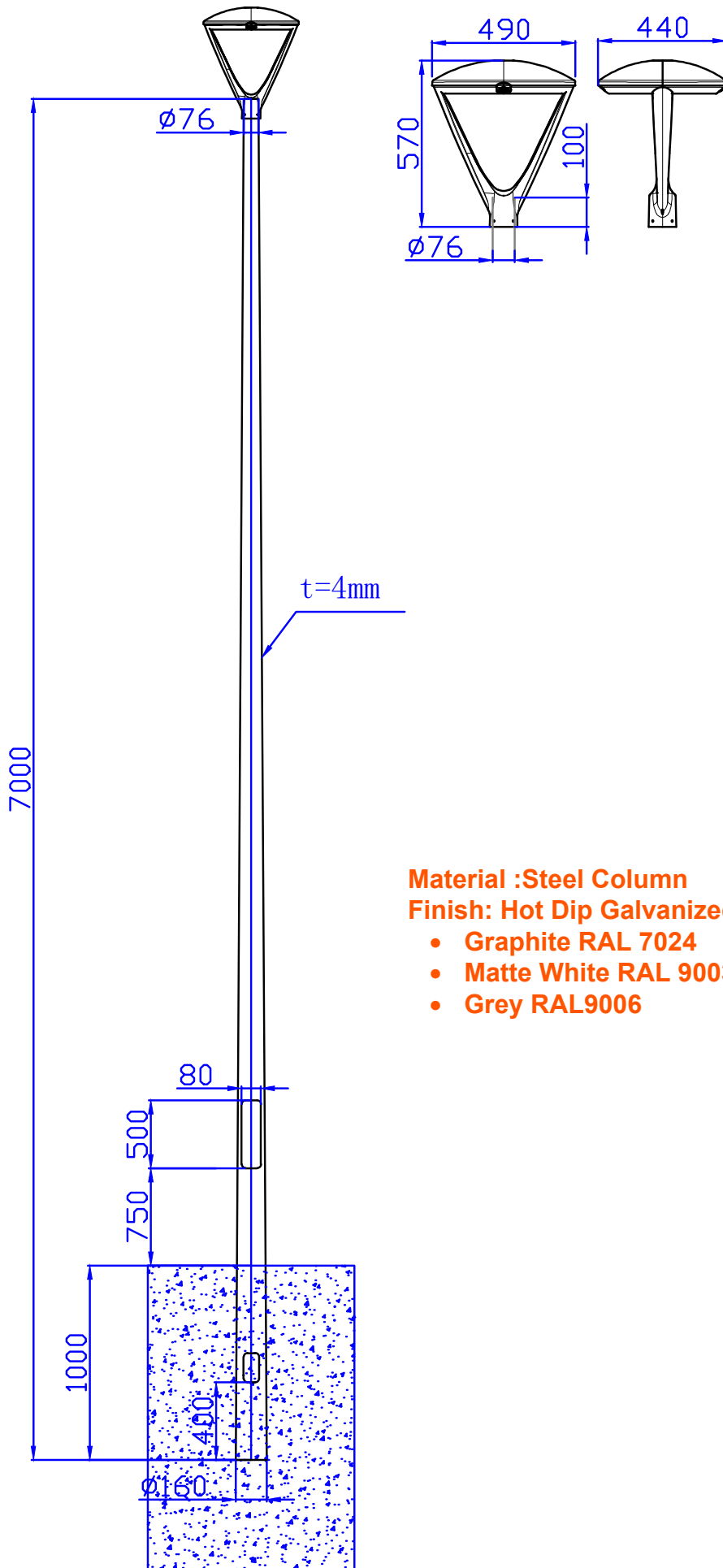


# TX- Column-Rooting Type



## General Notes



1

- Material :Steel Column**  
**Finish: Hot Dip Galvanized and Power Coating**
- Graphite RAL 7024
  - Matte White RAL 9003
  - Grey RAL9006

**DIMON**  
TECHNOLOGY

Title	7m Pole
Drawn	
Date	9.Mar.2022
Scale	DO NOT SCALE
Job No.	220309
Dwg No.	HYP20220309-1
Revision	V 1.0