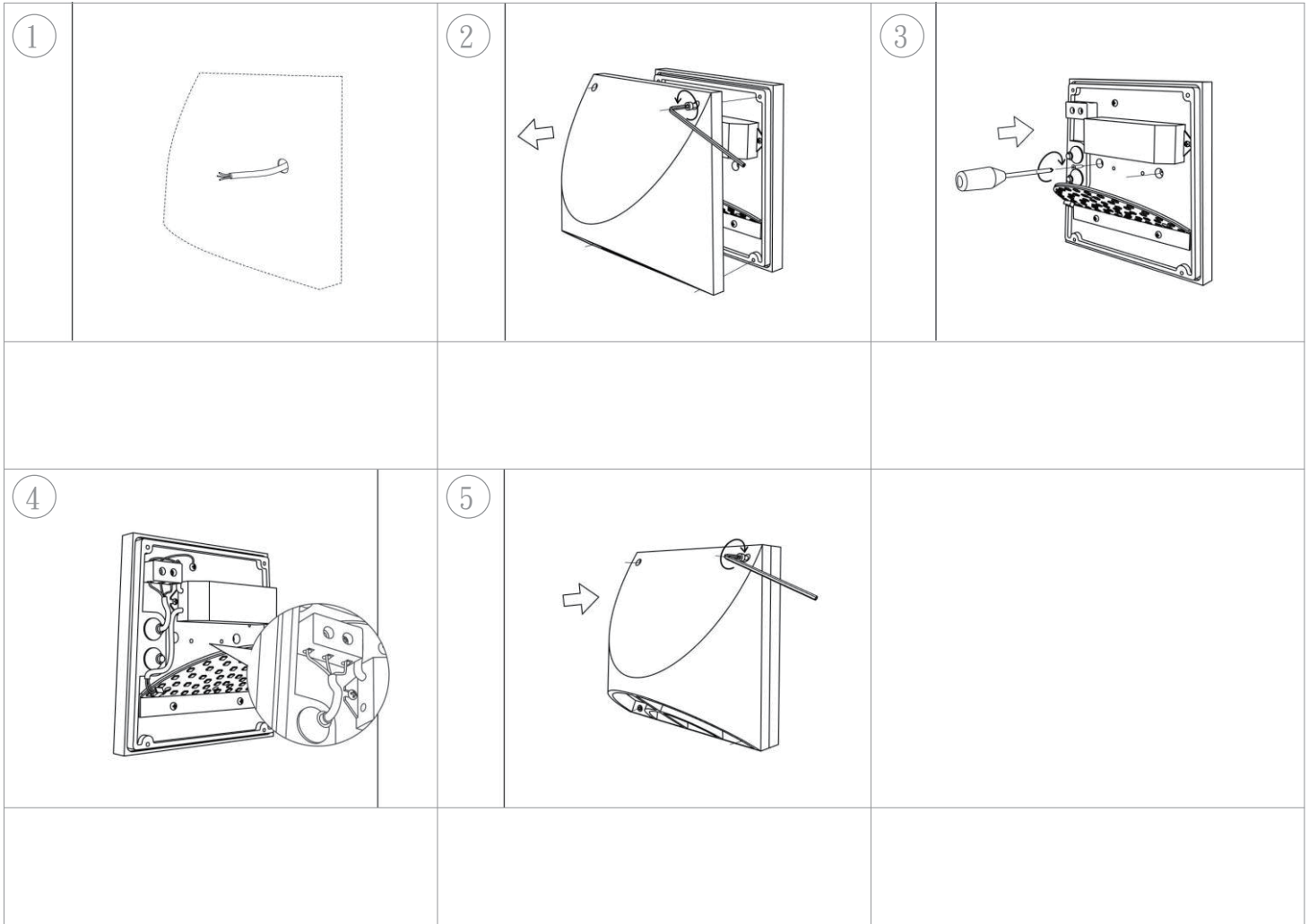


Fixture type: LED WALL Light ACE Series



Remark: The fixture must be properly grounded to avoid accidental power leakage and electric shock.

The fixture must be installed by a qualified electrician. Before installing be sure to turn the power off.

\*For more details, refer to the WEGE data sheet