

Accessory

Connectors & Aluminum Profile

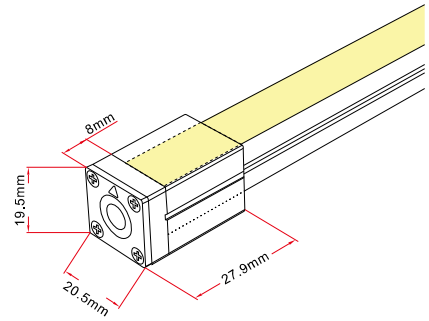
1.1 Transparent PC Fast End Cap



Fast End Cap

Termination Protection of the light, IP67 DIY connector

Transparent PC Mounting piece *1
Transparent PC Stopper *1
Transparent PC Anti-skidding Clip *1
Waterproof Rubber Gasket *1
Transparent PC Pads *1
Metal Blank End *1
Screws *4



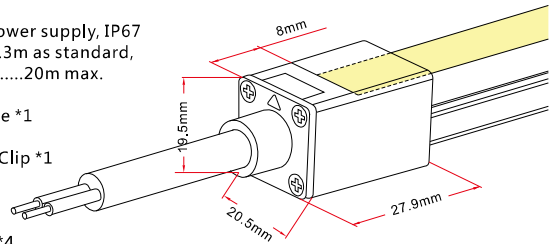
1.2 Transparent PC Fast Connector



Fast Tail Connector

Connecting the neon flex to power supply, IP67 DIY connector, cable length: 0.3m as standard, Available Customized in 0.5m.....20m max.

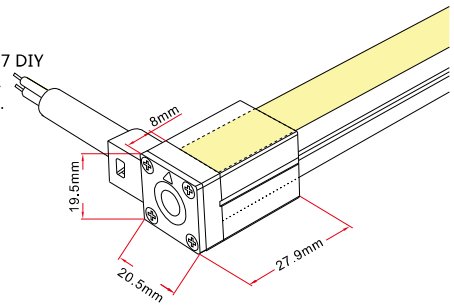
Transparent PC Mounting piece *1
Transparent PC Stopper *1
Transparent PC Anti-skidding Clip *1
Waterproof Rubber Gasket *1
Transparent PC Pads *1
Metal Blank End *1
Tail Connector *1 Screws *4



Fast Side-edge Connector

Connecting neon flex to power supply, IP67 DIY connector, cable length: 0.3m as standard, Available Customized in 0.5m.....20m max.

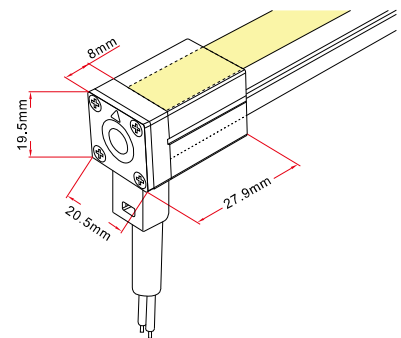
Transparent PC Mounting piece *1
Transparent PC Stopper *1
Transparent PC Anti-skidding Clip *1
Waterproof Rubber Gasket *1
Transparent PC Pads *1
Metal Blank End *1
Side-edge Connector *1 Screws *4



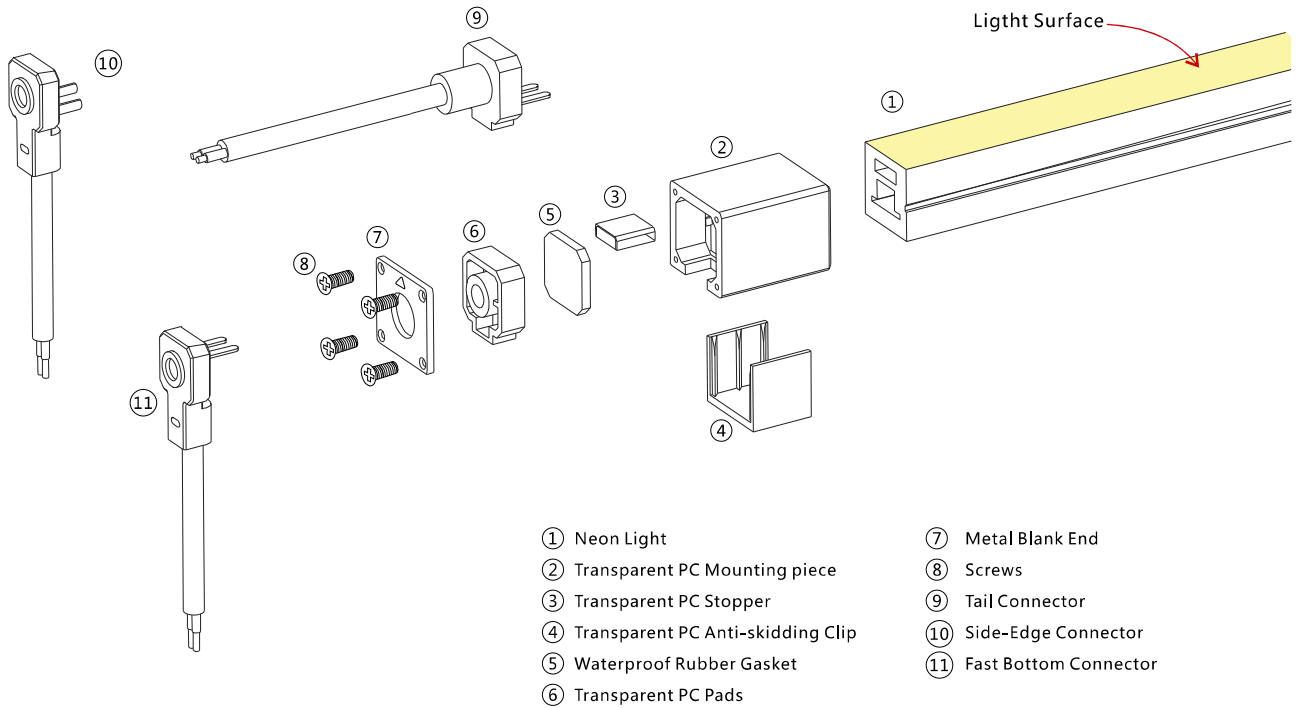
Fast Bottom Connector

Connecting neon flex to power supply, IP67 DIY connector, cable length: 0.3m as standard, Available Customized in 0.5m.....20m max.

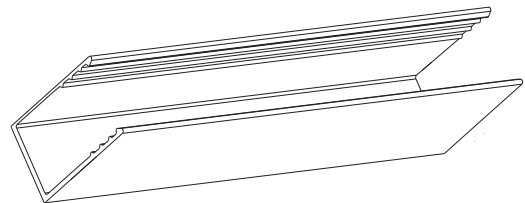
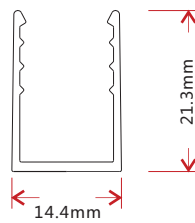
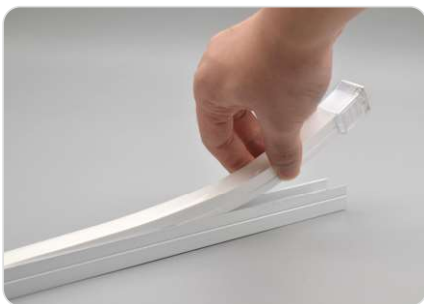
Transparent PC Mounting piece *1
Transparent PC Stopper *1
Transparent PC Anti-skidding Clip *1
Waterproof Rubber Gasket *1
Transparent PC Pads *1
Metal Blank End *1
Bottom Connector *1 Screws *4



1.3 Exploded Drawing



1.4 Aluminum Profile

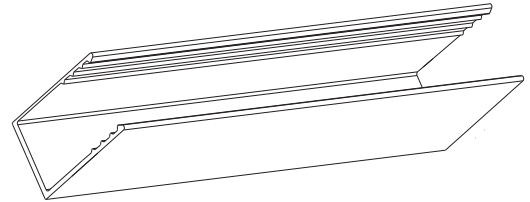
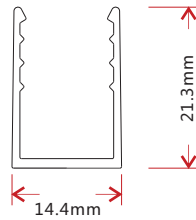


Code	W*H(mm)	Standard Length(mm)	Matching Neon Light Length(mm)	Screw Hole (mm)	Hole Number
DM-N1615-005	19*18	455	500	Φ3.5	2
		955	1000	Φ3.5	3
		1455	1500	Φ3.5	4
		1955	2000	Φ3.5	5

Notes:

1. Aluminum Profiles's raw material is 6063 AL, silvery colour and anodizing as stadard, white/black paint available;
2. These are the AL Profile recommended cutting length, in order to matching the different length of Neon Light;
3. Any customized Length available too, such as 1.2m or 1.4oy or 3.5m, and 5m length maximum;
4. Each 0.3m length with 1 hole and 1 screw, and installation referece to the user manual;

1.5 Trasparent PC Profile

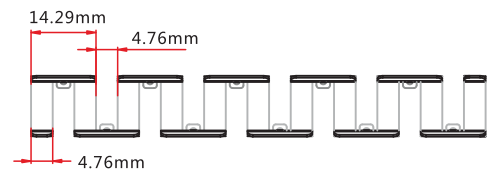
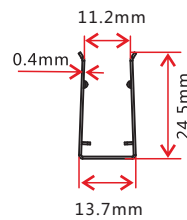
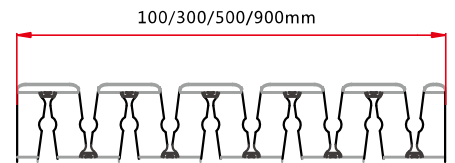


Code	W*H(mm)	Standard Length(mm)	Matching Neon Light Length(mm)	Screw Hole (mm)	Hole Number
DM-N1615-005	19*18	455	500	Φ3.5	2
		955	1000	Φ3.5	3
		1455	1500	Φ3.5	4
		1955	2000	Φ3.5	5

Notes:

1. This transparent Profiles's raw material is PC, and the customized milky color possible too;
2. These are the Profile recommended cutting length, in order to matching the different length of Neon Light;
3. Any customized Length available, installation referece to the user manual;

1.6 Curve Stainless Steel Profile



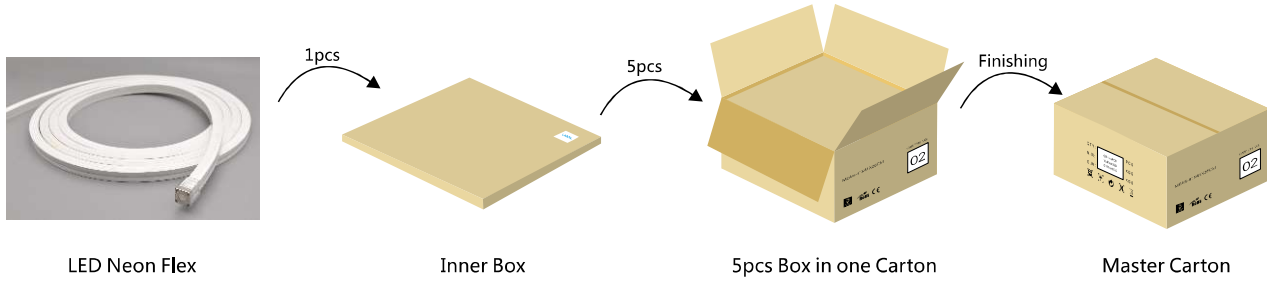
Model: DM-SQ-DW-CH

Note: Unless otherwise stated, the tolerance of the profile is $\pm 0.5\text{mm}$

Packaging Information

Packaging & Testing

1.7 Packaging Method



Packaging Details	White Box Dimension (cm)	Carton Dimension (cm)	Numbers of White Box	Carton Weight (kg)
Light Length	Inner Box Dimension (cm)	Carton Dimension (cm)	Number of inner box	Carton Weight (kg)
<4.5m	40*40*6	44*44*26	4	<6.9
5-8m	52*52*6	56*56*26	4	7.6-11.6
10m	61*61*6	65*65*26	4	14.2
15m	68*68*6	71*71*15	2	10.9
20m	74*74*6	76*76*15	2	14.2