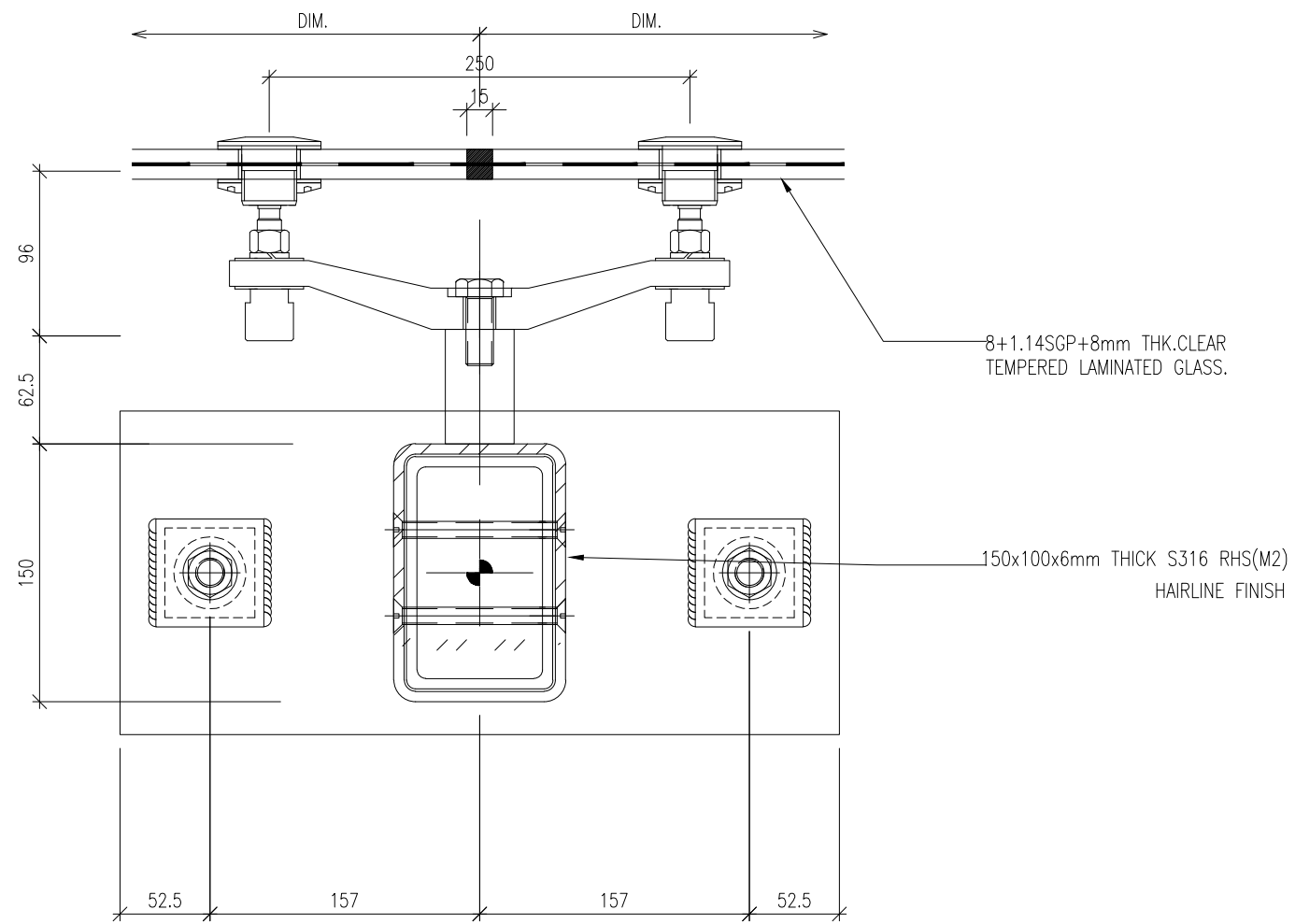


CHLOE @ SKY68

Drawing Status :
Ref NO.:
Client
Contractor:
Supplier:
<p>DIMON Technology</p> <p>DIMON Technology Ltd. Tel: 00852-3916 5876 Fax: 00852-21203398 Http://www.dimontechnology.com E-mail:gary@dimontechnology.com</p>
Project:
Job Title:
Drawing Name:
Drawing NO.: QPBE20034-PL07
Drawing Scale: AS SHOW
Drawing Date: 2020/06/30
Drawing: KP
Collate: Joyi
Auditing: Gray Hui
Drawing Version: 1



1
DE05 DETAIL

CHLOE @ SKY68

Drawing Status :

Ref NO.:

Client

Contractor:

Supplier:

DIMON
Technology

DIMON Technology Ltd.

Tel: 00852-3916 5876

Fax: 00852-21203398

Http://www.dimontechnology.com

E-mail:gary@dimontechnology.com

Project:

Job Title:

Drawing Name:

Drawing NO.: QPBE20034-DE05

Drawing Scale: AS SHOW

Drawing Date: 2020/06/30

Drawing: KP

Collate: Joyi

Auditing: Gray Hui

Drawing Version: 1