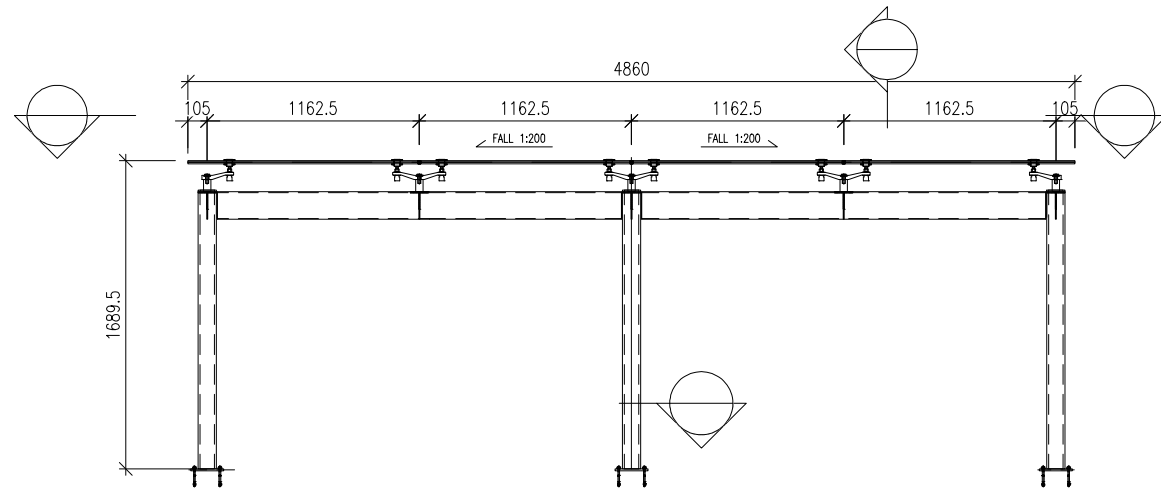
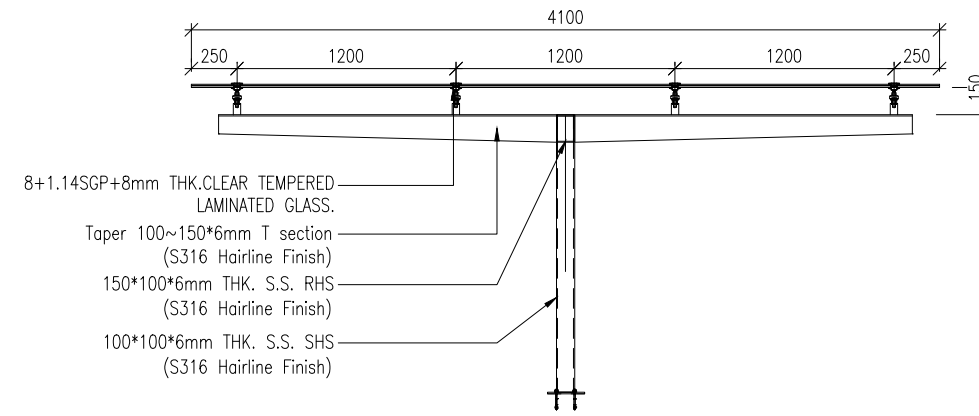


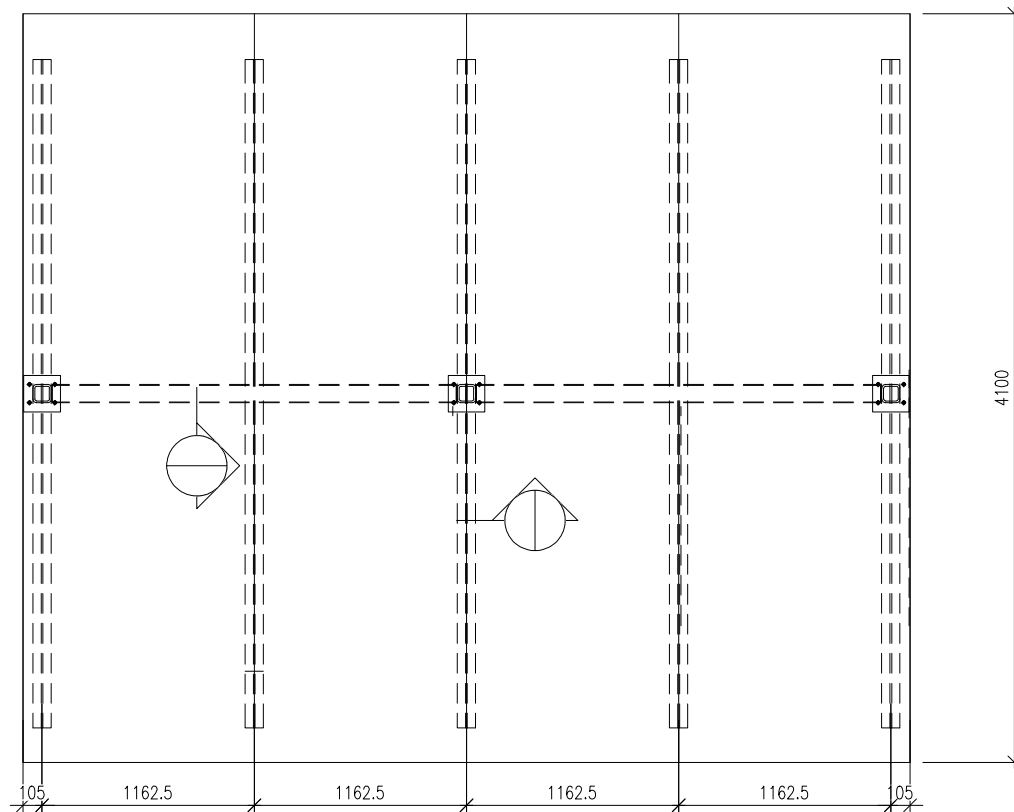
CHLOE@SKY628



TYPE ELEVATION TO E1 E2 E3
E7 & E12 SIMILAR

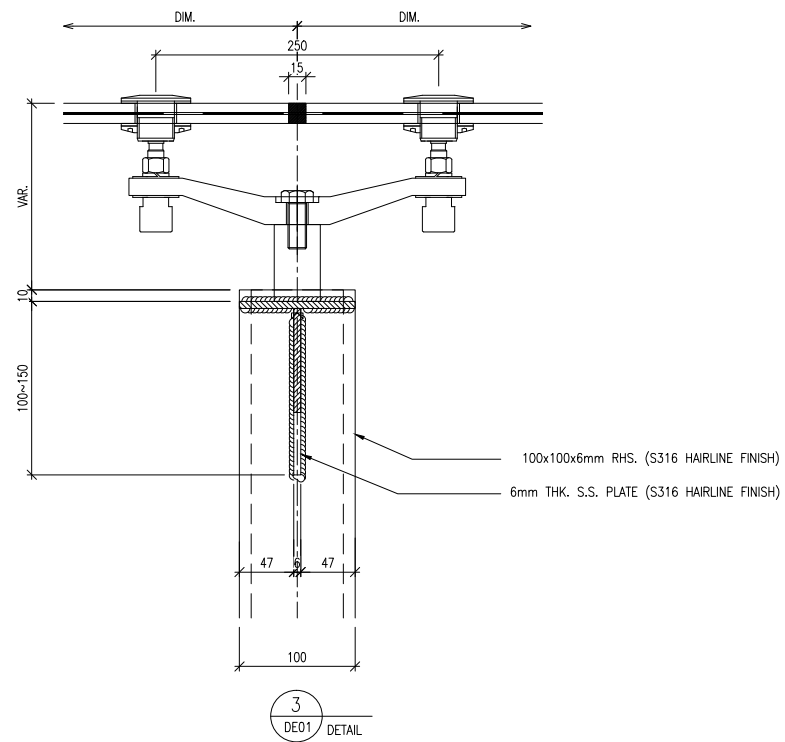
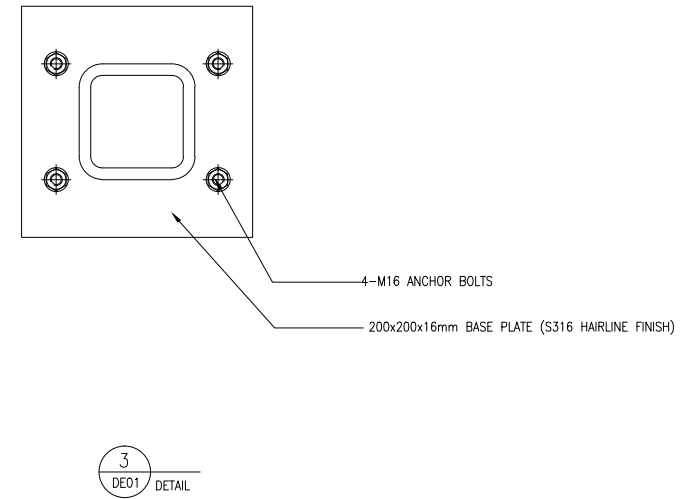
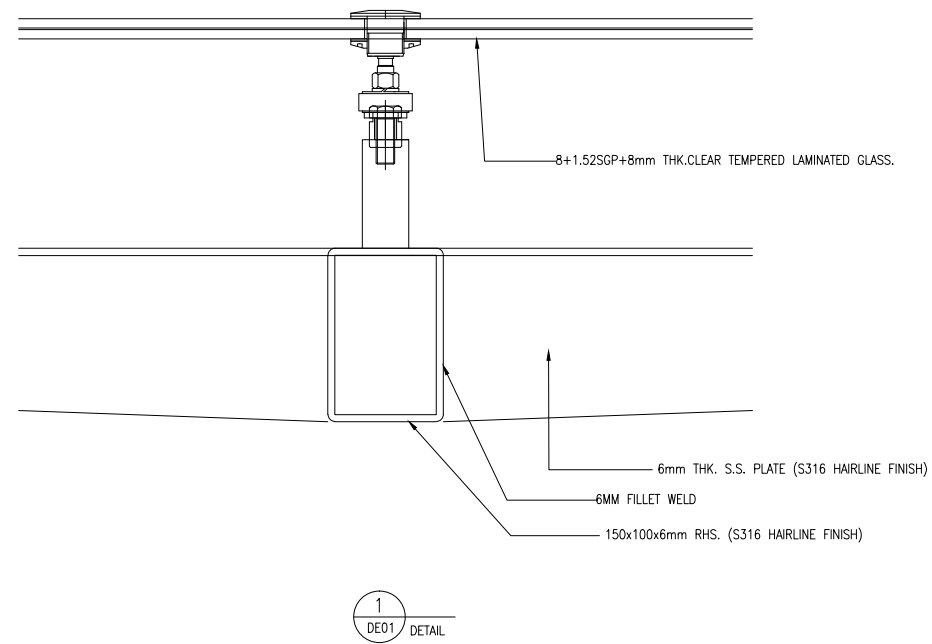


SECTION



SECTION

Drawing Status :
Ref NO.:
Client
Contractor:
Supplier:
<p>DIMON Technology</p> <p>DIMON Technology Ltd. Tel: 00852-3916 5876 Fax: 00852-21203398 Http://www.dimontechnology.com E-mail:gary@dimontechnology.com</p>
Project:
Job Title:
Drawing Name:
Drawing NO.:
Drawing Scale: AS SHOW
Drawing Date: 2020/06/30
Drawing: KP
Collate: Joyi
Auditing: Gray Hui
Drawing Version: 1



CHLOE@SKY628

Drawing Status :
Ref NO.:
Client
Contractor:
Supplier:
DIMON Technology DIMON Technology Ltd. Tel: 00852-3916 5876 Fax: 00852-21203398 Http://www.dimontechnology.com E-mail:gary@dimontechnology.com
Project:
Job Title:
Drawing Name:
Drawing NO.:
Drawing Scale: AS SHOW
Drawing Date: 2020/06/30
Drawing: KP
Collate: Joyi
Auditing: Gray Hui
Drawing Version: 1