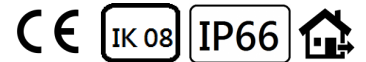


F-SPAMY - HQ

Dia68,Dia86,Dia108 & Dia140mm LED Projector Light




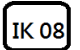
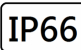

Special housing designs and high-quality optical components specifically for demanding visual tasks to provide enhanced visual comfort.
Discreet and compact aesthetically designed architectural outdoor spotlight, ideal for glare-free accent lighting, floodlighting and wall washing in the outdoor area.
Corrosion-resistant ADC12 # die-casting aluminium body gives the luminaire good thermal conductivity, and large area connections between the rear of the housing and the LED's PCB ensure good heat conduction.

F-SPAMY - HQ

Dia68,Dia86,Dia108 & Dia140mm LED Projector Light

DIMON
TECHNOLOGY

Technical Data

Installation Method / 安裝方式 Metodo de instalacion	Surface Mounted and Adjustable Type / Spike Mounted / Tree Mounted / Pole Mounted 表面安裝和可調型/釘裝/樹裝/桿裝 Montado en superficie y tipo ajustable / Montado en púas / Montado en árbol / Montado en poste
Optical Accessories / 光學配件 Accesorios ópticos	Honeycomb Louver / Cylindrical Hood / Cylindrical Hood Angle 45° 蜂巢百葉窗/圓柱形罩/圓柱形罩角度 45° Rejilla de panal / capó cilíndrico / ángulo de capó cilíndrico 45°
Rotation angle / 旋轉角度 Ángulo de rotación	Vertical : 180° Horizontal : 355°
Power Consumption with LED Driver LED燈具包括LED驅動電源功率 Consumo de energía con controlador de LED	5W 6W 8W 11W @ Dia 68mm 12W 16W 20W 24W @ Dia 86mm 20W 25W 30W 35W @ Dia 108mm 30W 35W 40W 45W @ Dia 140mm
Input Voltage / 輸入電壓 Voltaje de entrada	220-240VAC 50-60HZ 24VDC / 48VDC
LED Driver Type LED驅動款式 Tipo de controlador LED	Integrated-type LED Driver--Constant Current LED Driver: Refer to LED driver specification 請參閱LED驅動器規格 Consulte la especificación de controlador de LED 1. ON/OFF Switch AC220-240V 50/60HZ 2. DC 24V / DC 45V 3. 0/1 -10V Dimming Driver AC220-240V 50/60HZ 4. DALI Dimming Driver AC220-240V 50/60HZ 5. DMX Driver AC220-240V 50/60HZ (Dimming range from 0-100%) 6. Remoted Type Emergency Backup >2 hours
Power Factor / 功率因數/Factor de potencia	PF>0.9
Total Harmonic Distortion/總諧波失真/Distorsión armónica total	THD <20%
Light Source Brand-光源品牌-Fuente de luz de marca	CREE / Bridgelux / Citiled
"Lumen Maintenance LM-80 Reported by TM-21"	L70(10k) > 54,000 hrs
LED Life-LED壽命-La vida del LED	>100,000 hours
Color Temperature and Color 色溫和顏色 Temperatura y color del color	2700K 3000K 4000K 5000K 6500K RGB RGBW
Color Rendering Index-顯色指數 Índice de reproducción cromática	>80 >90
MacAdam Ellipses Binning 麥克亞當橢圓分級 Mac Adam binning ellipse	Standard Deviation Colour Matching < 3 SDCM 標準偏差配色< 3 SDCM Coincidencia de color estándar Desviación < 3 SDCM
Beam Angle/光束角/ángulo de haz	10° 15° 18° 24° 34° 36° 60°
Luminaire Efficacy 燈具效率 La eficacia de la luminaria	70 Lm/w(2700K) 75 Lm/w(3000K) 80 Lm/w(4000K) 85 Lm/w(5000K) 85 Lm/w(6500K) 60 Lm/w (RGBW)
LED Source Luminous Efficacy LED光源光效 Fuente luminosa LED Eficacia	120 Lm/w(2700K) 130 Lm/w(3000K) 140 Lm/w(4000K) 150 Lm/w(5000K) 150 Lm/w(6500K) 100 Lm/w (RGBW)
Housing materials 外殼材料 Materiales de la carcasa	Die-Casted Aluminium and Aluminium Alloy and Tempered Glass 壓鑄鋁和鋁合金及鋼化玻璃 Aluminio fundido a presión y aleación de aluminio y vidrio templado de
Housing Color外殼顏色 color de la carcasa	Traffic Black RAL9017 / 黑 RAL9017 / Negro RAL9017 Signal white RAL9003 / 白 RAL9003 / Blanco RAL9003 Telegrey 2 RAL7046 / 灰 RAL7046 / Gris tele 2 RAL7046
Ingress Protection-防護等級 Protección de ingreso	IP66
Mech impact protection 機械衝擊保護 Protección contra impactos mecánicos	IK08
Operating Temperature Range / 工作溫度範圍 Rango de temperatura de funcionamiento	-20 °C / +50 °C
Storage Temperature 儲藏溫度 Temperatura de almacenamiento	-40 °C / +70 °C
Operating Humidity -工作濕度 Humedad de funcionamiento	0~90%, non-condensing-不結霜 sin condensación
Dimension尺寸Dimensión	Refer to Technical Drawing 請參閱技術圖紙Consulte el dibujo técnico
Certificate Standard Complied 符合安規標準 estándar certificado de cumplimiento	LED Luminaries: IEC 60598-1;IEC 60598-2-5;RoHS LED Driver: IEC/EN 61347-1; IEC/EN 61347-2-13; IEC/EN 62384; IEC/EN 61000-3-2; IEC/EN 61000-3-3;IEC/EN61574;EN 55015
Certification-認證-Certificación	   

Project	Fixture#	Date
		Firm

Ordering Information

Choose the option that suits your need and write its corresponding code on the appropriate line to form the product code.

Example product code: [F-SPAMY-16W](#)

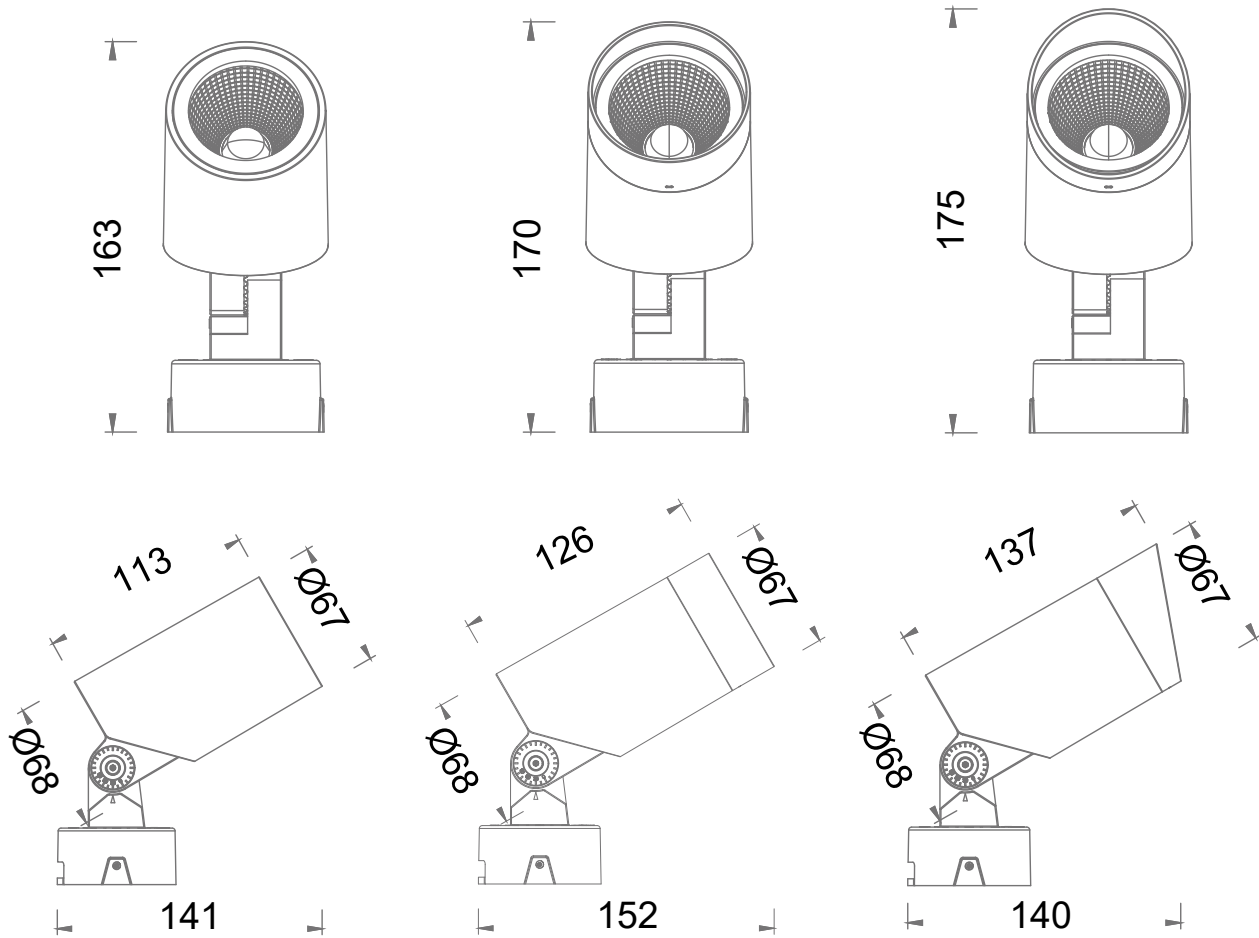
F-SPAMY-HQ - -

POWER
CONSUMPTION

POWER CONSUMPTION	
Code	Description
5W	5W
6W	6W
8W	8W
11W	11W
12W	12W
16W	16W
20W	20W
24W	24W
25W	25W
30W	30W
35W	35W
40W	40W
45W	45W

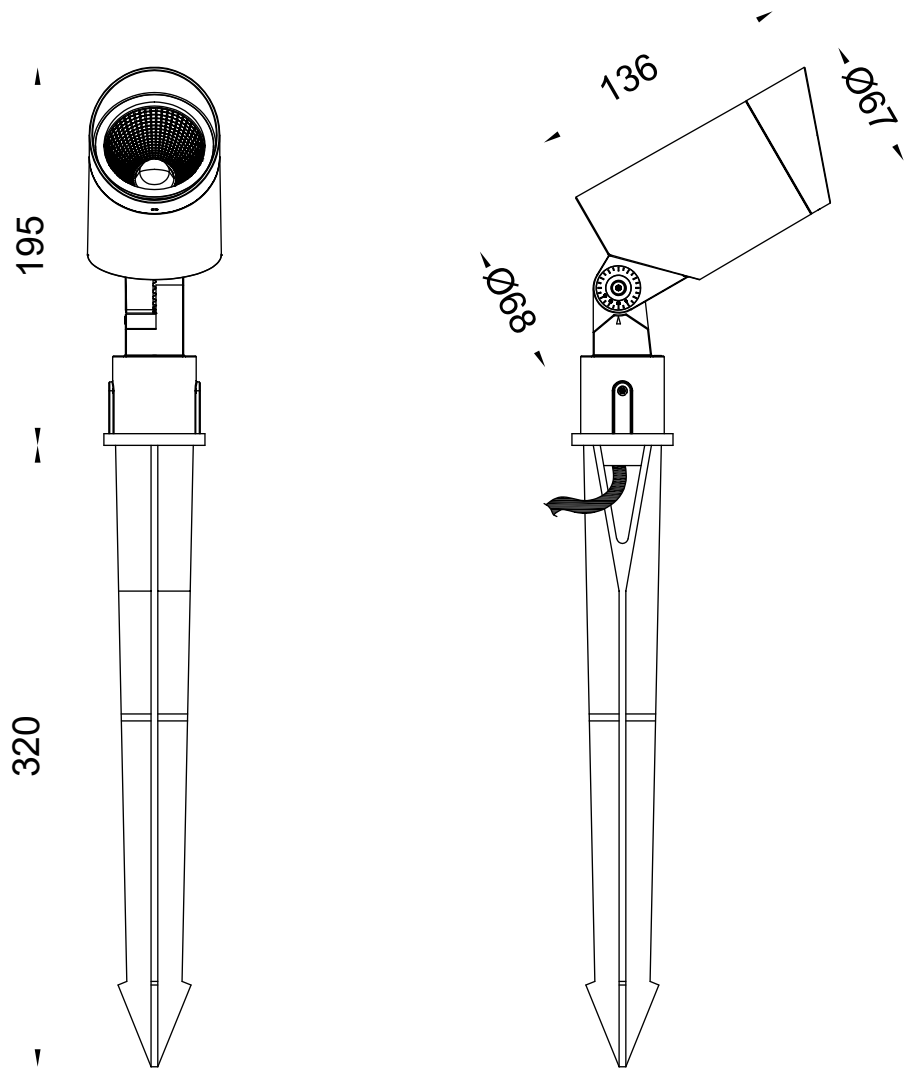


Technical Drawing



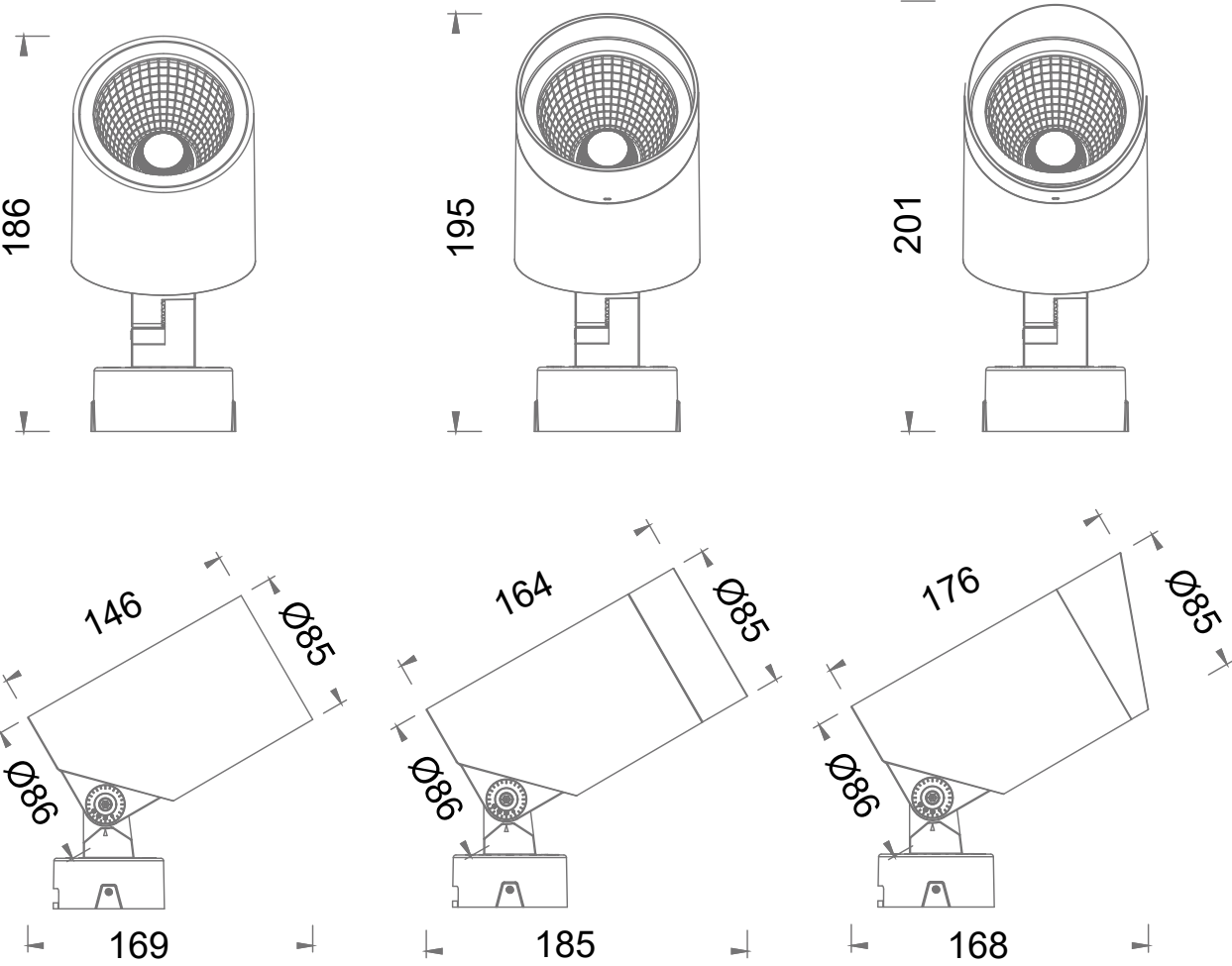
Unit: mm

Technical Drawing



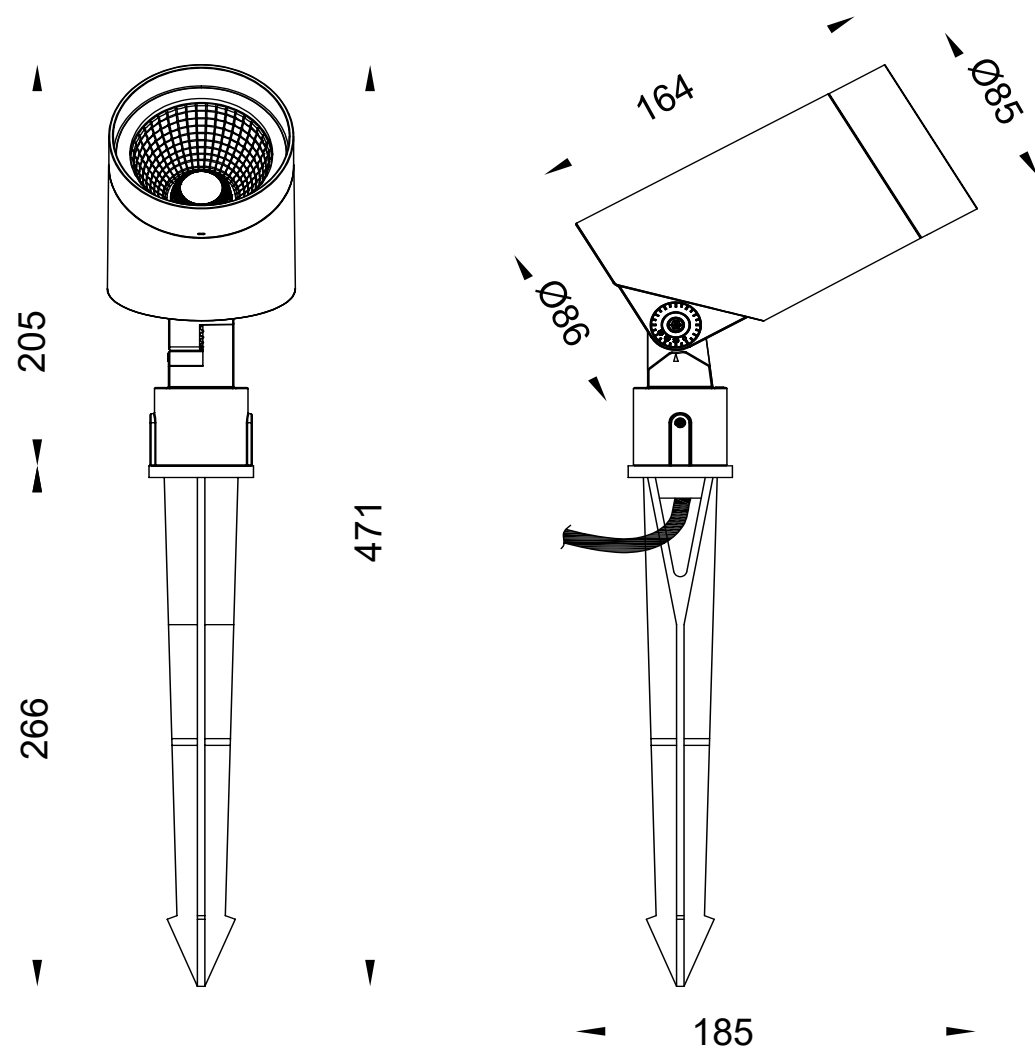
Unit: mm

Technical Drawing



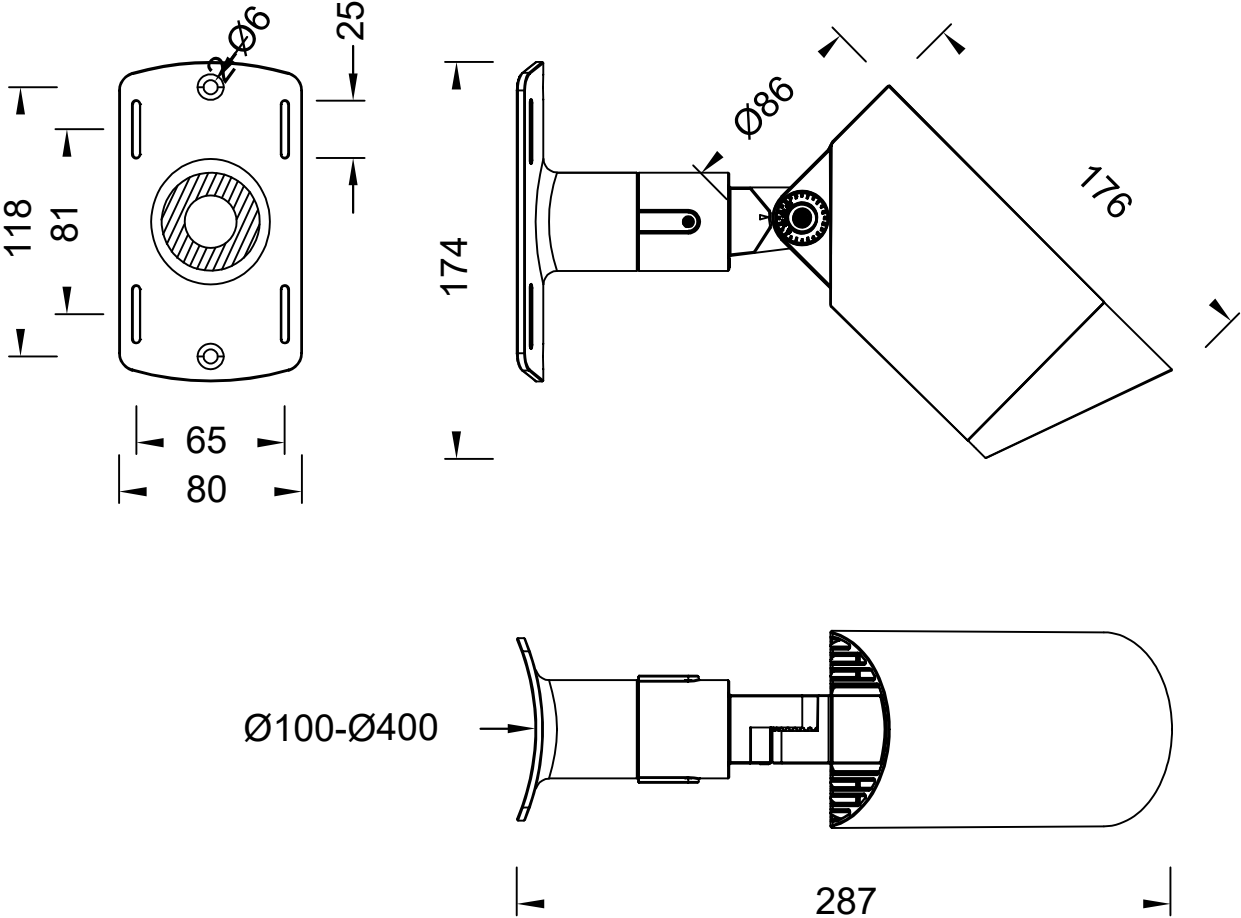
Unit: mm

Technical Drawing



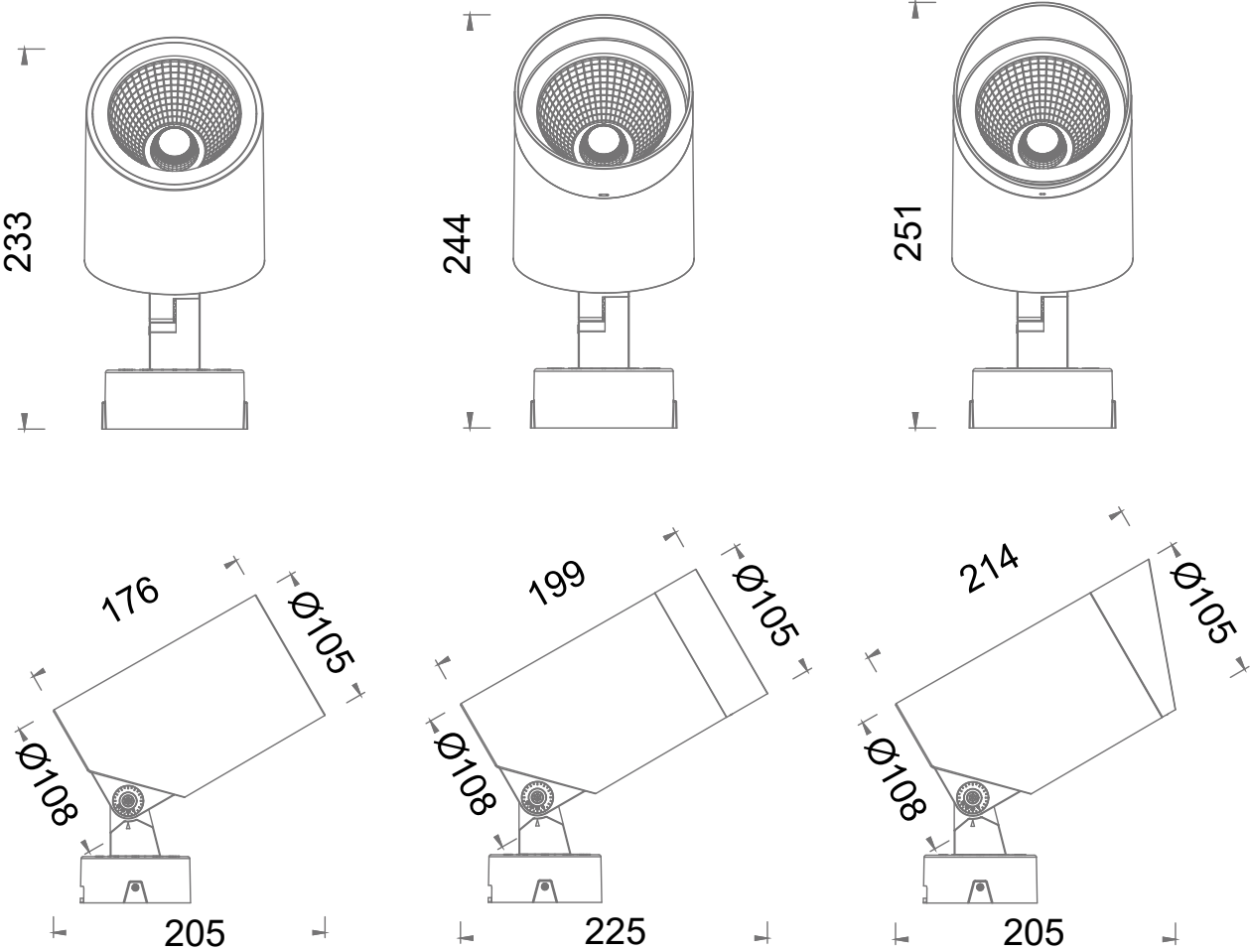
Unit: mm

Technical Drawing



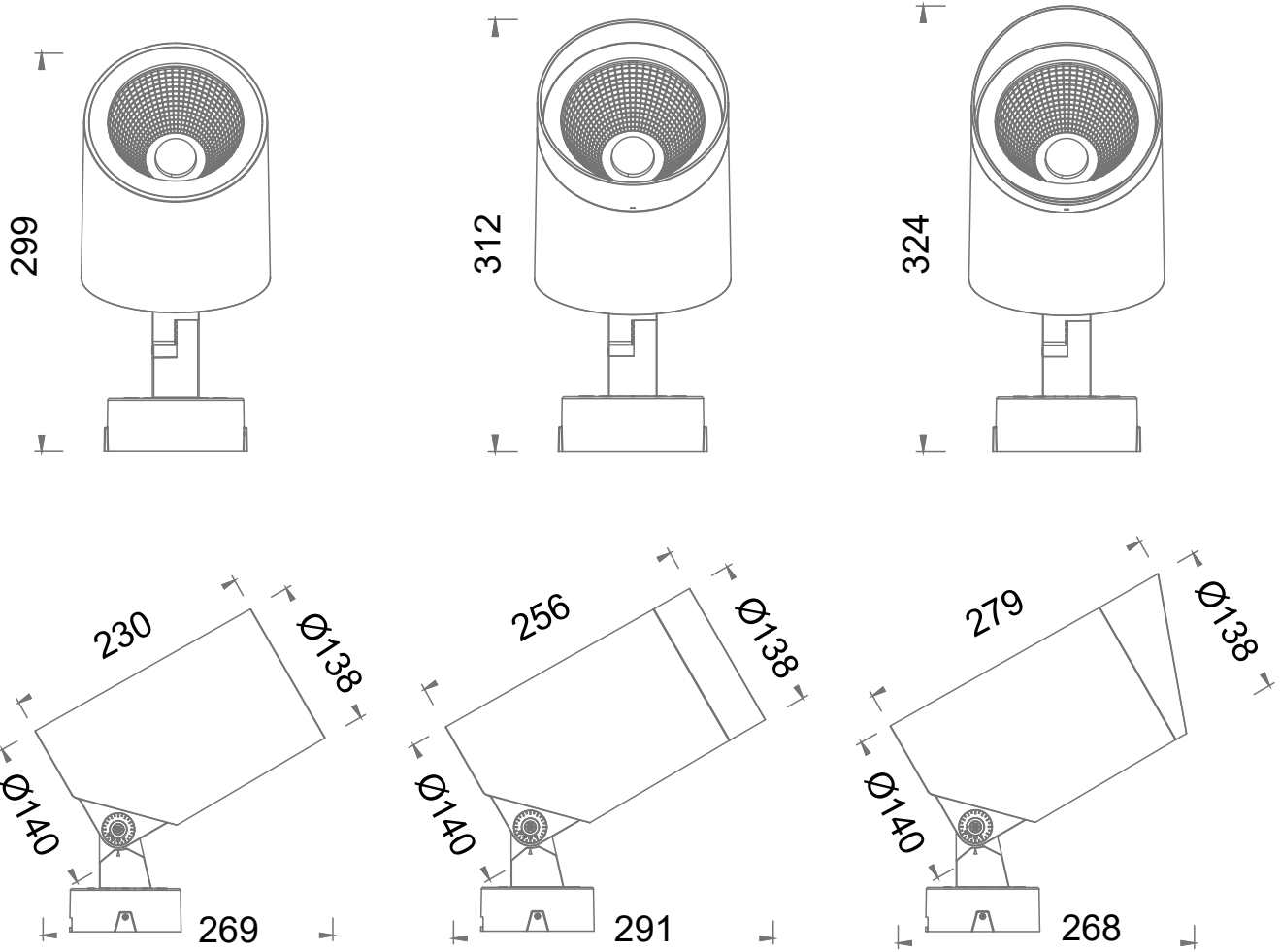
Unit: mm

Technical Drawing



Unit: mm

Technical Drawing



Unit: mm