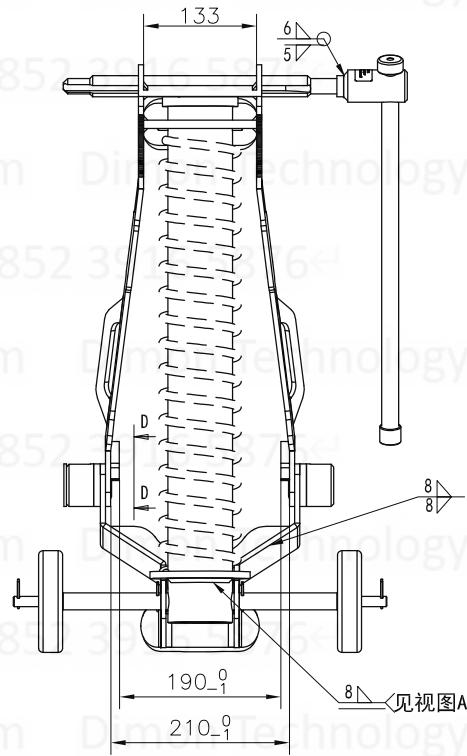
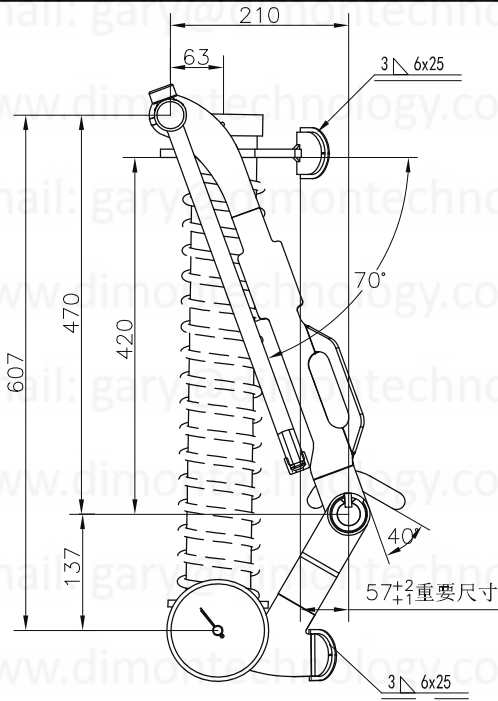
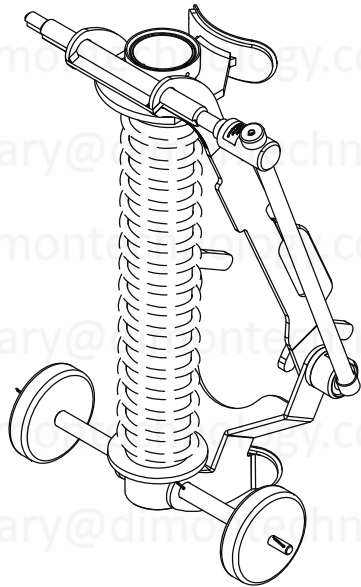
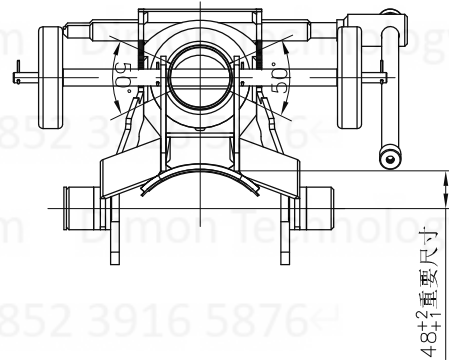


Hinged Tool Counterbalance Tooling-MS0001



↑ A
视图A



DIMON
Technology

DIMON Technology Ltd.
Tel: 00852-3916 5876
Fax: 00852-21203398
Http://www.dimontechnology.com
E-mail: gary@dimontechnology.com

CLIENT					
TITLE		弹簧小车车架			
DRAWN	SL	2017.7.24	MATERIAL		MANUFACTURING ORDER
ENGR	WZL	2017.7.24	THK(mm)		
CHECKED	LI	2017.7.24	WT(kg)		P/N: MS0001
SPECIFICATIONS			SCALE		

REV ID	DATE	REVISION DESCRIPTION
A		