




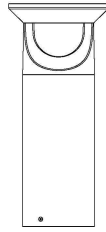


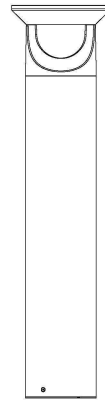
LED Solar Bollard Light

Instruction Manual

Packing List		
	Base plate templates	1PC
	Screw fixing plate	1PC
	Screw M5x16	5PCS
	Screw M8	3PCS
	Nut M8	3PCS



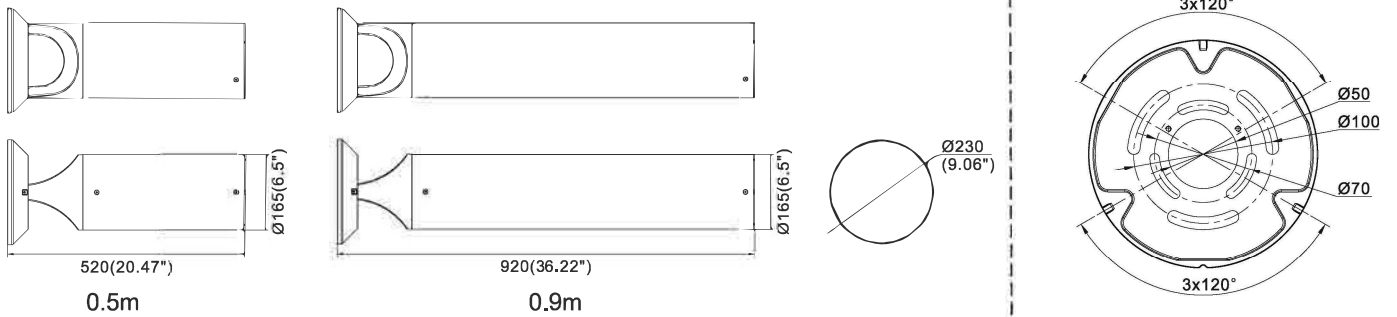
0.5m



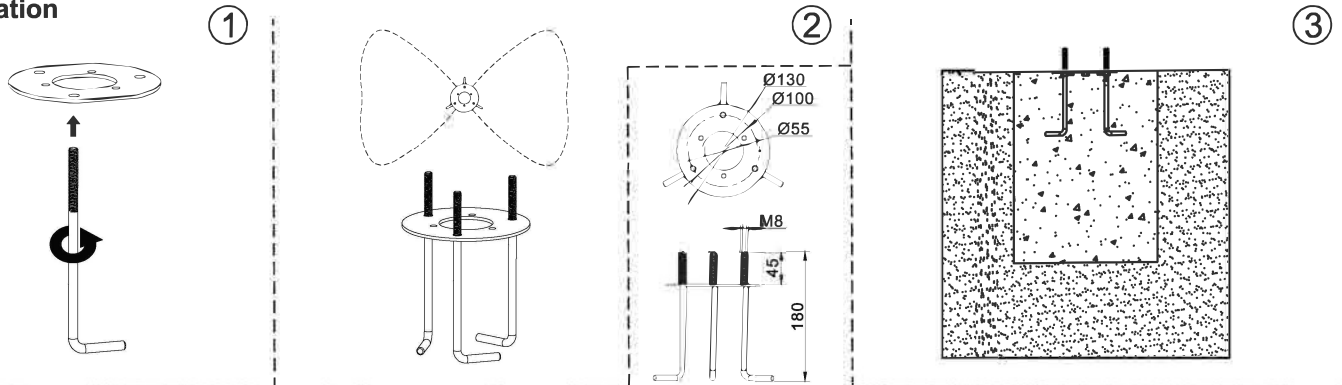
0.9m



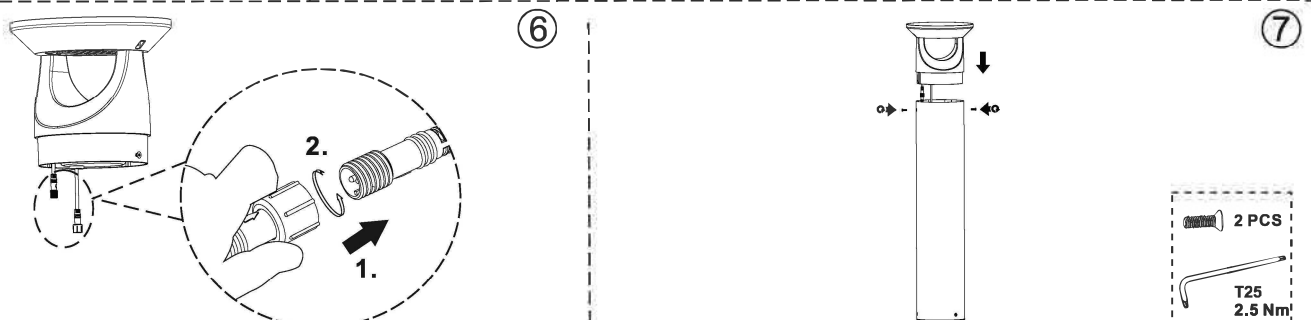
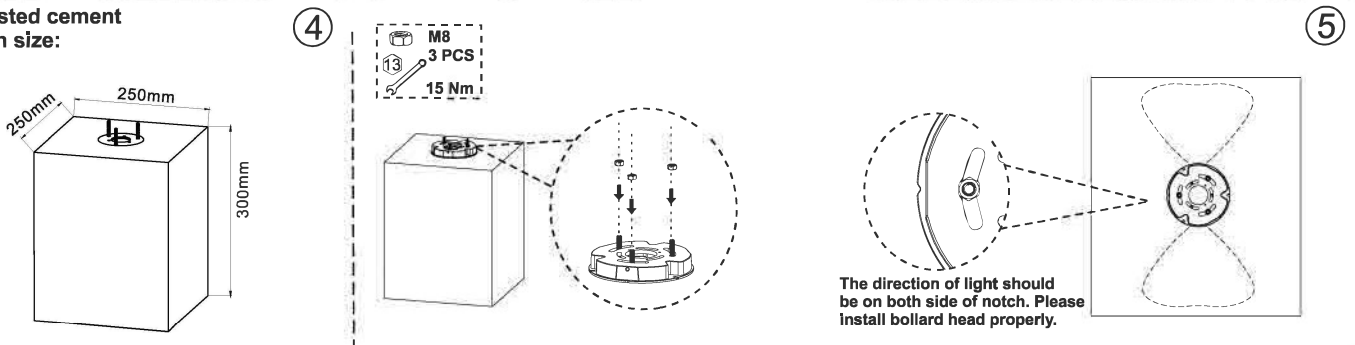
Physical Dimensions(mm/inch)



Installation

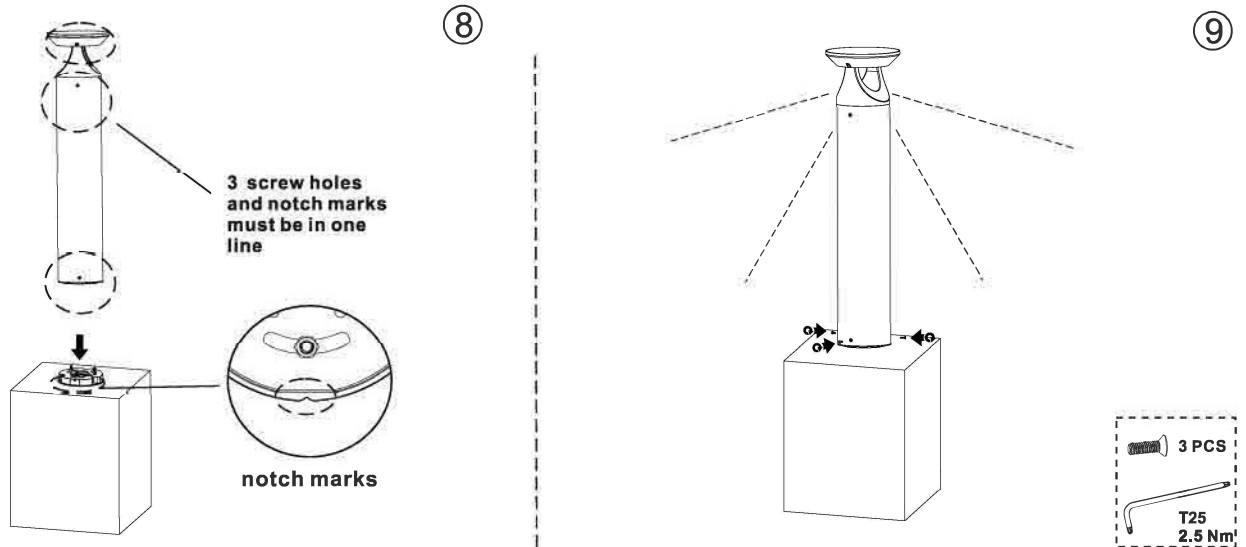


Suggested cement column size:

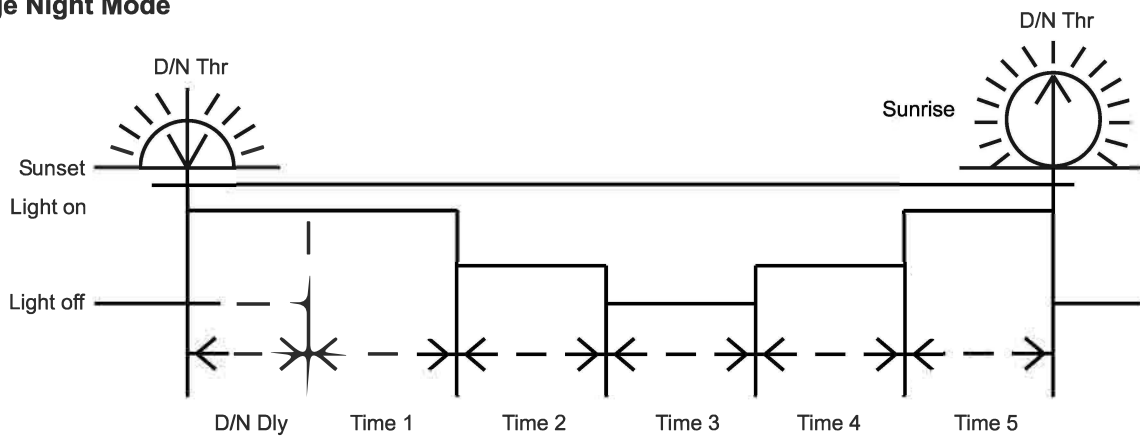


LED Solar Bollard Light

Instruction Manual



Five-stage Night Mode



- * Set the modes Time 1-5 and lighting levels by remote control.
- * Avoid being shaded by trees and buildings, or battery charging will be affected.

* Recommended lighting settings

Lighting scheme	Time 1	Time 2	Time 3	Time 4	Time 5	Energy consumption	Working hours in rainy days
1 (Factory default)	4Hx100%	0Hx100%	0Hx100%	0Hx0%	0Hx100%	14Wh	2.7Days
2	6Hx30%	6Hx30%	0Hx100%	0Hx0%	0Hx100%	12.6Wh	3 Days
3	6Hx50%	6Hx30%	0Hx100%	0Hx0%	0Hx100%	16.8Wh	2.3Days
4	4Hx70%	4Hx30%	4Hx30%	0Hx0%	0Hx100%	18.2Wh	2.1 Days
5	4Hx100%	2Hx50%	0Hx100%	0Hx0%	0Hx100%	17.5Wh	2.2Days
6	4Hx100%	2Hx30%	0Hx100%	TOTx0%	1Hx80%	18.9Wh	2 Days
7	4Hx80%	2Hx30%	0Hx100%	TOTx0%	1Hx80%	16.1Wh	2.4Days

Product Specifications	3W	
Outlook Dimensions	Ø230x520mm(Ø9.06"x20.47")	Ø230x920mm(Ø9.06"x36.22")
Net Weight	5.1±0.3kg(11.24±0.66Lbs)	6.6±0.3kg(14.55±0.66Lbs)
Working Temperature	0°C to + 50°C(32°F to +122°F)	
Storing Temperature	-10°C to + 50°C(14°F to +122°F)	

- For other than portable PV luminaire systems, the installation shall recommend that installation be performed by an appropriately qualified professional, and that the installation shall comply with any local rules and regulations
- The light source contained in this luminaire shall only be replaced by the manufacturer or his service agent or a similar qualified person.