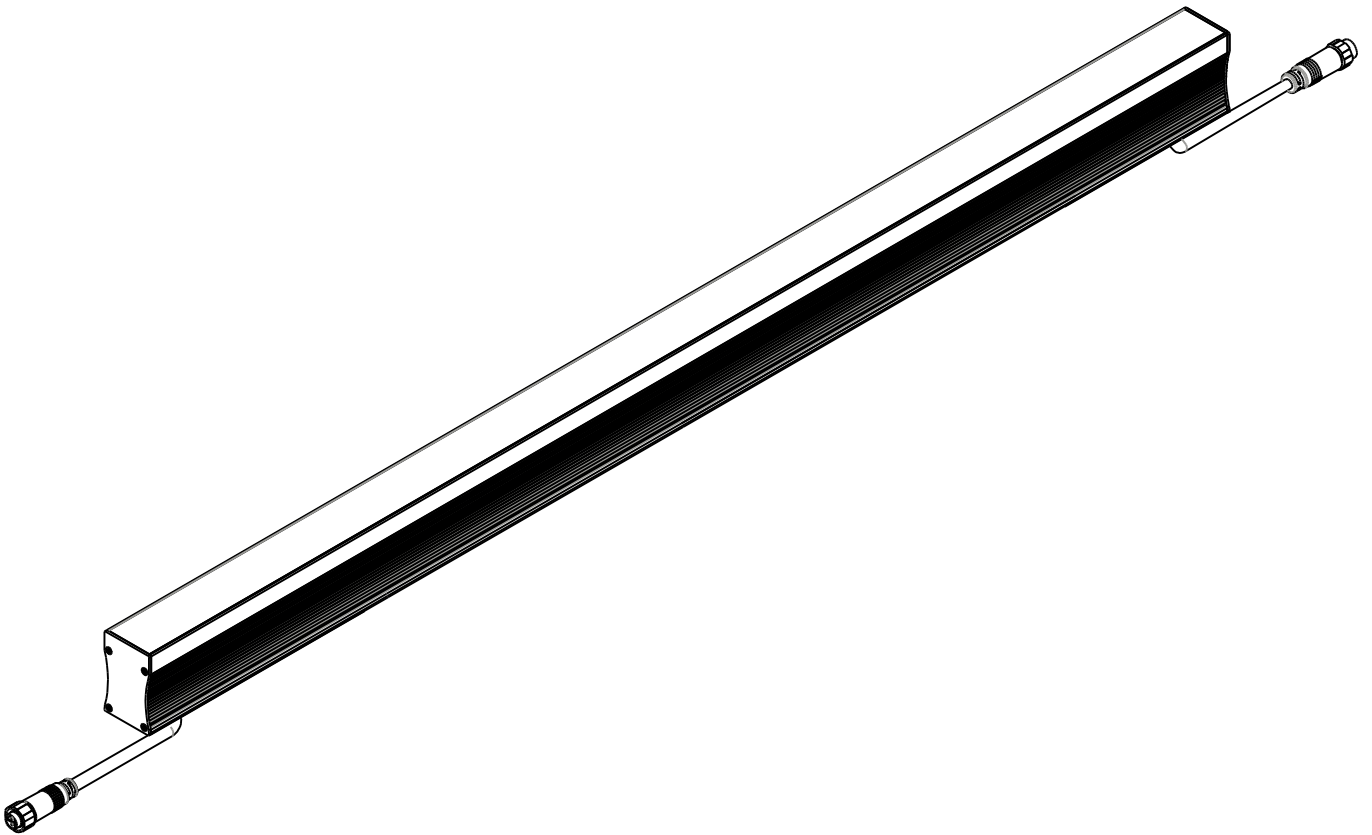
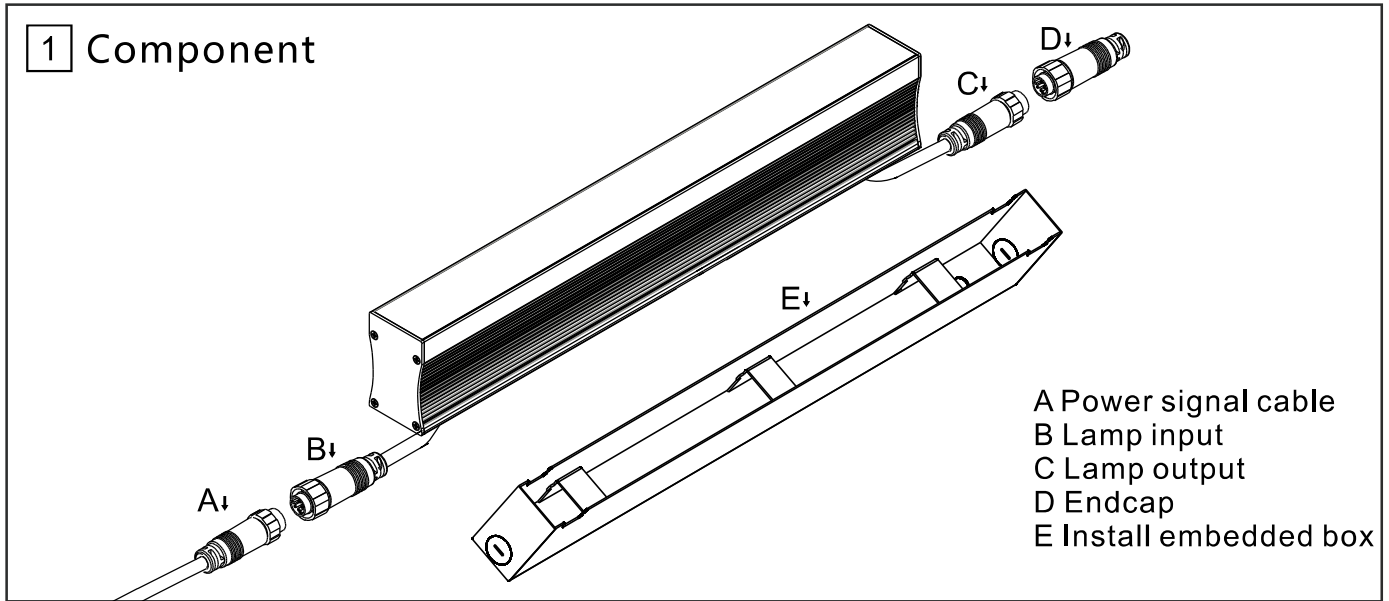


LED In-ground Linear Light-WAYAR-M



- Please read this instruction carefully before you assemble the product.
 - Please keep this instruction for reference.
-



2 Luminaire Dimensions

1000

500

300

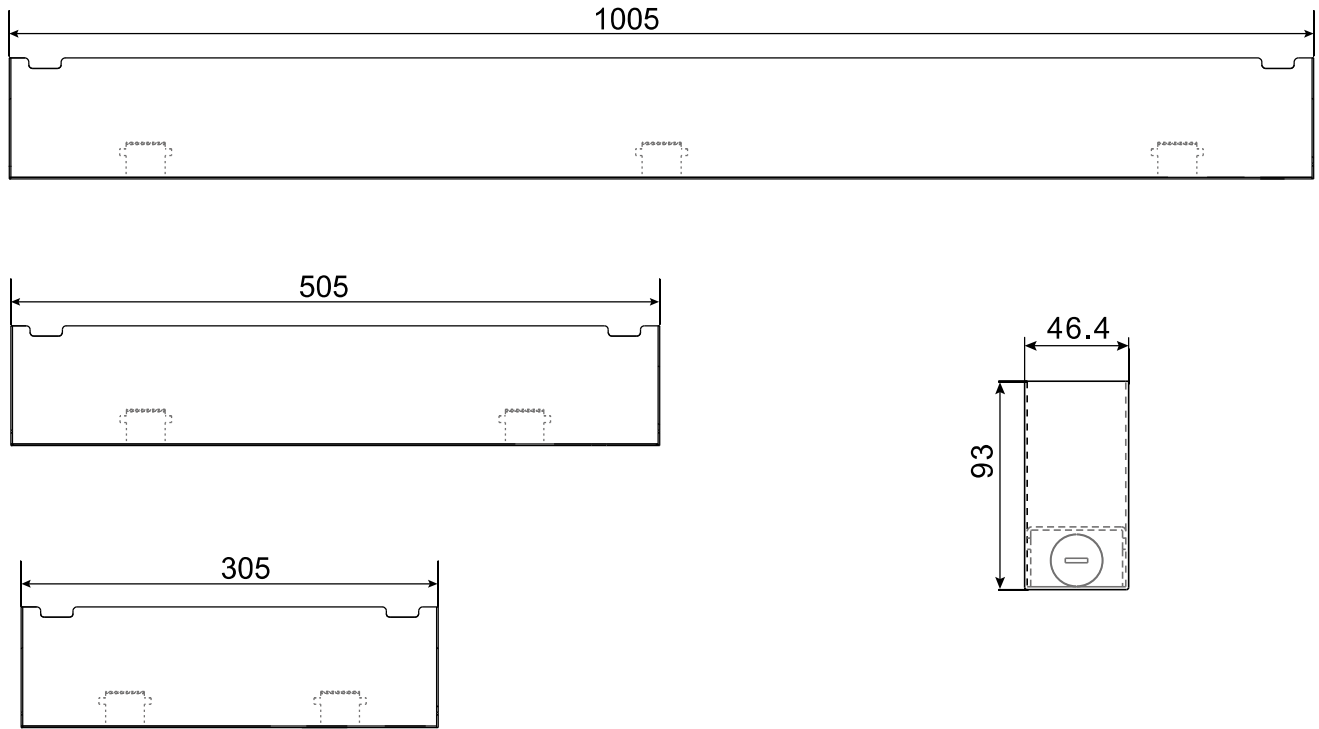
42

65

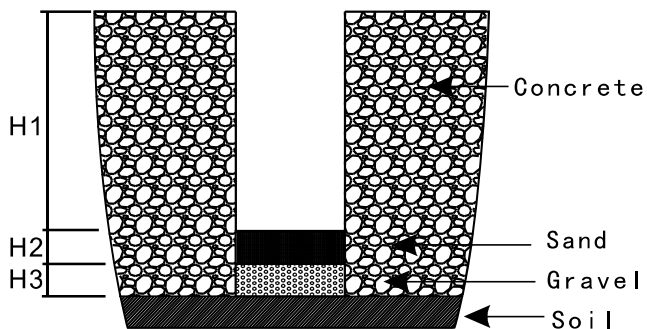
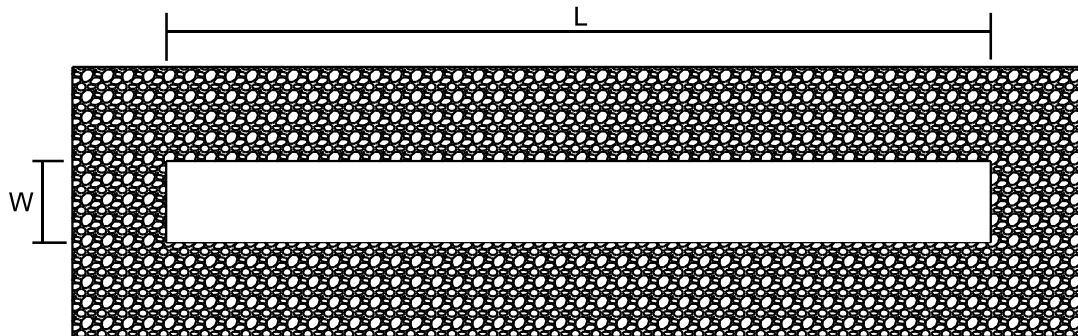
Specification

Dimension (mm)	Power (W)	Voltage (V)	Current (A)	IP	Maximum of power connections (pcs)
1000X42X65	24/36/48	DC24	1.5	67	4
500X42X65	12/18/24/25	DC24	0.75	67	6
300X42X65	8/12/13/18	DC24	0.375	67	12

3 Recessed Box Dimension



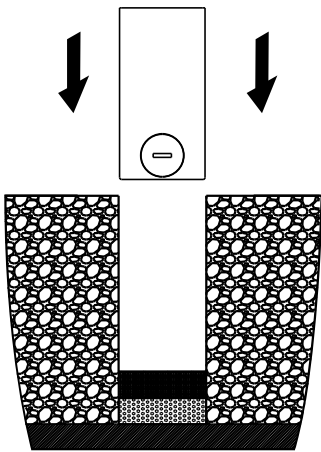
4 Installation Dimension



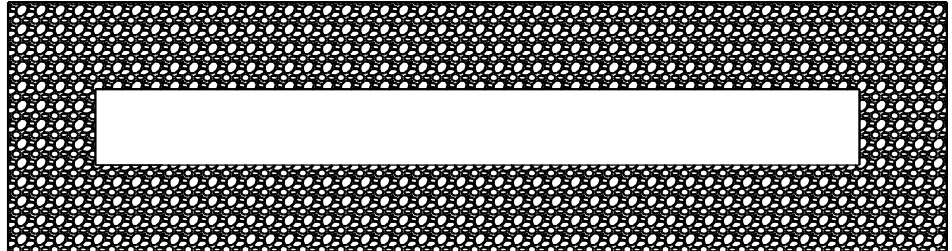
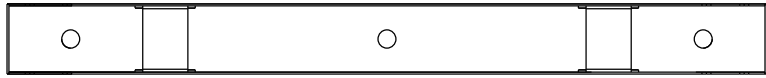
The dimension are for reference only

Embedded well size(mm)				
L	W	H1	H2	H3
1015	55	93	30	30
515	55	93	30	30
315	55	93	30	30

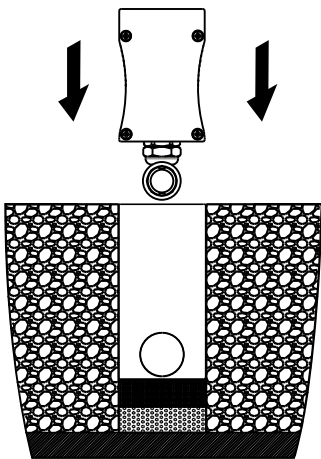
5 Install the recessed box



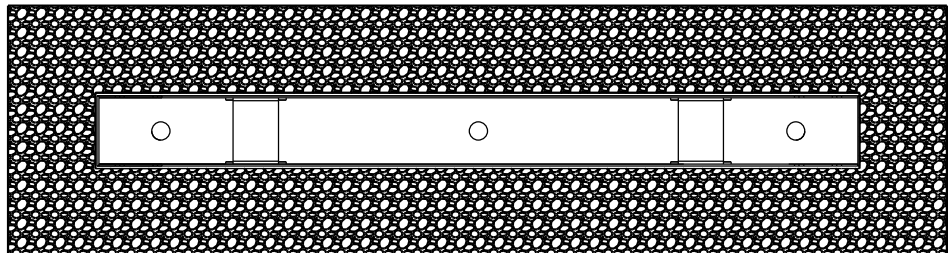
Place the recessed box into the installation well



6 Install the lamp

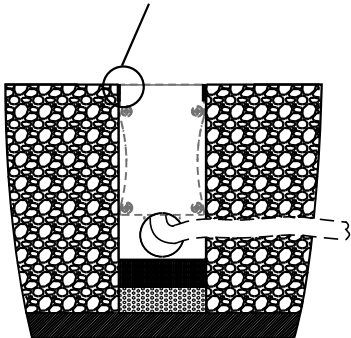


Place the lamp in the recessed box



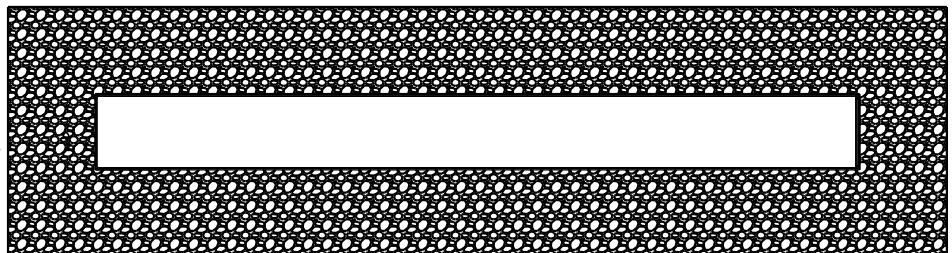
7 Installation effect diagram

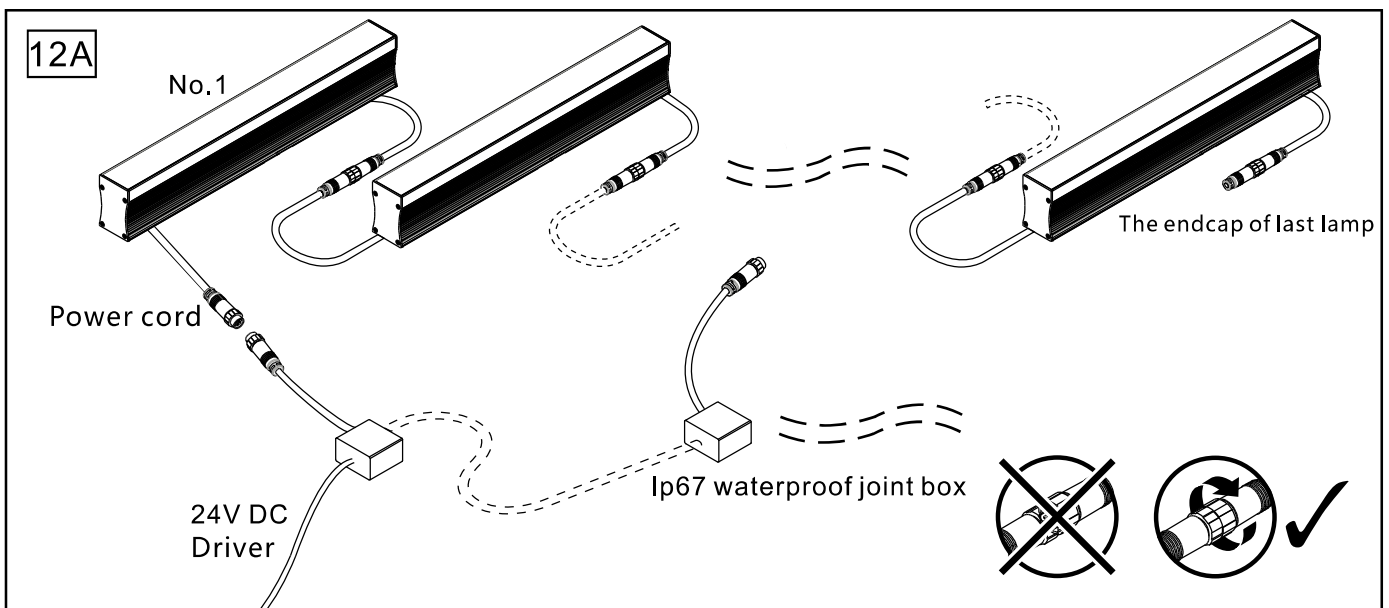
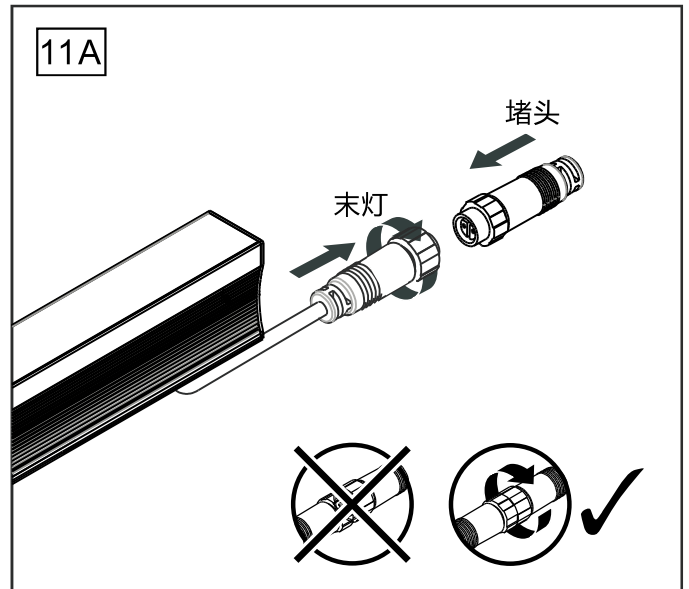
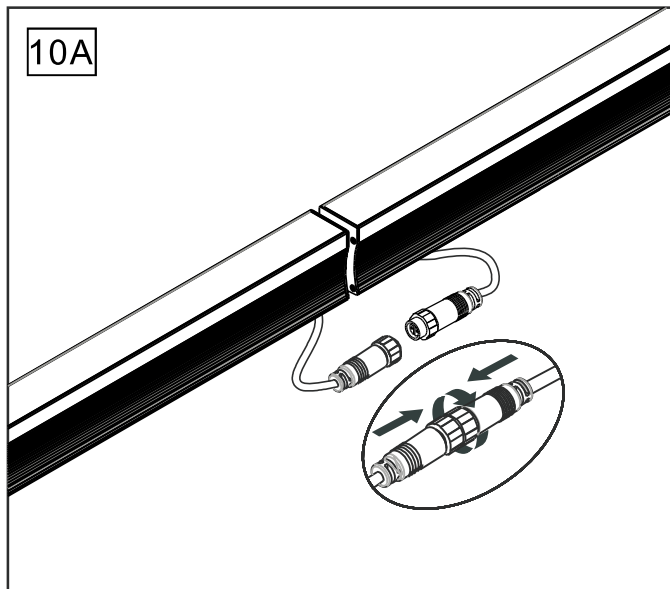
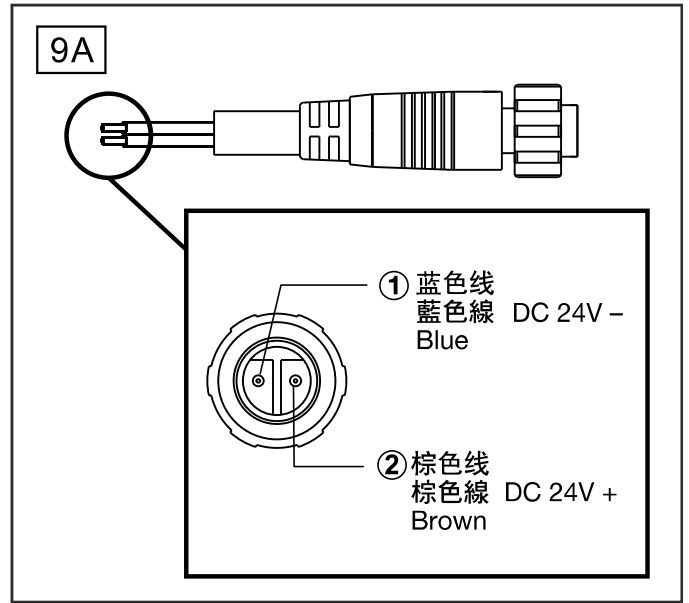
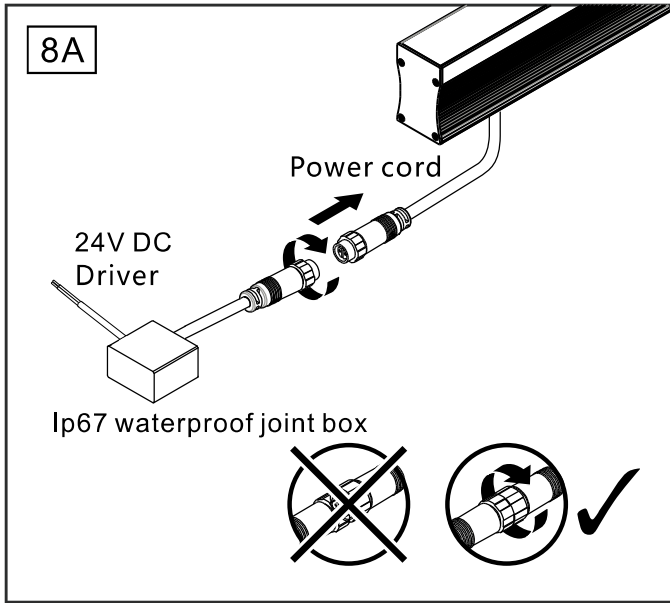
Neutral silicone sealant



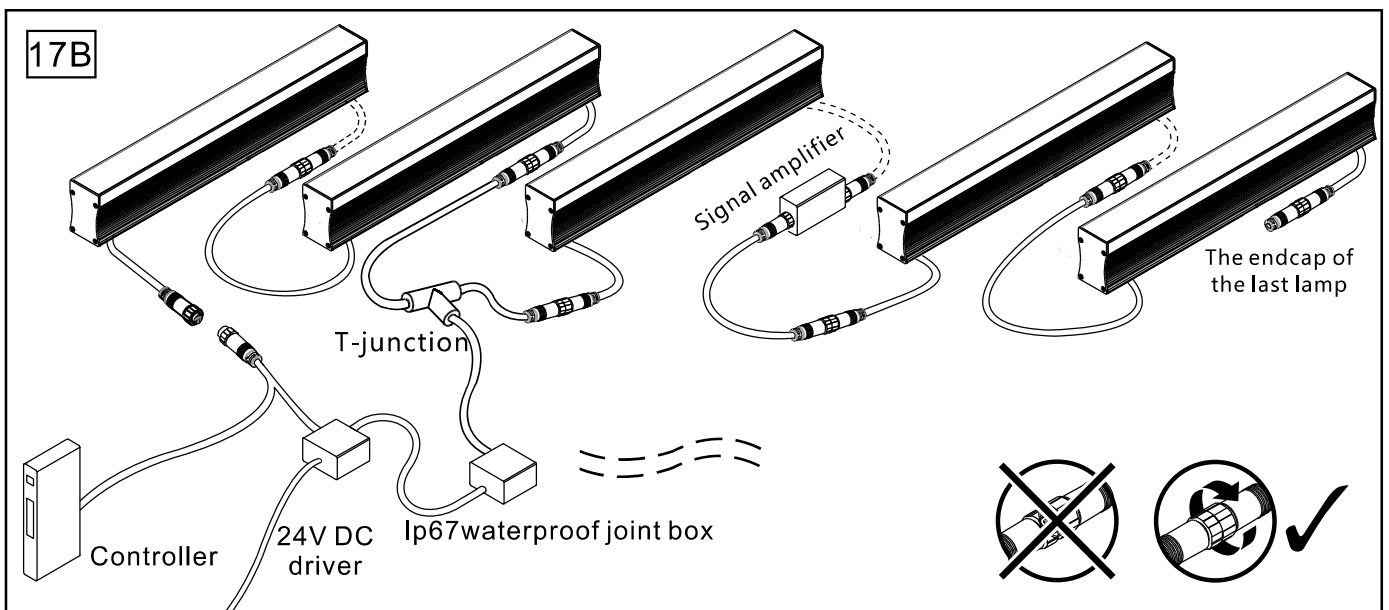
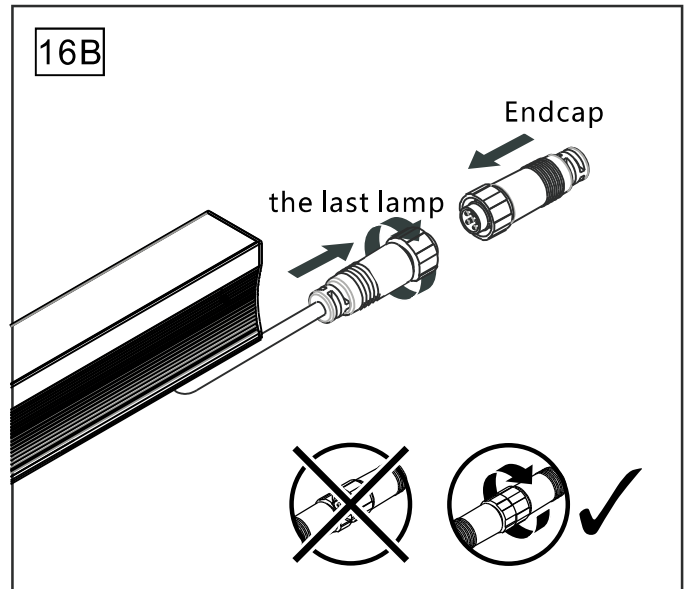
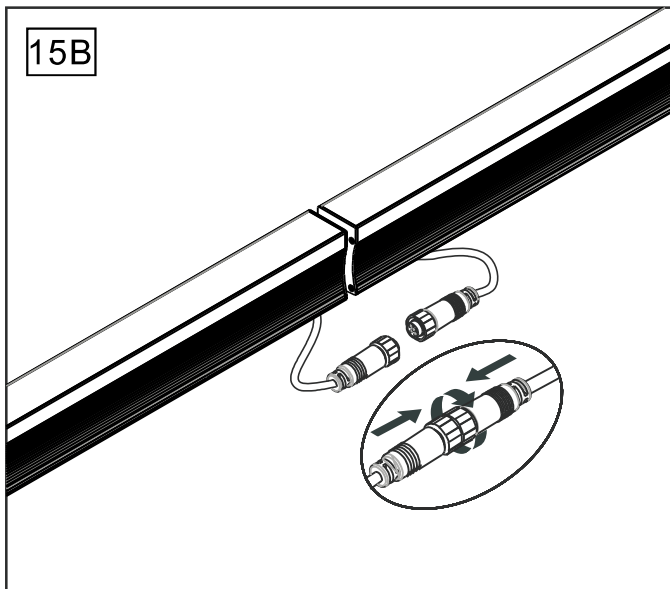
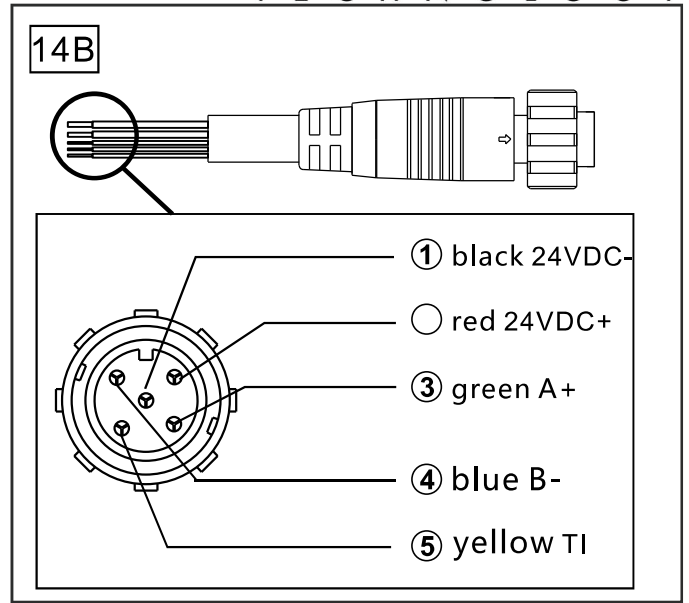
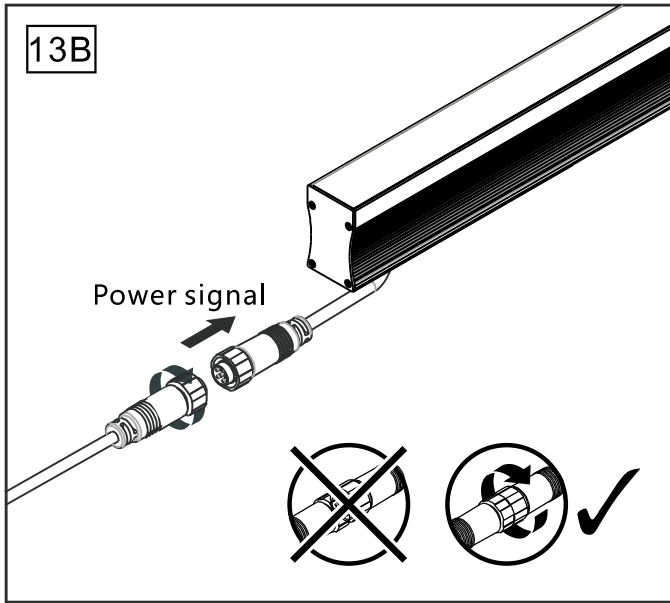
Glue around the lamp and tighten the lamp.

Note: Acid glass glue and deoxime silicone glue should not be used.





LED linear light



Installation instructions and maintenance

1. All power supplies, cables, connectors and IP67 waterproof junction boxes shall be separately ordered.
2. The lamp is powered by DC24V, and the male connect of the lamp is connected with the female connector of the previous lamp.
3. When the male and female connectors are connected, they should be locked tightly to ensure reliable connection and waterproof.
4. During the on-site installation, the connector is not allowed to conduct wire cutting operation, and the lamp cannot be guaranteed after wire cutting.
5. The power cord shall be connected effectively in the waterproof box.
6. Shielded twisted pair is recommended as the connection cable.
7. The head and tail pressure drop of the power supply circuit shall not exceed 3V.
The selection of cables and loss pressure drop of cables shall be calculated according to actual conditions.
The power supply to the end lamp does not exceed 30 meters.
8. The lamp power supply is connected to male connector input and female connector output.
9. The power supply waterproof connector of the last light fixture in the power loop shall be installed with a waterproof endcap.
10. Secondary protection is required for the butt joint of the joint: first, use waterproof adhesive tape for winding, and then use electrical adhesive tape for strengthening.
11. Check the fasteners of the lamp regularly.
12. Clean the lamp body regularly.



1. Lamps shall be installed and maintained by qualified professionals and wired in accordance with the latest IEE standards or national standards.

The lamp does not provide wiring terminal, installation need to consult professional.

2. Waterproof junction boxes are not provided and installation should be advised by qualified professionals.

3. The external flexible cord of the lamp cannot be replaced. If there is any damage, the lamp will be scrapped.

4. The light source of this luminaire is not replaceable; When the light source to the end of its life, should replace the entire luminaire.

5. Do not power on during wiring.



6. No power on during installation and maintenance.

7. Installation method: embed installation. Outdoor use.

8. The shell can reach a high temperature during or after use.

9. The light source in this luminaires shall be replaced by the manufacturer or its service agent or a qualified professional.

10. Make sure the product is fixed reliably.

11. Do not look directly at the light source during the use of lamps. The lamp should be installed in a position where the human eye will not keep looking directly at it within a distance of 0.73 m.



IP67

