

LED SPOT LIGHT INSTRUCTION SHEET

IMPORTANT: Please read all instructions before installing fixture.
Retain for future reference.

CAUTION: This fixture is for New Construction and Remodel applications.
For your safety, this fixture must be wired in accordance with local electrical
codes and ordinances. All work must be done by a certified electrician.

WARNING: Risk of electric shock, do not use where directly exposed to water
and make sure power is OFF from electrical panel before starting installation
or attempting any maintenance.

TOOL REQUIRED: Screw driver, insulated pliers, hole saw, ladder, pencil,
wire stripper and tape measure.

PRE-INSTALLATION:

1: TURN Power OFF from the electric panel before start wiring.

2: New construction applications: Install the suitable mounting plate
accordance with the fixture cutout size. Mounting plate sold separately.

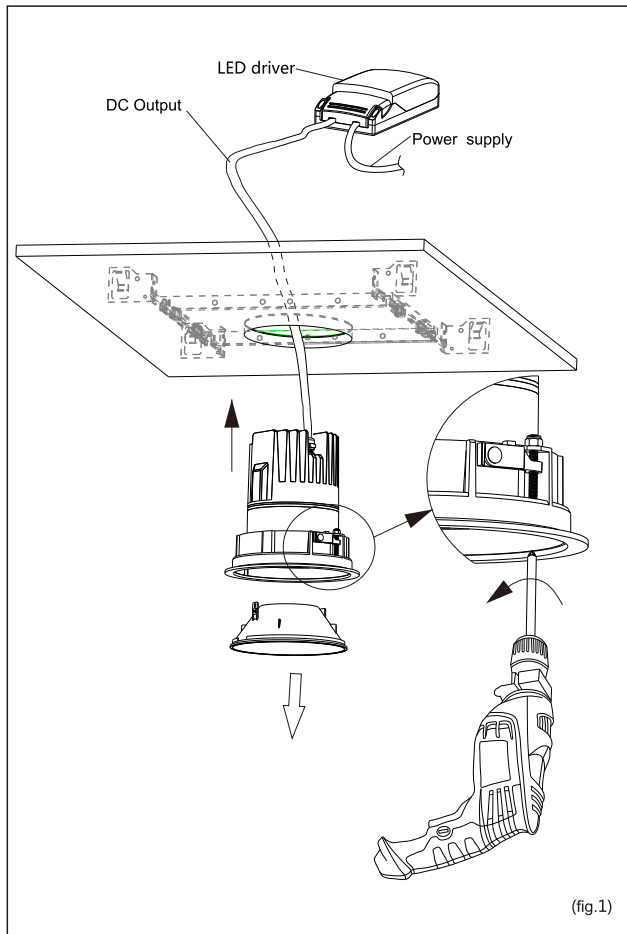
Remodel applications: Locate a suitable position to plate the fixture,
Measure distance from the wall and mark it on the paper, make sure marked
point is between joists.

3: Run electrical cable through in the ceiling space from the switch
(power supply). Make sure supply wire insulation must be rated for at least
90°C (NMD90 Romex or AC90 BX cable).

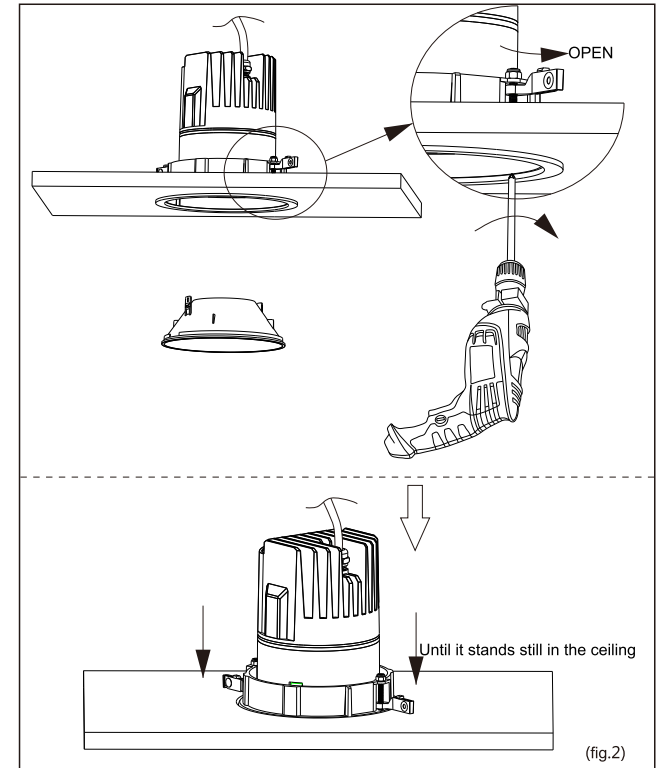
CUTOUT TABLE:

Model	Product Code	Cutout(TOL)	Ceiling Cover Thickness
1	Cutout105-Round/Trim	φ105mm(4"-1/4")	5~25mm (7/16"-1")
2	Cutout150-Round/Trim	φ150mm(6")	

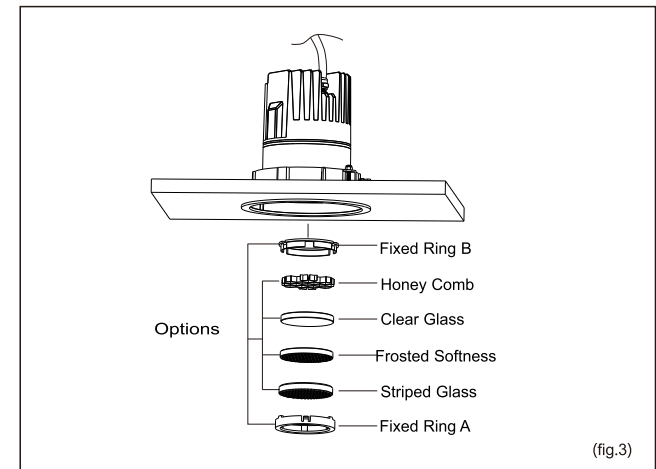
**FIXTURE INSTALLATION
(TRIM FOR DRYWALL OR T-BAR CEILING)**



1.FIXTURE INSTALLATION



2.Accessories Installation



3.Installation for Secondary Reflector

