

Fixture Type: LED INDOOR RECESSED WALL LIGHT WADY Series

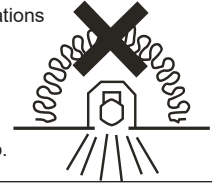
Respected user: Thanks for buying our lighting products, please read the instruction carefully before installation or using

I . Application:

Mall, Hotel, Office, Museum, Meeting Room, Home, etc.

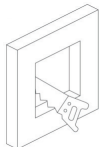
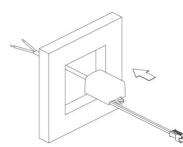
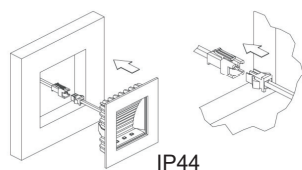
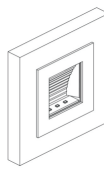
II . Announcements

- 1、 Please strictly according to instruction when installation, improper installation might cause electric shock accident
- 2、 In order to ensure the safety, installation, repair, maintenance of the lamp, please authorize electrical professional to do it, non-professionals is dangerous to operate.
- 3、 Lamp need to connect the external constant-current first before connect to the high-voltage Alternating Current for lighting.
- 4、 Just release the lamp after installing steady(make sure won't fall down) in case it drop out cause danger.
- 5、 Lamp cut out hole should be suitable in case it is too big or too small that lead to drop out or can't fit.
- 6、 Please don't reform the structure of the lamp, replace the spare parts randomly to prevent accident.
- 7、 Don't install the lamp in the open air, tilt place or not solid and reliable objects, it is installed on the ceiling, which should be firm enough to bear the weight of more than five times of the lamp itself.
- 8、 Do not install the lamp on the top of hot objects as stove, gas, and exhaust funnel to avoid damage of the lamp.
- 9、 Don't parallel the dimmer, dimmer controls, sensors to avoid electrical fault.
- 10、 Ensure the lamp have 75MM vents around at least, The space height between ceiling and the roof must be higher than 20mm above the lamp height, and make sure the use of the lamp won't violate any fire regulations.
- 11、 Please do not face the lamp for a long time when lighting to protect eyes.
- 12、 If the lamp doesn't work, check whether the line is connected, whether the power is turned on, otherwise, need maintenance.
- 13、 Cut off the power and contact the retailer for maintenance when lamp can't work properly.
- 14、 If the external flexible cable or cord of this luminaire is damaged, the cord must be replaced by the manufacturer or its service agent or a similarly qualified person to avoid danger.
- 15、 The light source in this lamp should be replaced by the manufacturer or its service agent or a person with similar qualifications
- 16、 The lamp is not suitable to be covered by thermal insulation material



III. Cleaning and Maintenance

1. For safely and efficient use of this product, please clean and inspect it regularly(6 monthly)
2. Clean the lamp with a soft cloth dipped in detergent water, then wipe with a dry cloth.
3. Do not use thinner, gasoline or any other volatile matter to wipe the lamp, in order to avoid discoloring or damage the lamp.

<p>①</p>  <p>Hole: W: 62 x L: 62 mm @ W: 70 x L: 70mm Hole: W: 100 x L: 62 mm @ W: 110 x L: 70mm Hole: W: 187 x L: 60 mm @ W: 200 x L: 70mm Hole: W: 187 x L: 125 mm @ W: 200 x L: 135 mm</p> <p>1. Cut off hole in the wall and install embedded parts.</p>	<p>②</p>  <p>2. Connect AC220V cable to the driver according to label.</p>
<p>③</p>  <p>IP44</p> <p>3. Connect lighting to the driver and install the lighting to embedded parts.</p>	<p>④</p>  <p>4. Turn on and test the lighting.</p>

*For more details, refer to the WADY data sheet.