

MOONS'	RELEASE DEPARTMENT: R&D	PAGE: 1 of 5
	TITLE: <div style="text-align: center;">MU096I024AP_DALI SPECIFICATIONS</div>	
		REVISION: A0

Technical Document Number: MSSD-4738A0

MU096I024AP_DALI LED DRIVER SPECIFICATIONS

Part Description: Input: 90Vac~305Vac

Customer's Part Number:

MOONS' Part Number: MU096I024AP_DALI

Customer:

<p>Company:</p> <p>Department:</p> <p>Approved by:</p> <p>Date:</p>
--

EDITED:

DATE:

CHECKED:

DATE:

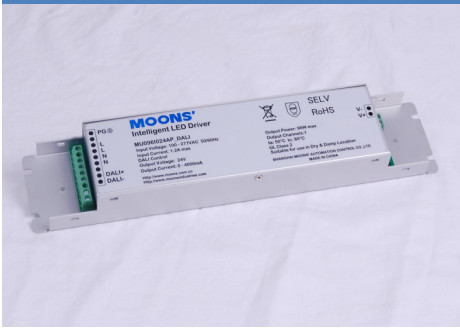
STANDARD:

DATE:

APPROVED:

DATE:

SHANGHAI MOONS' AUTOMATION CONTROL Co., LTD.



■ **Features**

- Input voltage: 90~305Vac
- Built-in active PFC function: 0.99 Typ.
- High efficiency: 88% Typ.
- IP20 design for indoor installations
- Surge protection: Level 4
- Support DALI dimming function
- Compliance to worldwide safety regulations for lighting
- Suitable for dry/damp locations
- 5 Years Warranty

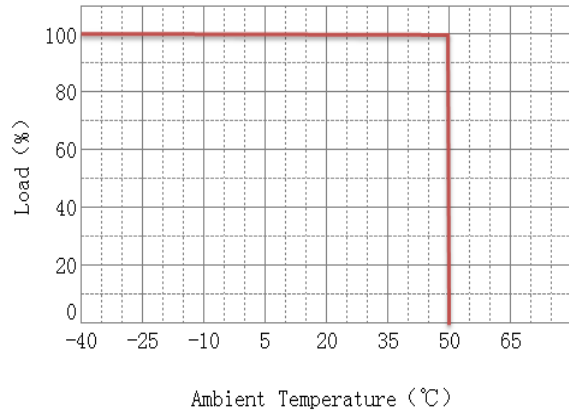
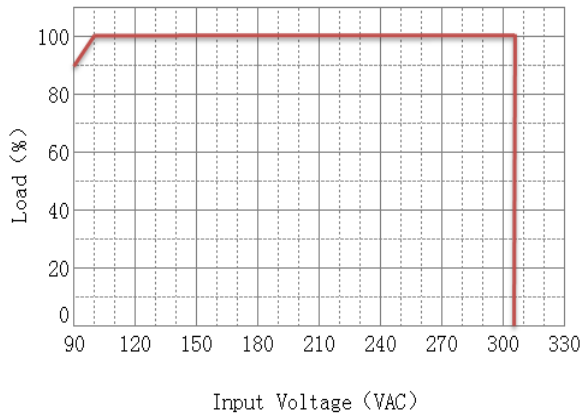
■ **Specification**

Model		MU096I024AP_DALI
Input	Efficiency(220Vac)	88%
	Voltage Range (Vac)	90~305
	Frequency Range (Hz)	47~63
	Power Factor	0.99 Typical (>0.90, at 100~277Vac input, with 60%~100% load conditions)
	THD	< 20%, at 100~277Vac input, with 60%~100% load conditions
	AC Current(Typ.)	1.2A at 110Vac input; 0.6A at 220Vac input
	Inrush Current(Typ.)	65A at 230Vac input 25°C cold start
	Leakage Current(Typ.)	0.75mA(MAX) at 277Vac 60Hz input
Output	DC Voltage (V)	24
	Rated Current(mA)	4000
	Rated Power (W)	96
	Ripple&Noise (Vp-p)	0.72
	Current ADJ. Range(mA)	0~4000
	Voltage Tolerance _{Note.1}	5%
	Line Regulation	1%
	Load Regulation	3%
	Dimming ADJ. Range	5% to 100%, continuously adjustable
	Setup, Rise Time	1.0s, measured at 110Vac input; 0.5s, measured at 220Vac input
	Hold Up Time	10ms at 220Vac 100% load
Protection	Over Voltage(V)	24.5~27.5 Protection type : Limit the output voltage , recovers automatically after fault condition is removed
	Over Current	Protection type : constant current limiting, recovers automatically after fault condition is removed
	Short Circuit	Hiccup mode, recovers automatically after fault condition is removed.
	Over Temperature	When the Tc of PSU rise to 110°C(Typ.), the PSU will shutdown The power supply should resume its normal operation when the inside temperature of PSU drop to normal temperature
Environment	Working Temp.	-40~+50°C
	Working Humidity	20~95%RH, non-condensing
	Storage Temp., Humidity	-40~+80°C, 10-95%RH
	Temp. Coefficient	0.03%/°C (0~50°C)
Safety & EMC	Vibration	10~55Hz, 2G 12min/cycle, period for 72min each along X、 Y、 Z axes
	Safety Standard	UL8750, UL1012, CSA-C22.2 No. 107.1, EN61347-1, EN61347-2-13
	Withstand Voltage	I/P-O/P:3.75KVac,I/P-DALI:3.75KVac,O/P-DALI:3.75KVac, I/P-FG:1.875KV, O/P-FG:500V
	Isolation Resistance	I/P-O/P, I/P-FG, O/P-FG:100M Ohms/500Vdc/25°C/70%RH
	EMC Emission	EN55015/FCC Part 15 Class B, EN61000-3-2 Class C, EN61000-3-3
Others	EMC Immunity	EN61000-4-2,3,4,5,6,8,11, EN61547 (Surge: L-N 2KV, L/N-Earth 4KV)
	MTBF	300,000 hours, measured at full load, 25°C ambient temperature MIL-HDBK-217F(25°C)
	Dimension	300X61.8X30.5mm (LxWxH)
	Packing	0.45kg

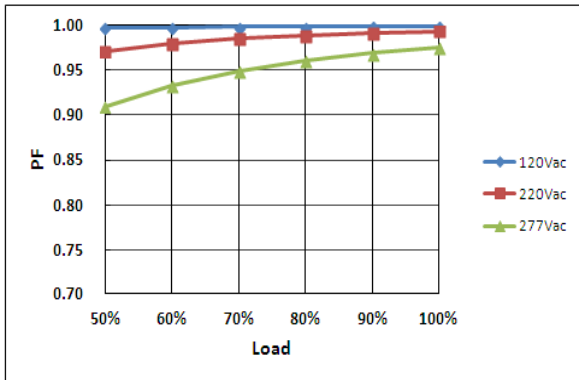
Note.1: Includes set up tolerance, line regulation and load regulation.

■ Test Curve

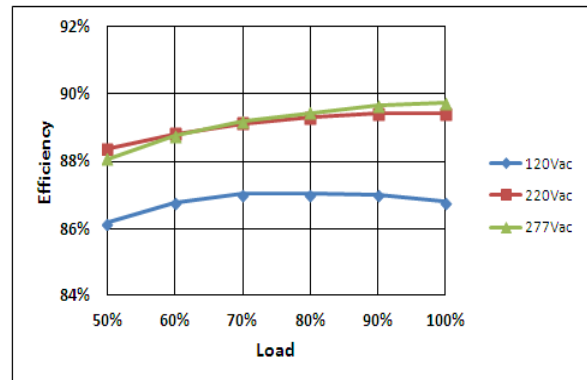
Derating Curve



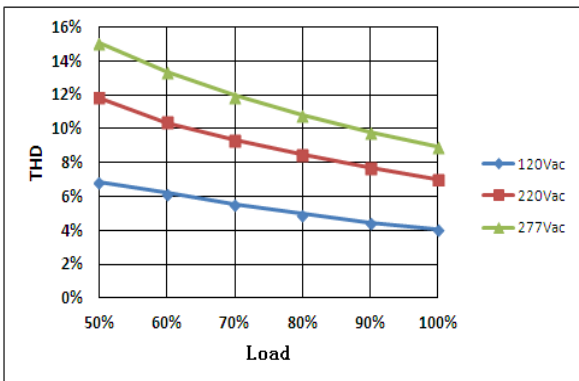
Power Factor Curve



Efficiency VS. Load Curve

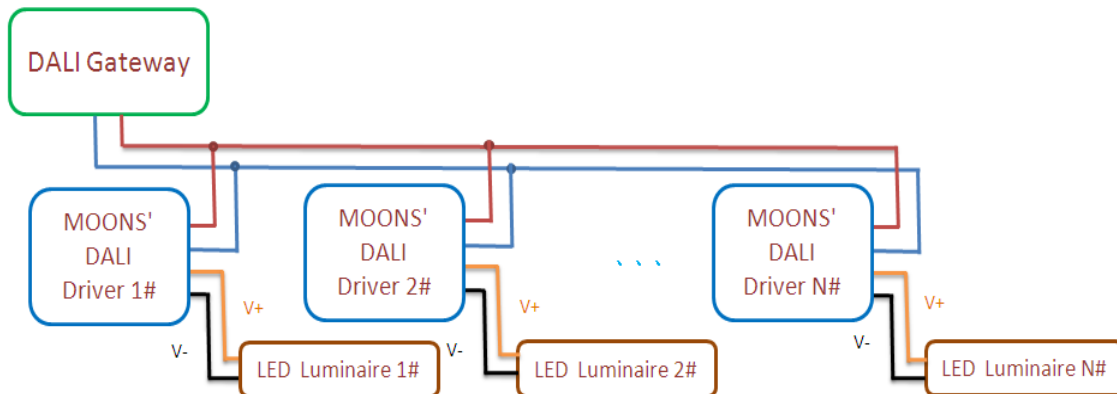


THD Curve



Dimming Features

DALI dimming connection diagram

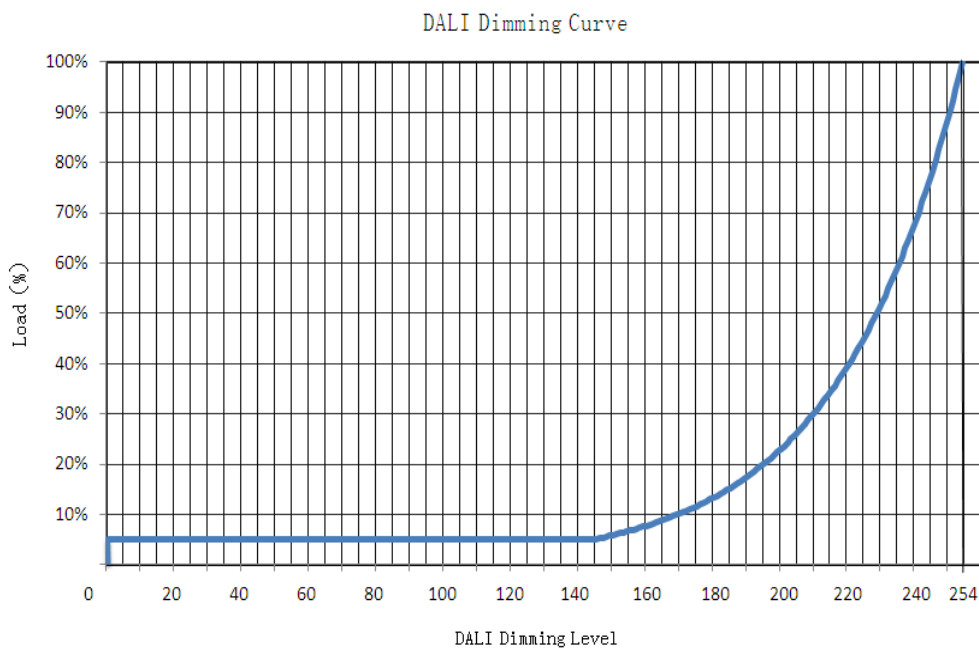


Notes:

MOONS' Intelligent driver Support DALI dimming protocols, follow DALI IEC 60929 standard, can achieve the following functions:

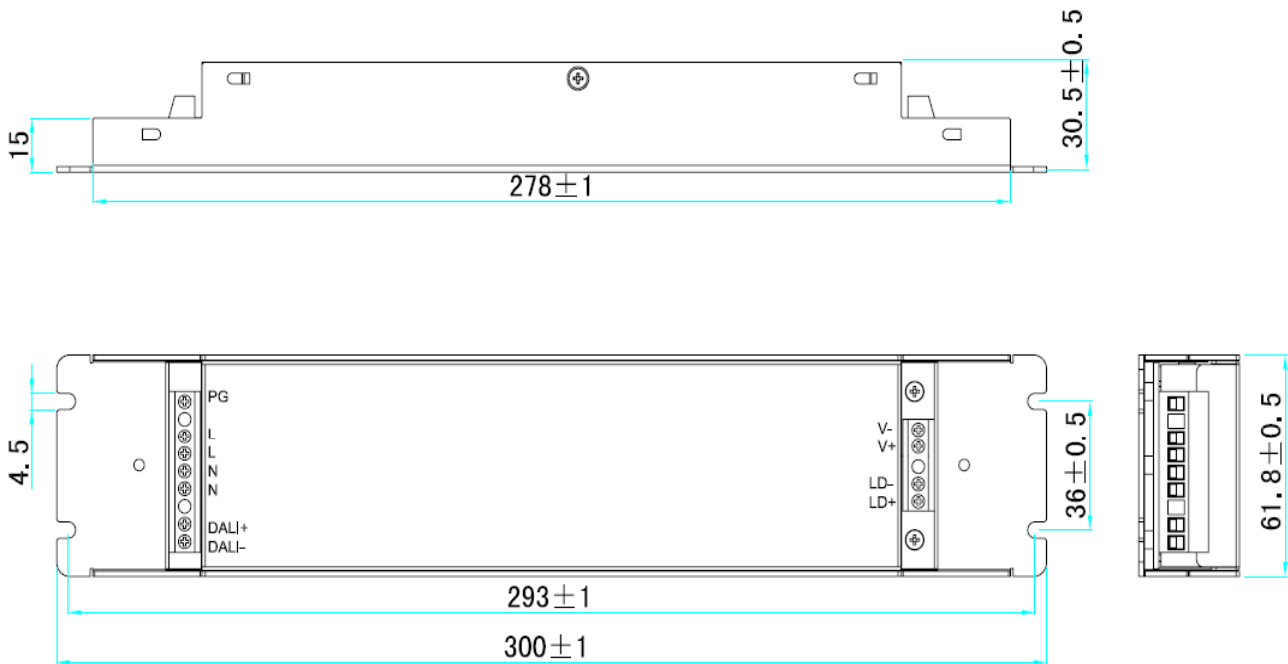
- A. Dimming levels: 10% to 100%, follow DALI Logarithmic dimming curve, continuously adjustat
- B. Turn-off function: turn-off the luminaire.
- C. With the broadcast dimming, multicast dimming, addressing dimming, various scene mode settings, brightness inquiry, fault feedback,and other functions.

Dimming Curve



■ Mechanical Specification

Dimensions(Unit:mm)



RoHS Compliance:

Our products comply with the European Directive 2002/95/EC, calling for the elimination of lead and other hazardous substances from electronic products.