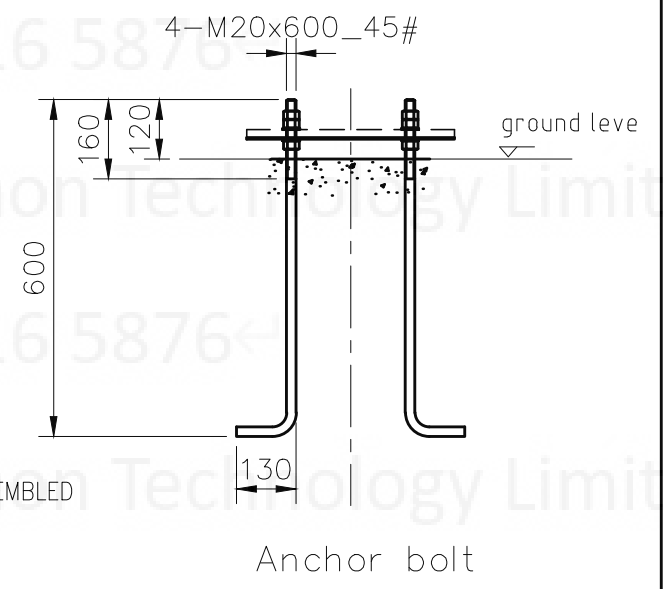
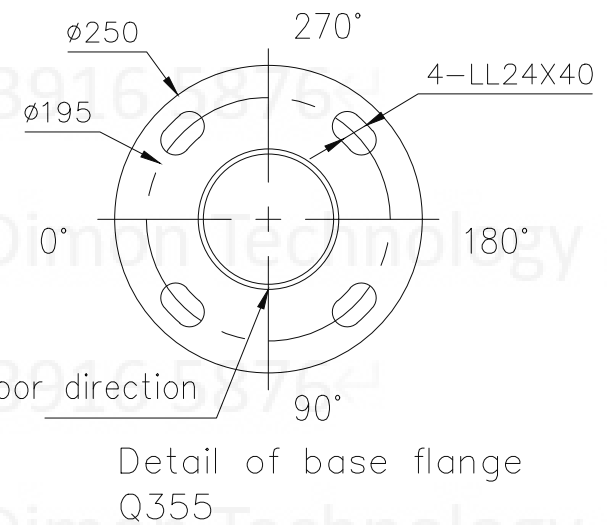
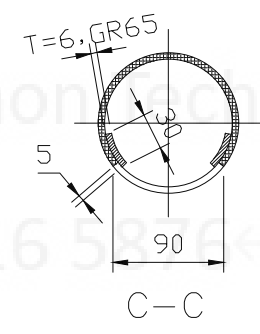
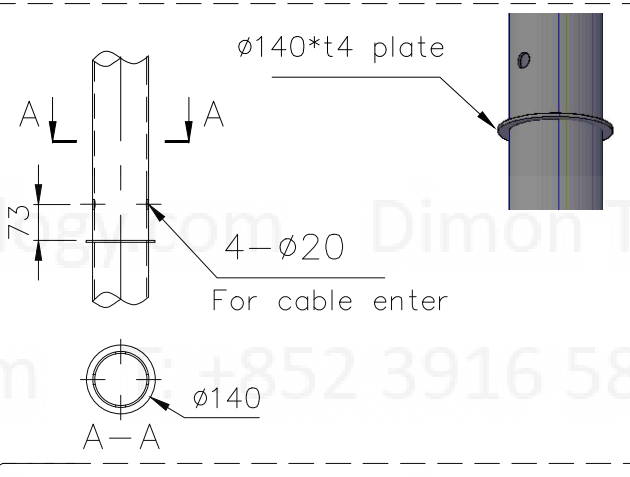


NOTES

GENERAL NOTES.

1. FIRST ANGLE PROJECTION.
2. WELDING SYMBOLS ARE TO AWS D1.1
3. HOT DIP GALVANIZED TO ASTM_A123 AND POWDER COATING RAL 9023



- NOTES:
- (1) ANCHOR BOLTS ARE GALVANIZED
 - (2) ANCHOR BOLT TO BE PROVIDED UNASSEMBLED AND INSTALLED ON-SITE.

DIMON
Technology

DIMON Technology Ltd.
Tel: 00852-3916 5876
Fax: 00852-21203398
Http: //www.dimontechnology.com
E-mail: gary@dimontechnology.com

CLIENT			
TITLE		RX Pole -Dia 114mm	
QD211672-ST033-L1-FP	DRAWN	MATERIAL	MANUFACTURING ORDER
	ENGR	THK(mm)	
A	CHECKED	WT(kg)	
REV ID	DATE	REVISION DESCRIPTION	SPECIFICATIONS
			SCALE

NOTES

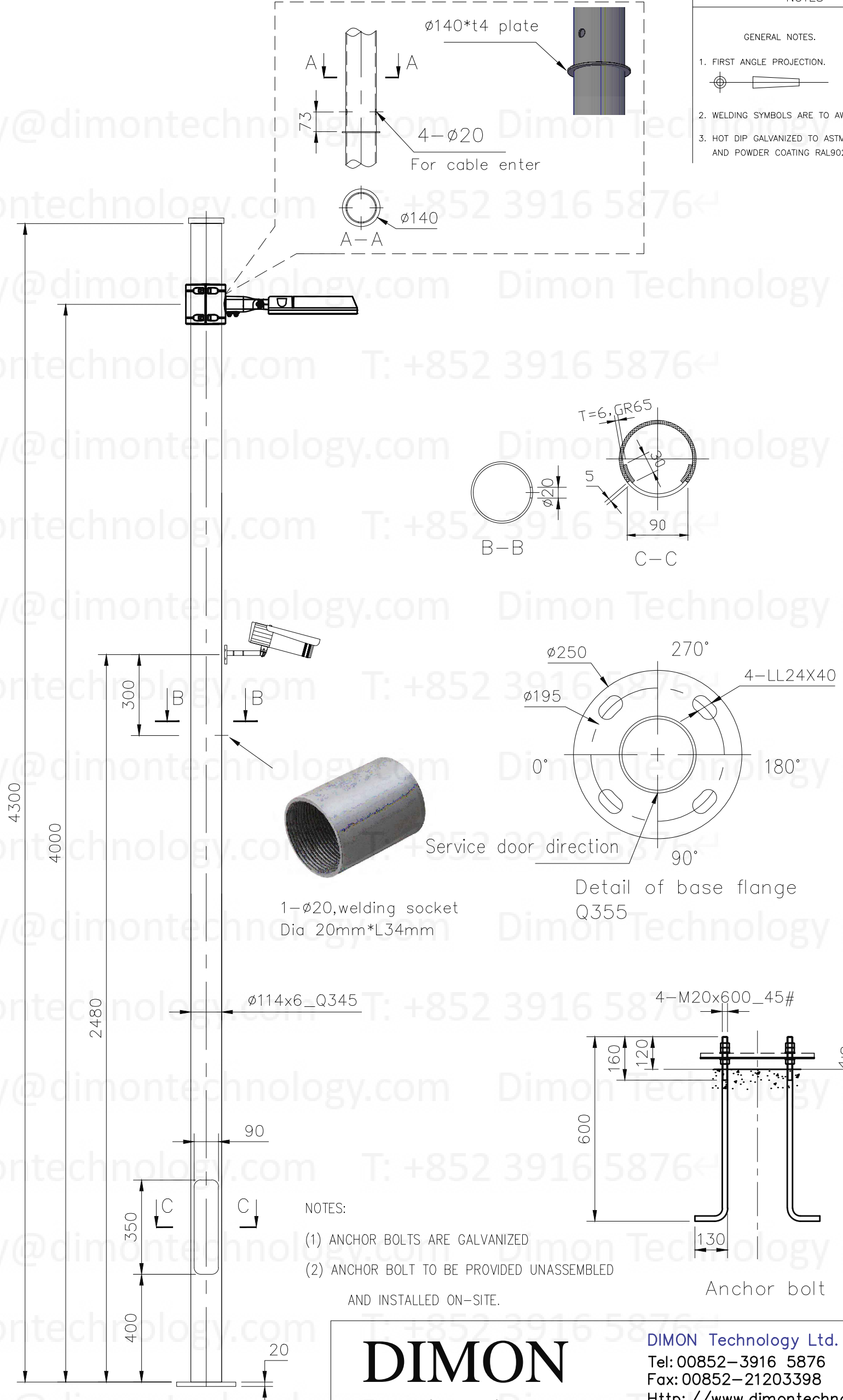
GENERAL NOTES.

1. FIRST ANGLE PROJECTION.



2. WELDING SYMBOLS ARE TO AWS D1.1

3. HOT DIP GALVANIZED TO ASTM_A123 AND POWDER COATING RAL9023



NOTES:

- (1) ANCHOR BOLTS ARE GALVANIZED
- (2) ANCHOR BOLT TO BE PROVIDED UNASSEMBLED

AND INSTALLED ON-SITE.

DIMON

Technology

DIMON Technology Ltd.

Tel: 00852-3916 5876

Fax: 00852-21203398

Http: //www.dimontechnology.com

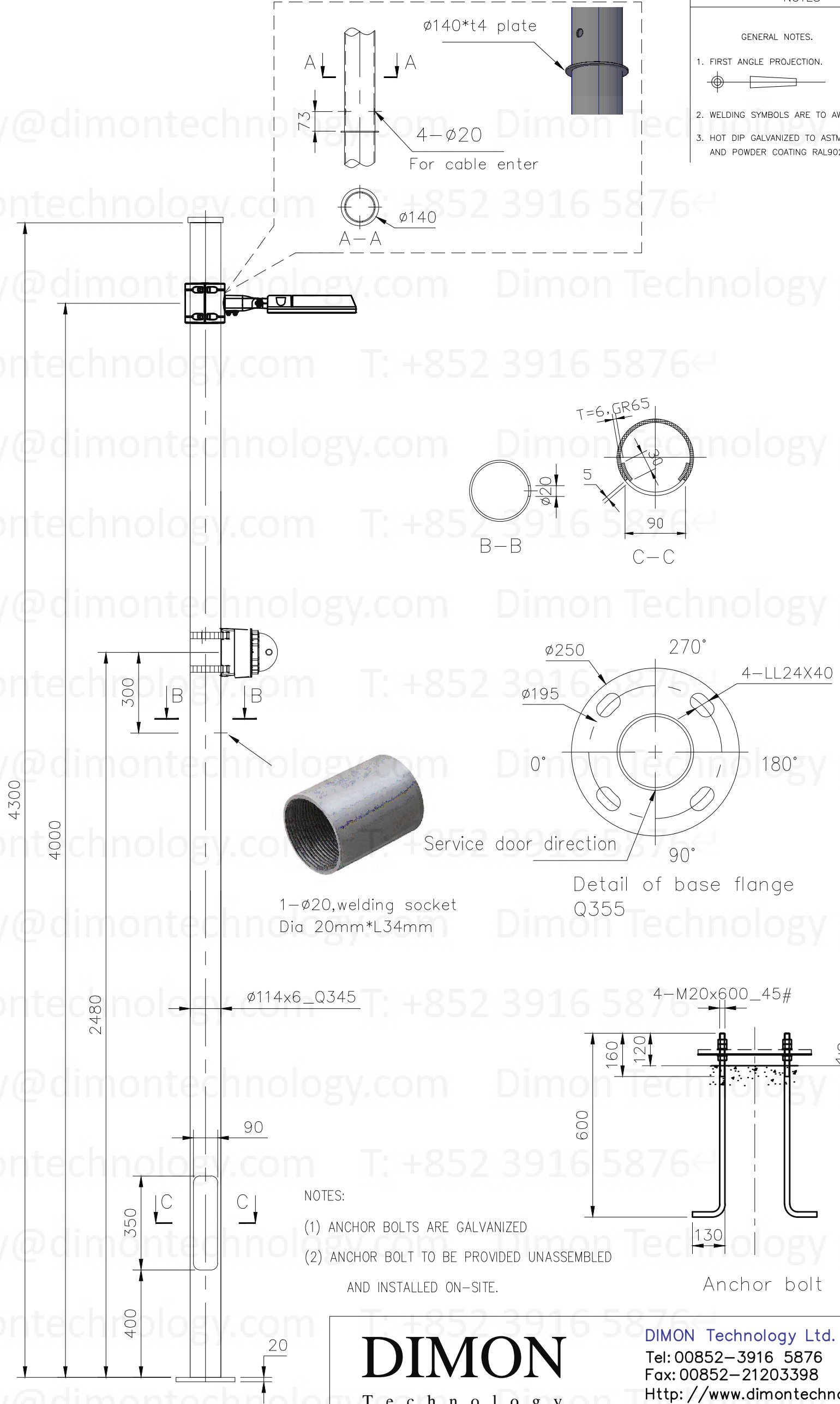
E-mail: gary@dimontechnology.com

CLIENT			
TITLE		RX Pole -Dia 114mm	
QD211672-ST043-L1 & 1#CCTV-FP	DRAWN	MATERIAL	MANUFACTURING ORDER
	ENGR	THK(mm)	
	CHECKED	WT(kg)	
REV ID	DATE	SPECIFICATIONS	SCALE

NOTES

GENERAL NOTES.

1. FIRST ANGLE PROJECTION.
2. WELDING SYMBOLS ARE TO AWS D1.1
3. HOT DIP GALVANIZED TO ASTM_A123 AND POWDER COATING RAL9023



- NOTES:
- (1) ANCHOR BOLTS ARE GALVANIZED
 - (2) ANCHOR BOLT TO BE PROVIDED UNASSEMBLED AND INSTALLED ON-SITE.

DIMON
Technology

DIMON Technology Ltd.
Tel: 00852-3916 5876
Fax: 00852-21203398
Http: //www.dimontechnology.com
E-mail: gary@dimontechnology.com

CLIENT			
TITLE		RX Pole -Dia 114mm	
QD211672-ST043-L1&1#CCTV-FP-T2	DRAWN	MATERIAL	MANUFACTURING ORDER
	ENGR	THK(mm)	
A	CHECKED	WT(kg)	
REV ID	DATE	SPECIFICATIONS	SCALE

NOTES

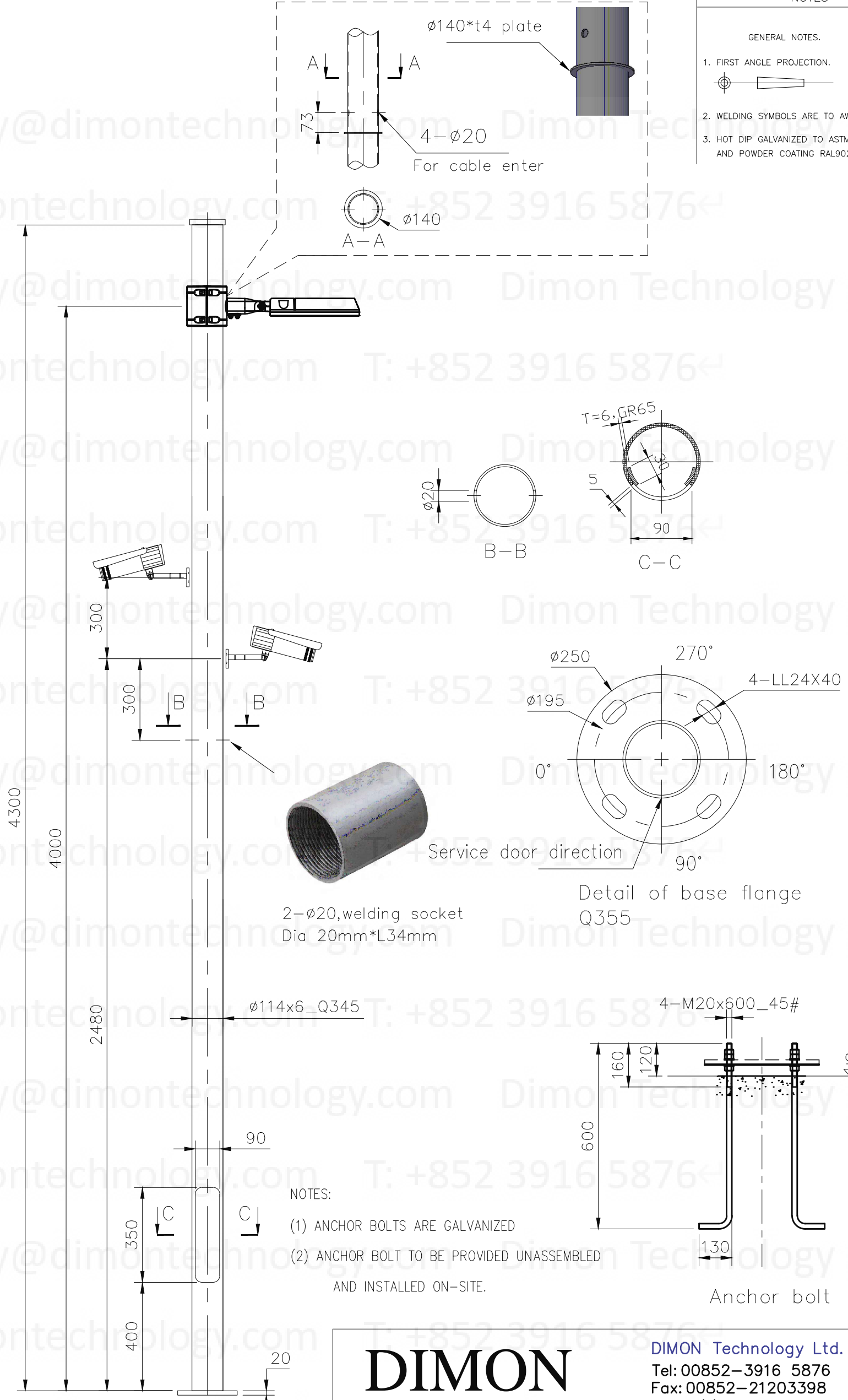
GENERAL NOTES.

1. FIRST ANGLE PROJECTION.



2. WELDING SYMBOLS ARE TO AWS D1.1

3. HOT DIP GALVANIZED TO ASTM_A123 AND POWDER COATING RAL9023



- NOTES:
- (1) ANCHOR BOLTS ARE GALVANIZED
 - (2) ANCHOR BOLT TO BE PROVIDED UNASSEMBLED AND INSTALLED ON-SITE.

DIMON
Technology

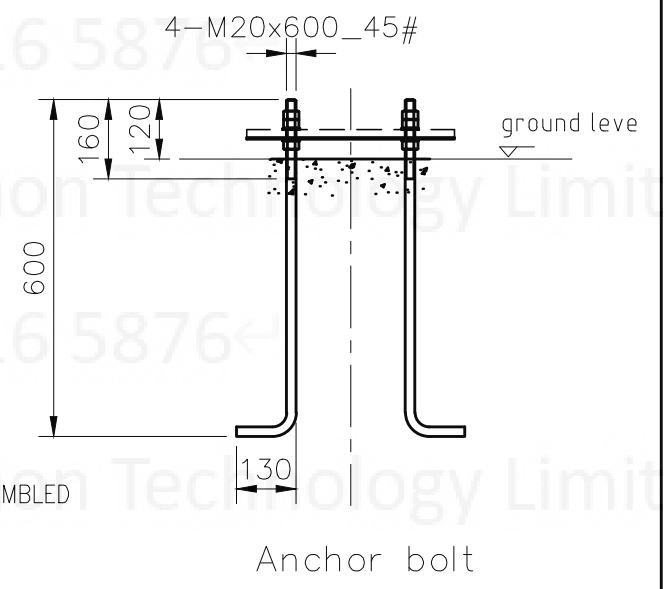
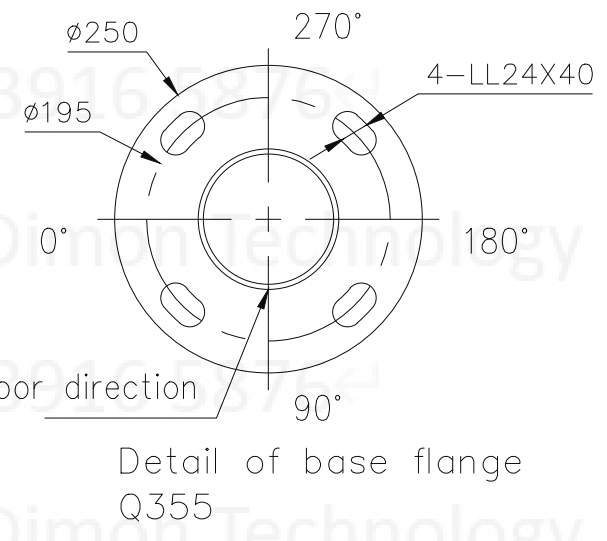
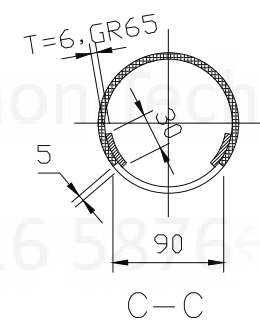
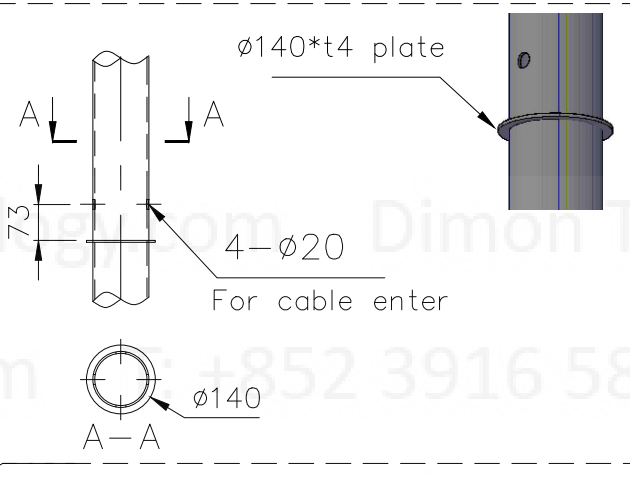
DIMON Technology Ltd.
Tel: 00852-3916 5876
Fax: 00852-21203398
Http: //www.dimontechnology.com
E-mail: gary@dimontechnology.com

CLIENT			
TITLE		RX Pole -Dia 114mm	
QD211672-ST043-L1 & 2#CCTV-FP	DRAWN	MATERIAL	MANUFACTURING ORDER
	ENGR	THK(mm)	
	CHECKED	WT(kg)	
REV ID	DATE	SPECIFICATIONS	SCALE
A			

NOTES

GENERAL NOTES.

1. FIRST ANGLE PROJECTION.
2. WELDING SYMBOLS ARE TO AWS D1.1
3. HOT DIP GALVANIZED TO ASTM_A123 AND POWDER COATING RAL9023



- NOTES:
- (1) ANCHOR BOLTS ARE GALVANIZED
 - (2) ANCHOR BOLT TO BE PROVIDED UNASSEMBLED AND INSTALLED ON-SITE.

DIMON
Technology

DIMON Technology Ltd.
Tel: 00852-3916 5876
Fax: 00852-21203398
Http: //www.dimontechnology.com
E-mail: gary@dimontechnology.com

CLIENT			
TITLE		RX Pole -Dia 114mm	
QD211672-ST043-L1-FP	DRAWN	MATERIAL	MANUFACTURING ORDER
	ENGR	THK(mm)	
	CHECKED	WT(kg)	
REV ID	DATE	REVISION DESCRIPTION	SPECIFICATIONS
			SCALE

NOTES

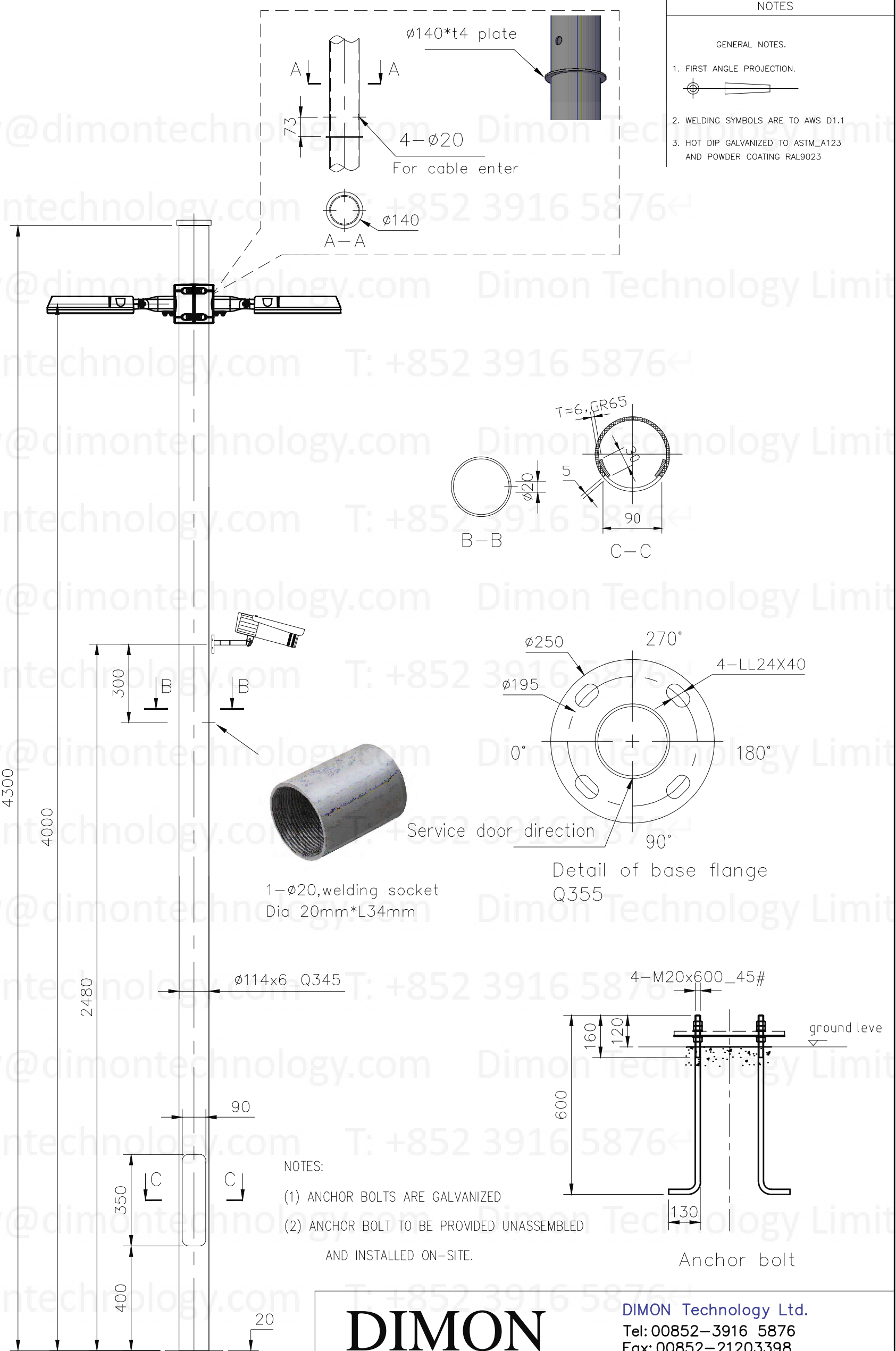
GENERAL NOTES.

1. FIRST ANGLE PROJECTION.



2. WELDING SYMBOLS ARE TO AWS D1.1

3. HOT DIP GALVANIZED TO ASTM_A123 AND POWDER COATING RAL9023



NOTES:

- (1) ANCHOR BOLTS ARE GALVANIZED
- (2) ANCHOR BOLT TO BE PROVIDED UNASSEMBLED AND INSTALLED ON-SITE.

DIMON

Technology

DIMON Technology Ltd.

Tel: 00852-3916 5876

Fax: 00852-21203398

Http: //www.dimontechnology.com

E-mail: gary@dimontechnology.com

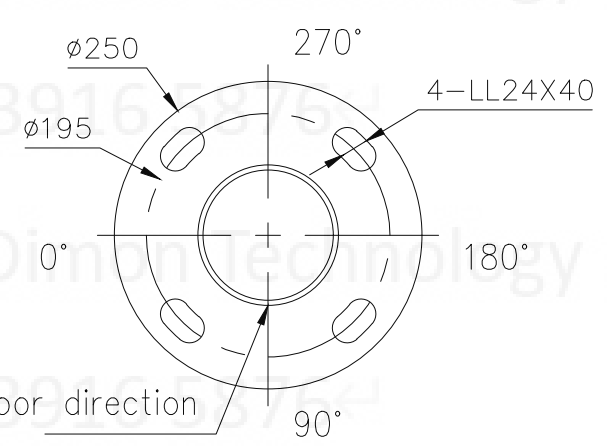
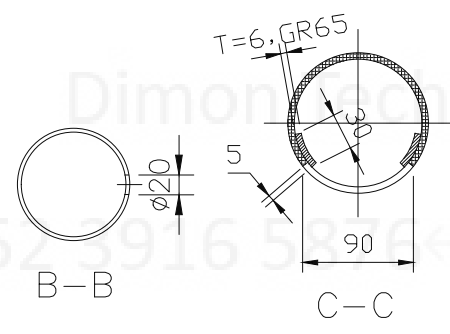
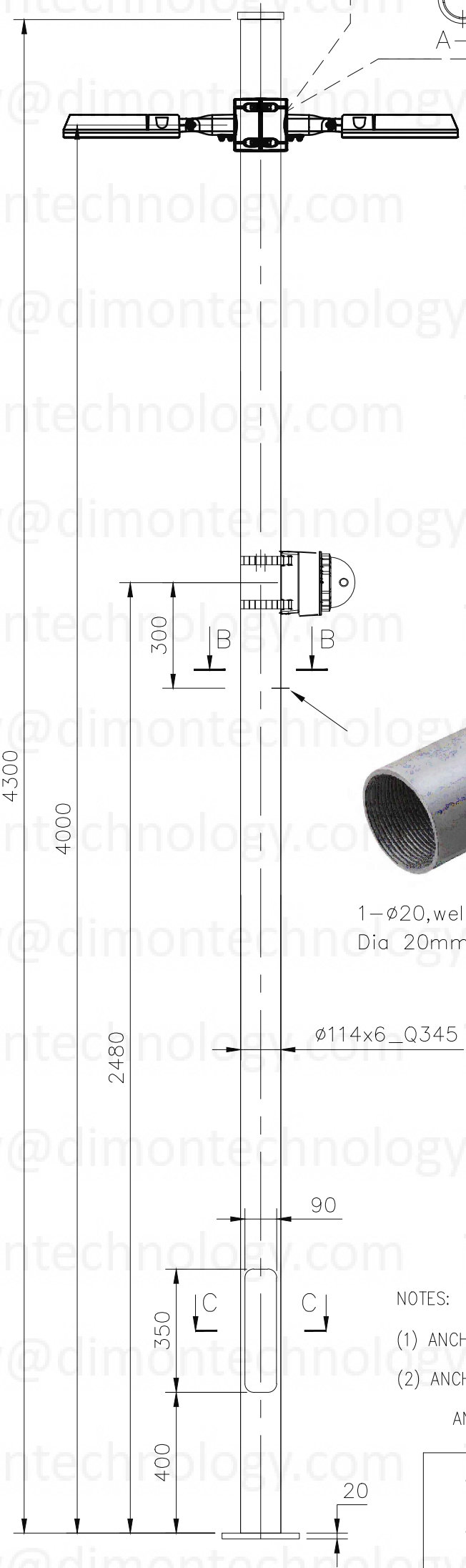
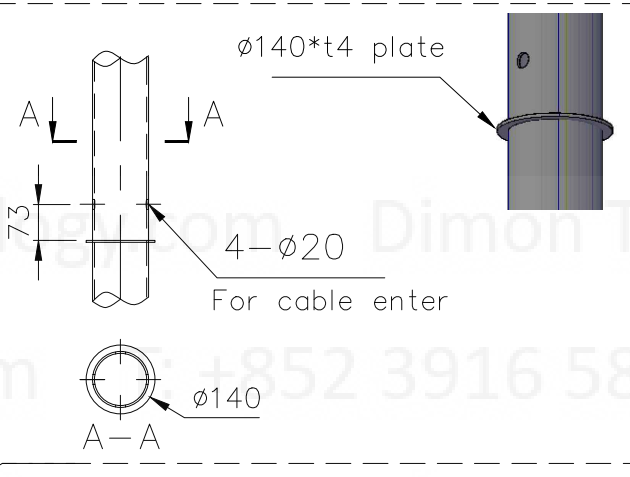
CLIENT			
TITLE		RX Pole -Dia 114mm	
QD211672-ST043-L2 & 1#CCTV-FP	DRAWN	MATERIAL	MANUFACTURING ORDER
	ENGR	THK(mm)	
	CHECKED	WT(kg)	
REV ID	DATE	SPECIFICATIONS	SCALE

REV ID	DATE	REVISION DESCRIPTION
A		

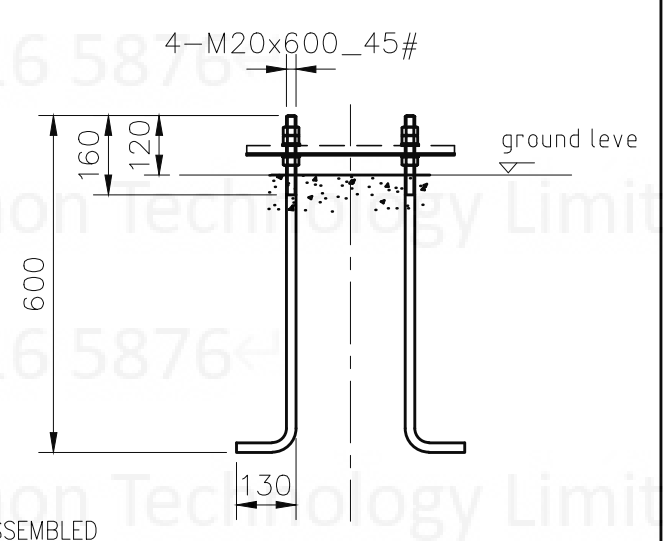
NOTES

GENERAL NOTES.

1. FIRST ANGLE PROJECTION.
2. WELDING SYMBOLS ARE TO AWS D1.1
3. HOT DIP GALVANIZED TO ASTM_A123 AND POWDER COATING RAL 9023



1- $\phi 20$, welding socket
Dia 20mm*L34mm



Anchor bolt

- NOTES:
- (1) ANCHOR BOLTS ARE GALVANIZED
 - (2) ANCHOR BOLT TO BE PROVIDED UNASSEMBLED AND INSTALLED ON-SITE.

DIMON
Technology

DIMON Technology Ltd.
Tel: 00852-3916 5876
Fax: 00852-21203398
Http: //www.dimontechnology.com
E-mail: gary@dimontechnology.com

CLIENT			
TITLE		RX Pole -Dia 114mm	
QD211672-ST043-L2&1#CCTV-FP-T2	DRAWN	MATERIAL	MANUFACTURING ORDER
	ENGR	THK(mm)	
	CHECKED	WT(kg)	
REV ID	DATE	SPECIFICATIONS	SCALE
A			
	REVISION DESCRIPTION		

NOTES

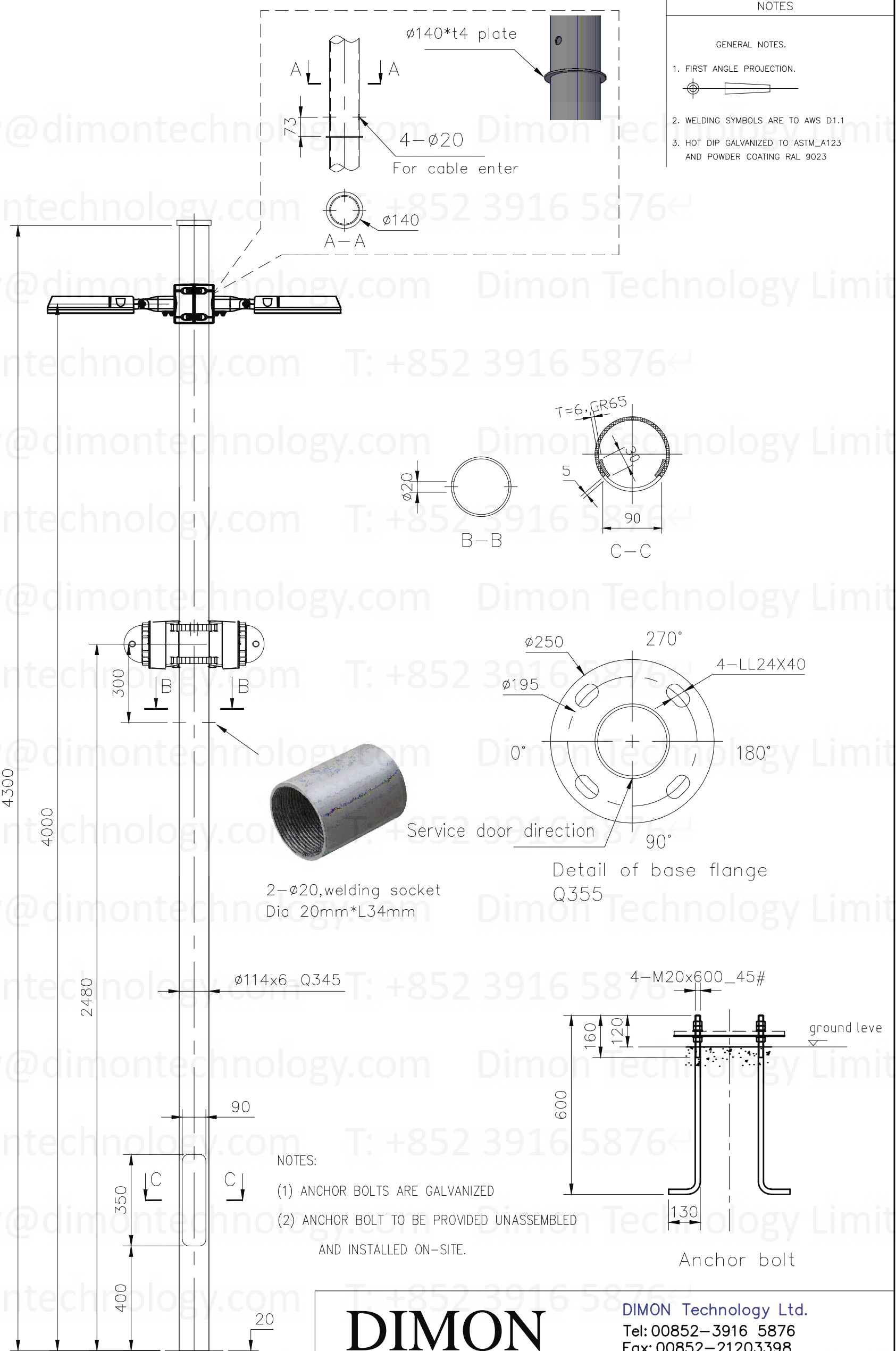
GENERAL NOTES.

1. FIRST ANGLE PROJECTION.



2. WELDING SYMBOLS ARE TO AWS D1.1

3. HOT DIP GALVANIZED TO ASTM_A123 AND POWDER COATING RAL 9023



NOTES:

- (1) ANCHOR BOLTS ARE GALVANIZED
- (2) ANCHOR BOLT TO BE PROVIDED UNASSEMBLED AND INSTALLED ON-SITE.

DIMON

Technology

DIMON Technology Ltd.

Tel: 00852-3916 5876

Fax: 00852-21203398

Http: //www.dimontechnology.com

E-mail: gary@dimontechnology.com

CLIENT

TITLE

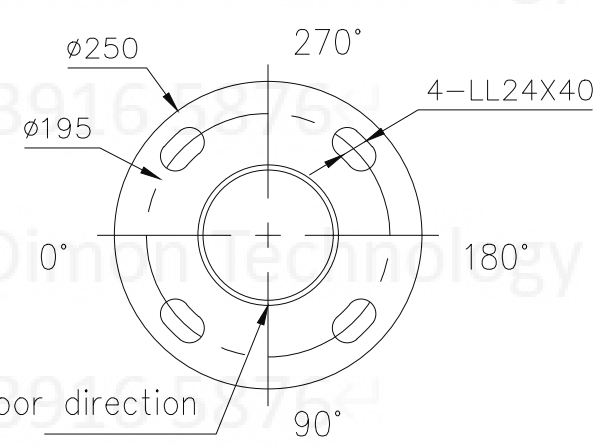
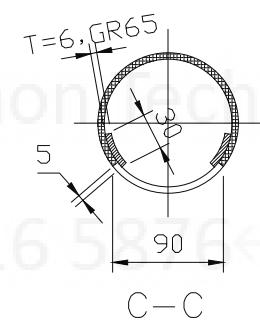
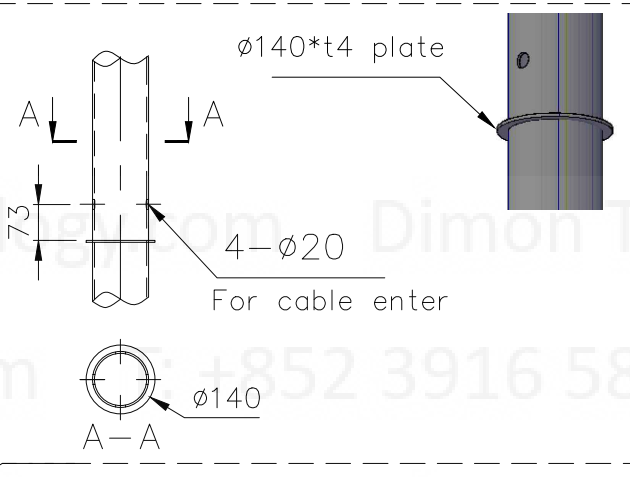
RX Pole -Dia 114mm

QD211672-ST043-L2&2#CCTV-FP-T2	DRAWN	MATERIAL	MANUFACTURING ORDER
	ENGR	THK(mm)	
	CHECKED	WT(kg)	
REV ID: DATE	REVISION DESCRIPTION	SPECIFICATIONS	SCALE

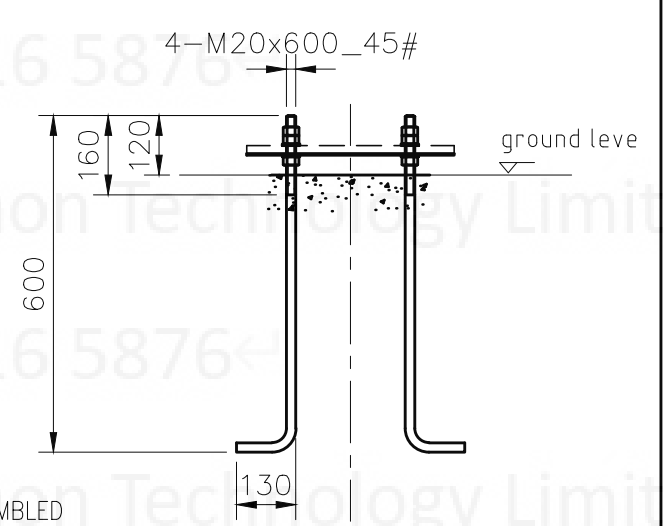
NOTES

GENERAL NOTES.

1. FIRST ANGLE PROJECTION.
2. WELDING SYMBOLS ARE TO AWS D1.1
3. HOT DIP GALVANIZED TO ASTM_A123 AND POWDER COATING RAL 9023



Detail of base flange Q355



Anchor bolt

NOTES:

- (1) ANCHOR BOLTS ARE GALVANIZED
- (2) ANCHOR BOLT TO BE PROVIDED UNASSEMBLED AND INSTALLED ON-SITE.

DIMON
Technology

DIMON Technology Ltd.
Tel: 00852-3916 5876
Fax: 00852-21203398
Http: //www.dimontechnology.com
E-mail: gary@dimontechnology.com

CLIENT			
TITLE		RX Pole -Dia 114mm	
QD211672-ST043-L2-FP	DRAWN	MATERIAL	MANUFACTURING ORDER
	ENGR	THK(mm)	
A	CHECKED	WT(kg)	
REV ID	DATE	REVISION DESCRIPTION	SPECIFICATIONS
			SCALE