

A SECTION
SCALE 1:8

Drawing Status :

Ref NO.:

Client
澳門特別行政區政府
GOVERNO DA RAEM
運輸基建辦公室
G.I.T. - Gabinete para as Infra-estruturas de Transportes

Management:

Supplier:

DIMON
Technology

DIMON Technology Ltd.
Tel: 00852-3916 5876
Fax: 00852-21203398
Http://www.dimontechnology.com
E-mail: gary@dimontechnology.com

Project:
新城A區B10地段公共房屋建造工程
EMPREITADA DE CONSTRUÇÃO DE
HABITAÇÃO PÚBLICA

Job Title:
NO LOTE B10 NA NOVA ZONA A

Drawing Name:
GLASS CANOPY SECTION

Drawing NO.: GC-201

Drawing Scale: AS SHOW

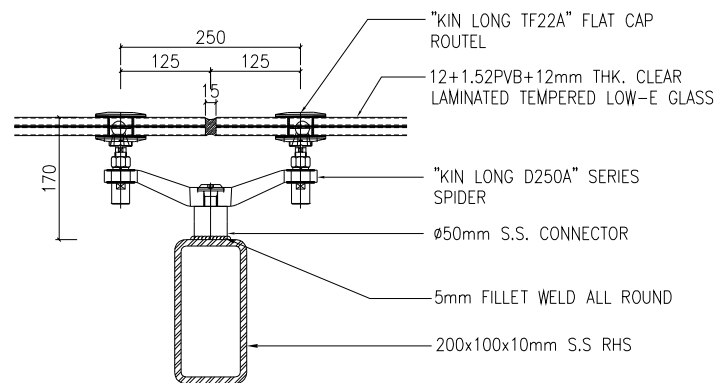
Drawing Date: 2020/10/10

Drawing: Cai

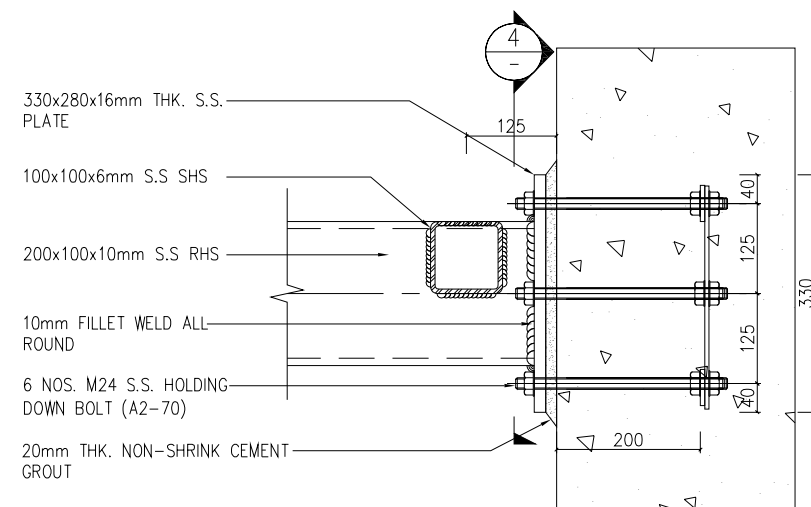
Collate: Joyi

Auditing: Gray Hui

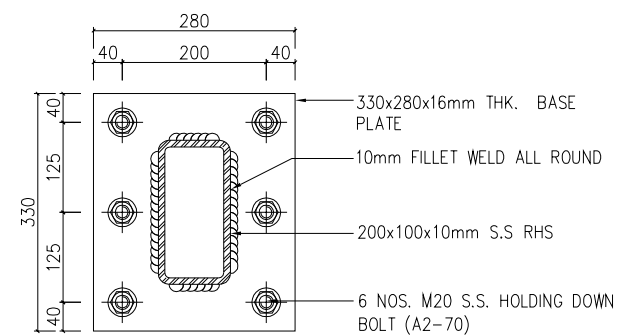
Drawing Version: 0



1 DETAIL
SCALE 1:5



3 DETAIL
SCALE 1:5



4 DETAIL
SCALE 1:5

Drawing Status :

Ref NO.:

Client

澳門特別行政區政府
GOVERNO DA RAEM
運輸基建辦公室
G.I.T. - Gabinete para as Infra-estruturas de Transportes

Management:

Supplier:

DIMON
Technology

DIMON Technology Ltd.

Tel: 00852-3916 5876
Fax: 00852-21203398
Http://www.dimontechnology.com
E-mail: gary@dimontechnology.com

Project:

新城A區B10地段公共房屋建造工程
EMPREITADA DE CONSTRUÇÃO DE
HABITAÇÃO PÚBLICA

Job Title:

NO LOTE B10 NA NOVA ZONA A

Drawing Name:

GLASS CANOPY DETAIL

Drawing NO.: GC-202

Drawing Scale: AS SHOW

Drawing Date: 2020/10/10

Drawing: Cai

Collate: Joyi

Auditing: Gray Hui

Drawing Version: 0