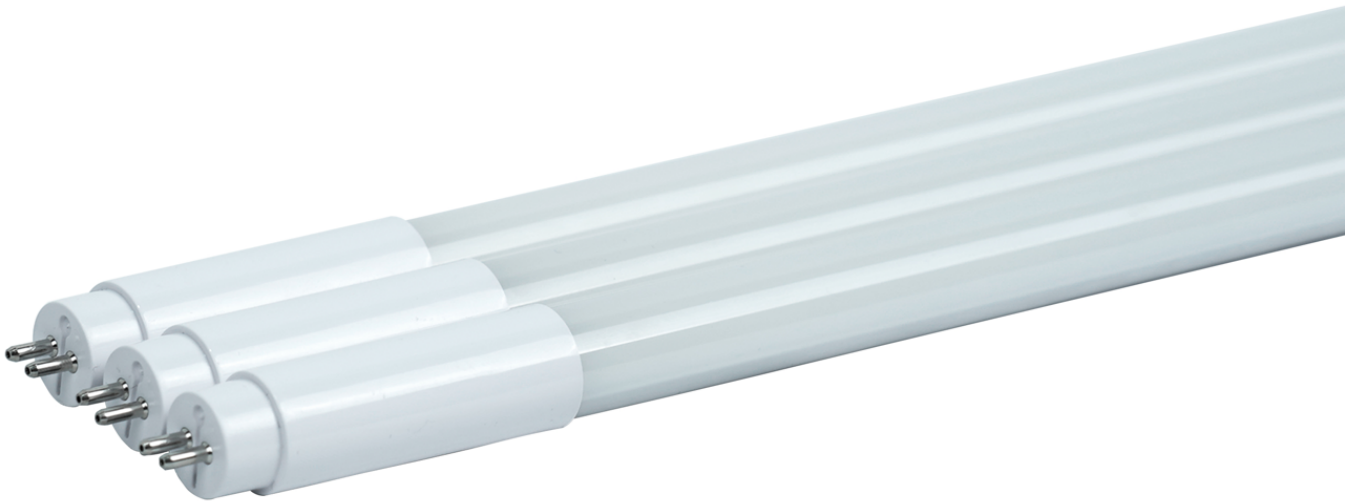


TUHO

Flicker-Free Ultra High Efficiency LED T5 Tube

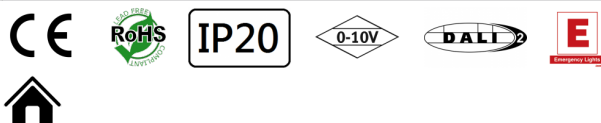


- T5 LED tube made of glass with PET protection
 - High lumen efficacy: up to 180lm/W
 - PF>0.9 THD<20%
 - Quick, simple and safe replacement for traditional T-5 Fluorescent tube.
 - Reduced operational cost due to lower energy consumption.
 - Lower maintenance cost thanks to longer lifetime than traditional Fluorescent.
- Application:
- Train Station, Office, Underground subway, Supermarket, retail store, Parking lot, Warehouse.

Technical Data

Cap base / 燈腳 / Base de la tapa	G5
Dimension / 尺寸 / Dimensión	2 feet 548mm (562mm) 4 feet 1148mm (1162mm) 5 feet 1448mm (1462mm)
Input Voltage / 輸入電壓 / Voltaje de entrada	AC 200-240V 50/60Hz DC 36V Input for 0/1-10V / DALI Dimming
Power Consumption / 燈具功率 Consumo de energía	2 ft @ 6W 7W 4 ft @ 12W 13W 14W 15W 5 ft @ 14W 15W
Power factor / 功率因數 / Factor de potencia	PF > 0.9
Total Harmonic Distortion / 總諧波失真 Distorsión armónica total	< 20%
Beam Angle / 光束角 / ángulo de haz	120°
Light Source Brand / 光源品牌 Fuente de luz de marca	Everlight / Runlite
Photobiological safety (IEC 62471) 光生物安全檢驗(ICE 62471) Seguridad fotobiológica (IEC 62471)	Low Risk Group 1 (RG 1) 低風險組1 (RG 1) Grupo de bajo riesgo 1 (RG 1)
LED Life / LED壽命 / La vida del LED	>100,000 Hours
Lumen Maintenance TM-21 L70	L70 >50,000 Hours
Color Temperature / 色溫 Temperatura del color	3000K 4000K 5000K 5700K 6500K
Color Rendering Index / 顯色指數 Índice de reproducción cromática	> 80
MacAdam Ellipses Binning 麥克亞當橢圓分級 Mac Adam binning elipse	Standard Deviation Colour Matching < 5 SDCM 標準偏差配色 < 5 SDCM Coincidencia de color estándar Desviación < 5 SDCM
Luminaire Efficacy / 燈具效率 La eficacia de la luminaria	Advance Series 155 LM/W @ 3000K 160 LM/W@ 4000K 160LM/W@ 5000K 165 LM/W @ 5700K 165 LM/W@ 6500K High Efficiency Series 175 LM/W @ 3000K 180 LM/W@ 4000K 180 LM/W@ 5700K 185 LM/W @ 5000K 185 LM/W@ 6500K
Housing materials / 外殼材料 Materiales de la carcasa	Glass with PET Protection Film 玻璃和PET保護薄膜 Vidrio con película protectora de PET
Surge Protection / 浪涌保護 Protección contra sobretensiones	2KV
Ingress Protection / 防護等級 Protección de ingreso	IP20
Operating Temperature Range / 工作溫度範圍 Rango de temperatura de funcionamiento	-20 °C / + 45 °C
Operating Humidity / 工作濕度 Humedad de funcionamiento	0~90%, non-condensing / 不結霜 sin condensación
Comply Testing Standard / 符合測試標準 Cumplir el estándar de prueba	EN/IEC 60598-1 ; EN/IEC60598-2-1 ; EN / IEC 60598-2-2 TR62778 EN/IEC 62031; EN60838-2-2 ; EN 62493;EN/IEC 61347-1; EN/IEC 61347-2-13; IEC 62384 EMC EN55005 ; EN 61000-3-2 ;EN 61000-3-3; EN 61547 ; IEC62384 ; IEC 62560:2011;IEC 62612; IEC 62766-1; IEC 62766-2-1 ROHS ; TM21

Certification / 認證 / Certificación



Project	Fixture#	Date
		Firm

Ordering Information

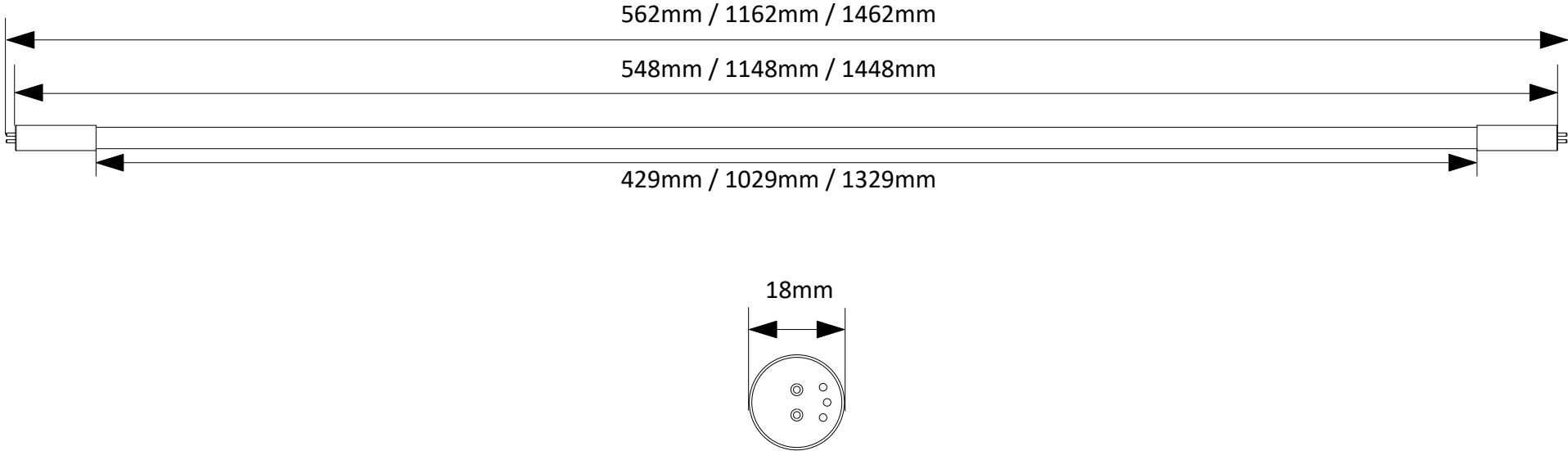
Choose the option that suits your need and write its corresponding code on the appropriate line to form the product code.

Example product code: [TUHO-12W](#)

TUHO - - _____
Power Consumption

Power Consumption	
Code	Description
6W	6W @ 2 feet
7W	7W @ 2 feet
12W	12W @ 4 feet
13W	13W @ 4 feet
14W	14W @ 4 feet
15W	15W @ 4 feet
14W	14W @ 5 feet
15W	15W @ 5 feet





BEAM ANGLE

