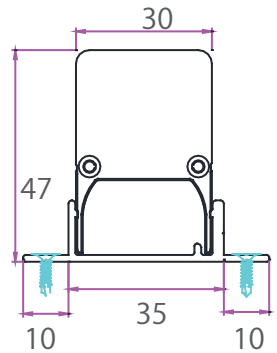
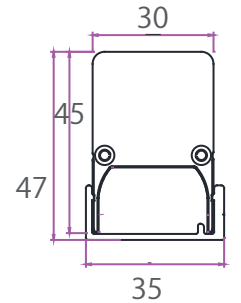
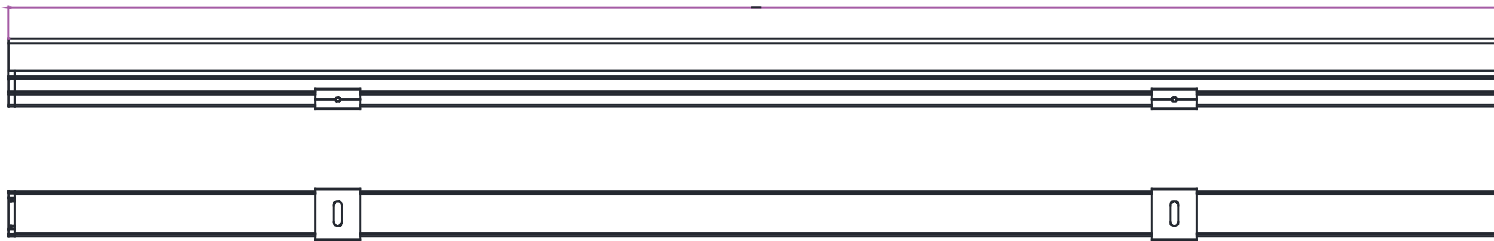


Technical Drawing

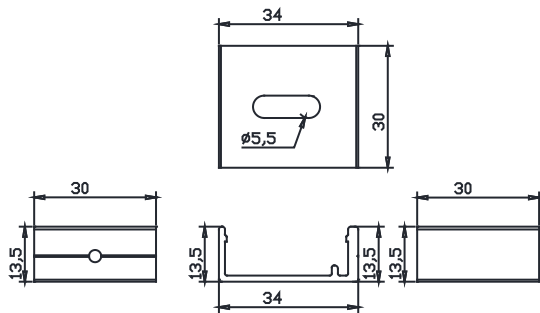


Surface Mount Bracket -B

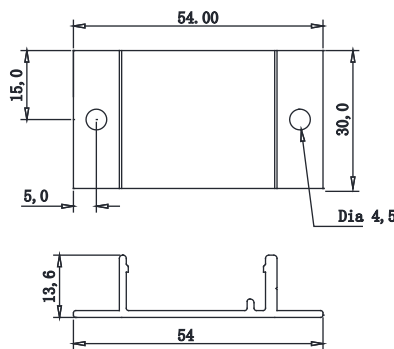
L: 250 / 500 / 1000mm



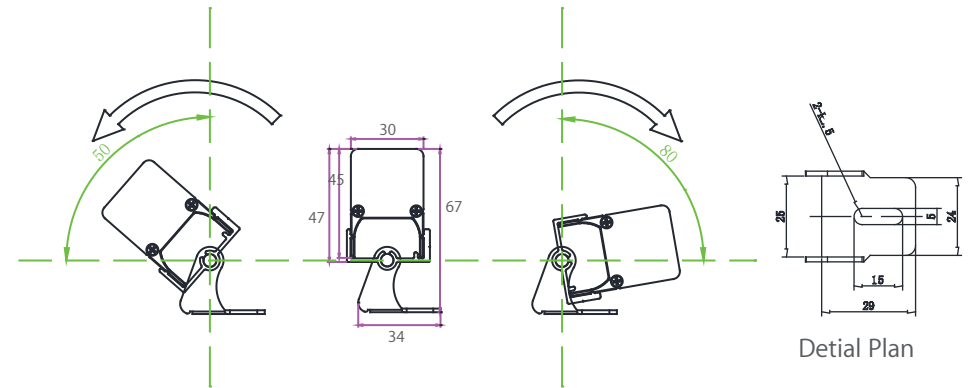
Surface Mount Bracket -A



Surface Mount Bracket -A



Surface Mount Bracket -B



Ajustable Bracket
Rotation: +50deg / -80deg

Unit: mm