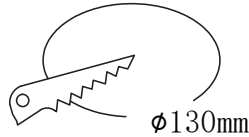
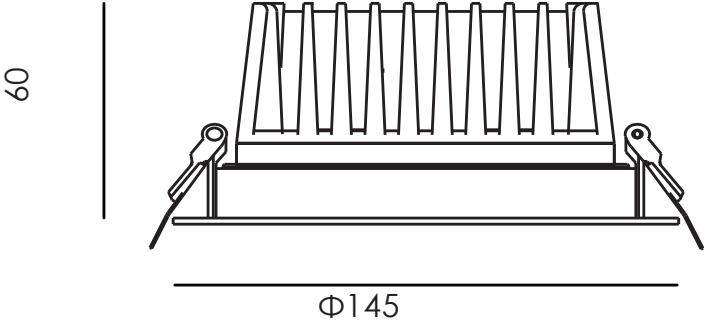
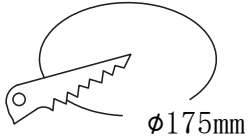
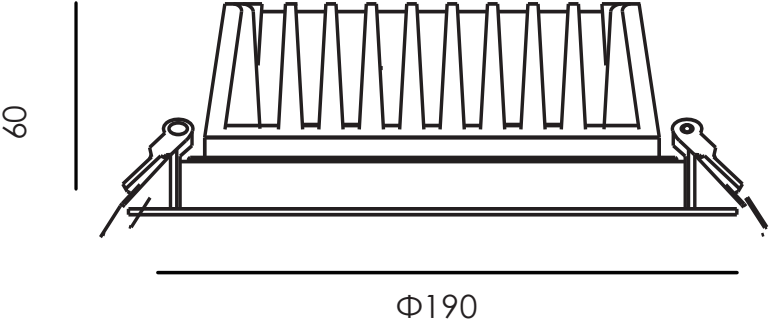


Technical Drawing



9W-15W



18W-32W

Unit: mm