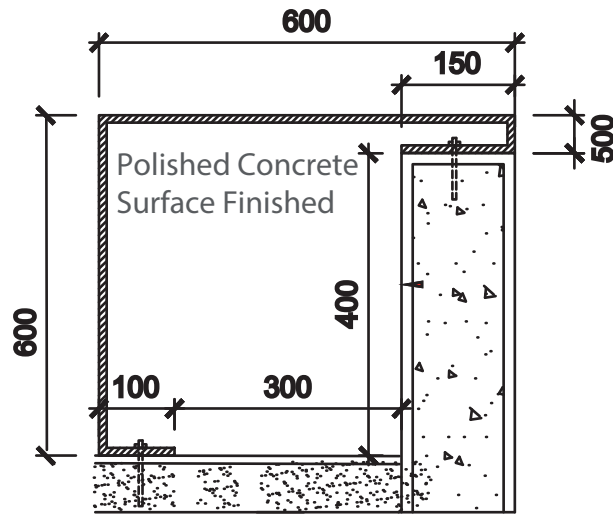
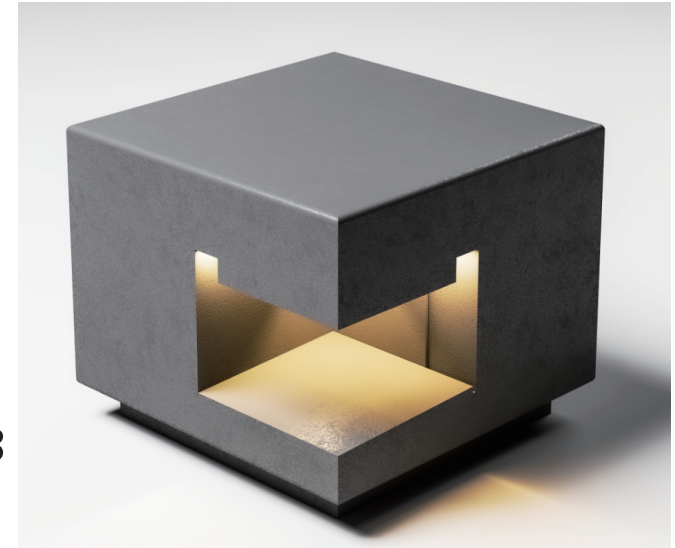
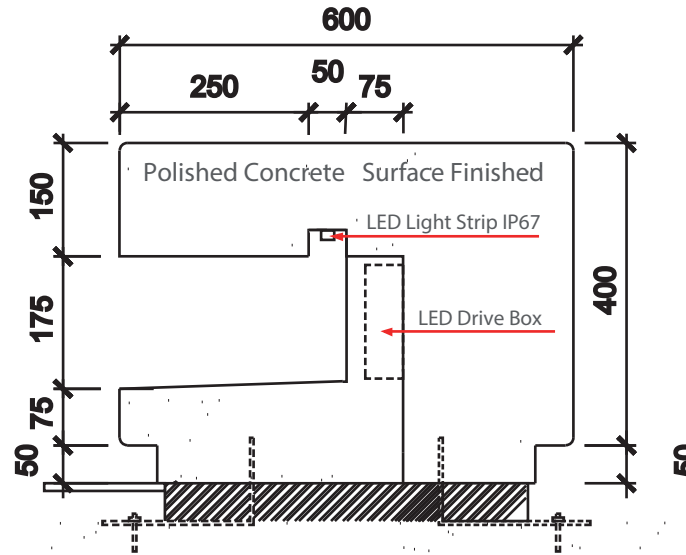


Technical Drawing

Type B

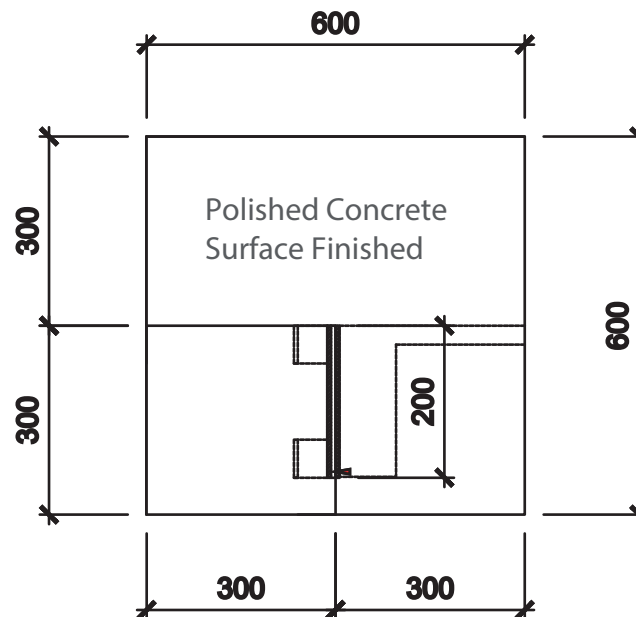
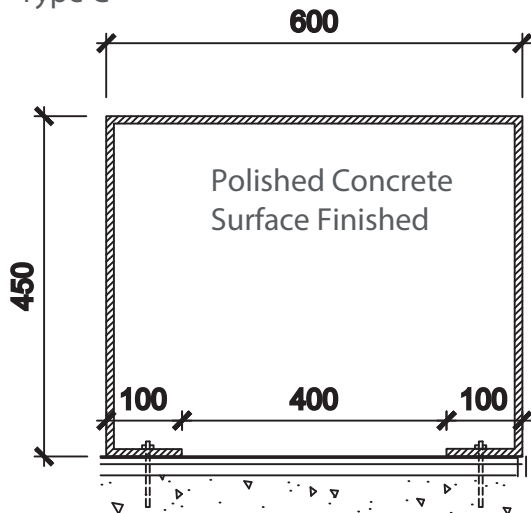


Type A
(with LED Strip Light)



Type A
(with LED Strip Light)

Type C



Plan Layout

Unit: mm