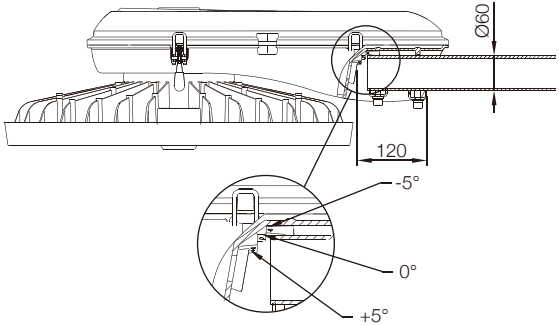
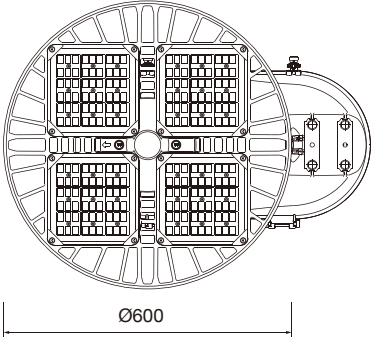
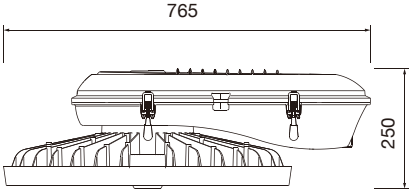


Technical Drawing



Surface mounted bracket



Hung mounted

Unit: mm