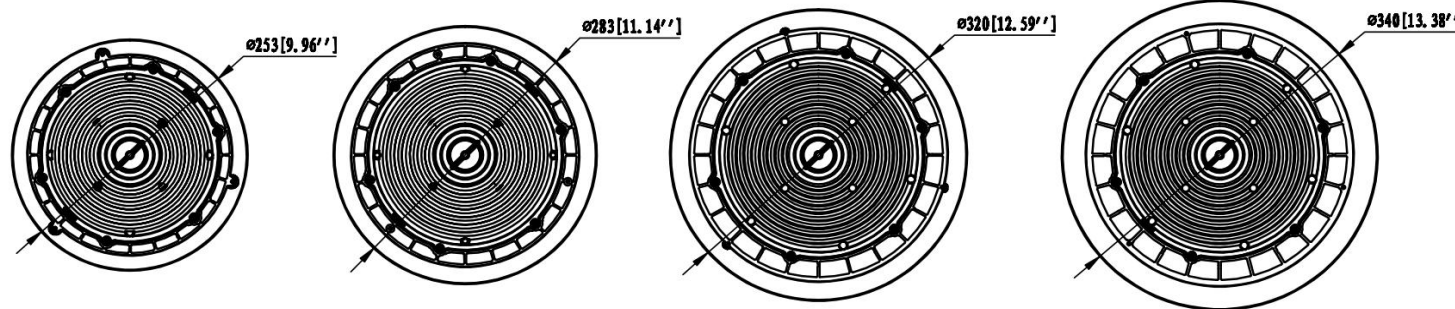
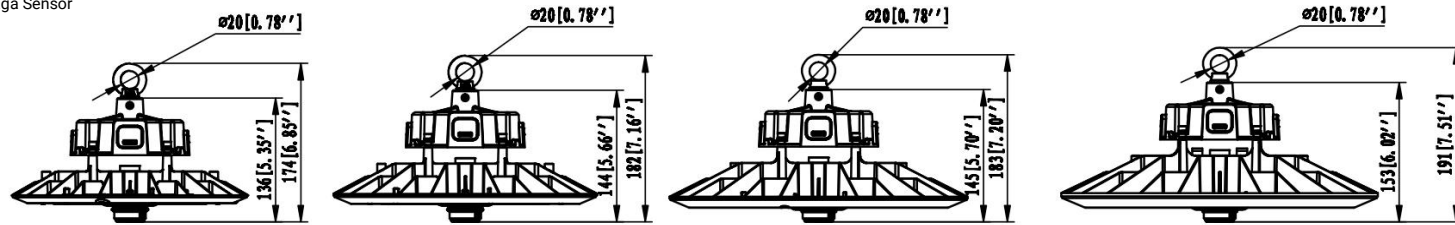


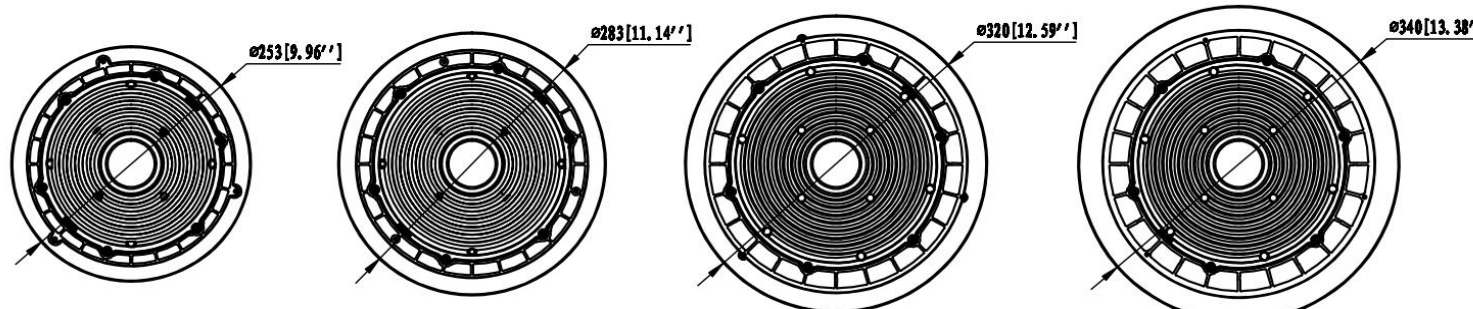
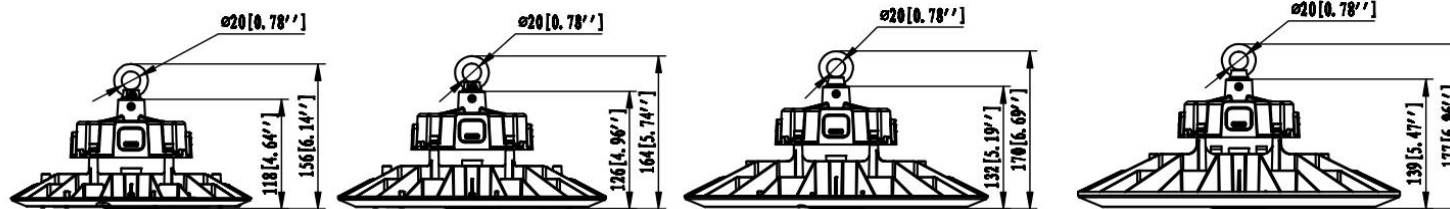
Technical Drawing

Unit:mm/inch

Zhaga Sensor



1pin/ No Sensor



100W

150W

200W

240W

Accessories



PC reflectors
90° PC reflector with lid Code:
00C73A+00C01B

(100W-150W)
Code: 00C01A+00C01B
(200W-240W)



Aluminum Reflector
90° AL reflector

Code: 00D05-01 (100W-150W)
Code: 00D02 (200W-240W)



Safety chain
201 stainless steel, available
for 0.5m long.

Code: C-H54-01



**Zhaga Microwave
Motion Sensor**

zhaga



Zhaga PIR Sensor

zhaga



**CASAMBI ready wireless
module**

zhaga



Microwave motion sensor
12Vdc input, IP65 rating,
max detect height is 15m.

1pin
Code: NT-5-4T



PIR sensor
12Vdc input, IP65 rating, max
detect height is 15m.

1pin
Code: NT-6-4T



Remote controller
For
NT-5-4T
NT-6-4T

Code: C-100



±30° adjustable bracket SPCC
materials with outdoor powder coating.

Code: BC-01



**±45deg adjustable
bracket**
SPCC materials with outdoor powder
coating.

Code: BC-02



Remote controller
For
HD06VCRH 7B/HD06VCRH 7C

Code: D05R