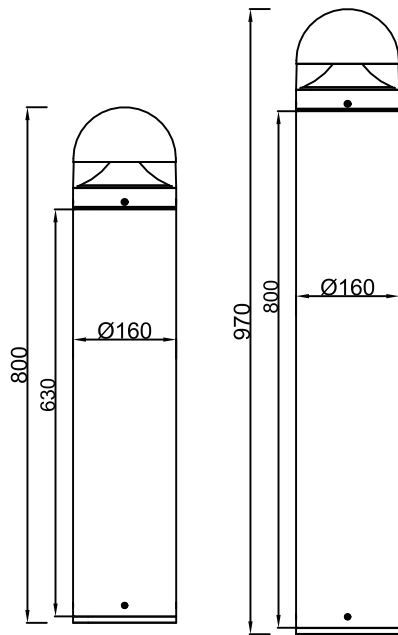
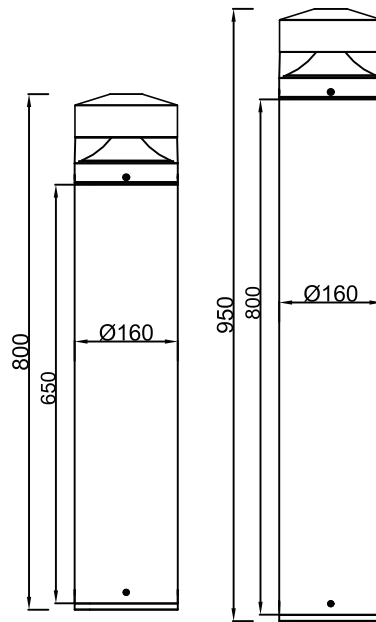


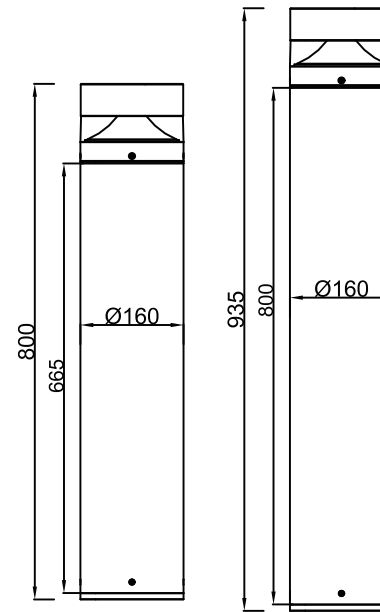
Technical Drawing



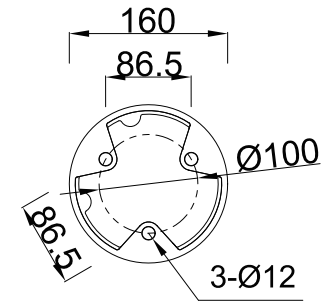
Type A



Type B



Type C



Unit: mm