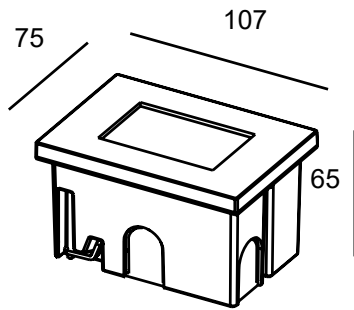
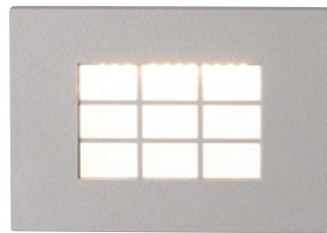
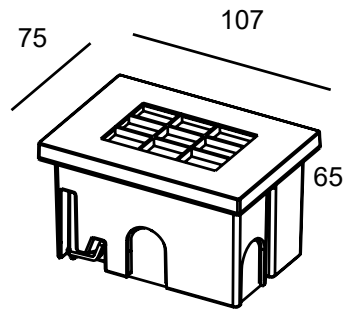


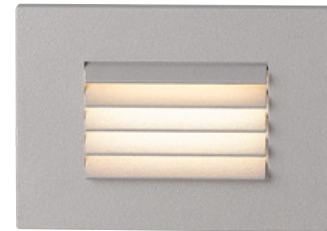
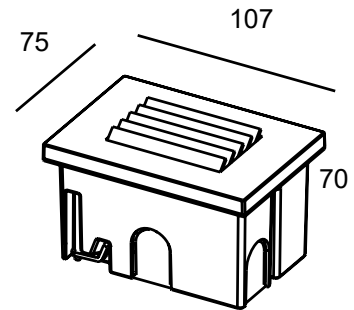
# Technical Drawing



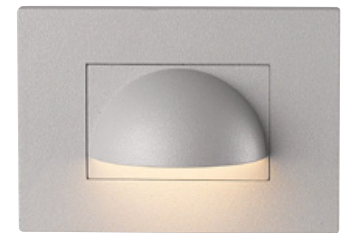
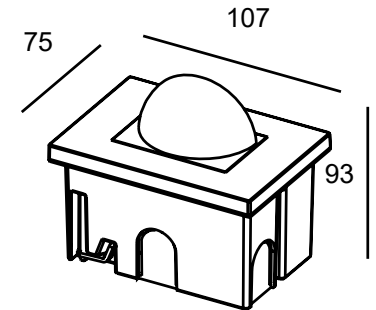
**Cover Type: A**



**Cover Type B**



**Cover Type C**



**Cover Type: D**

Unit: mm